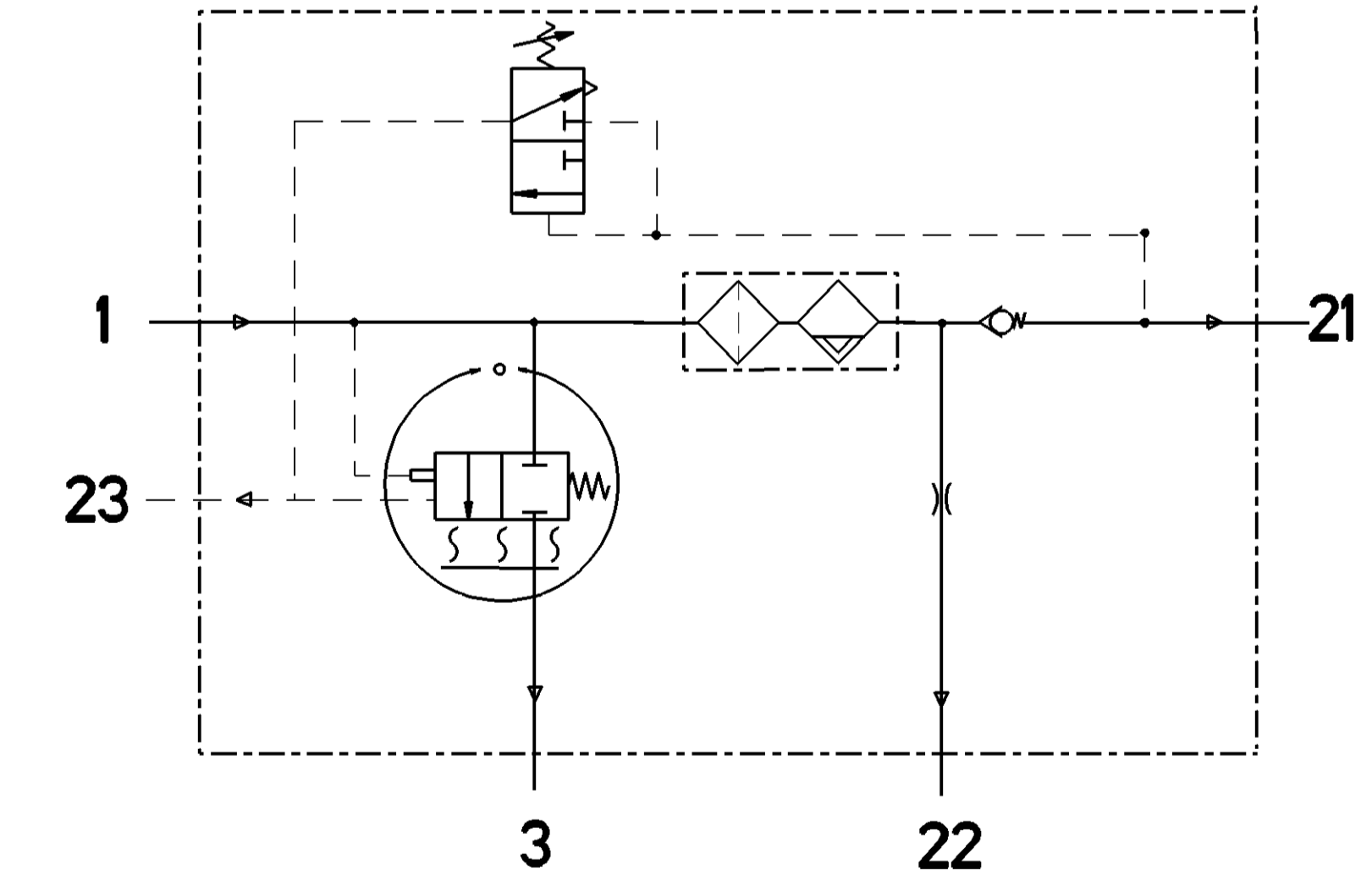
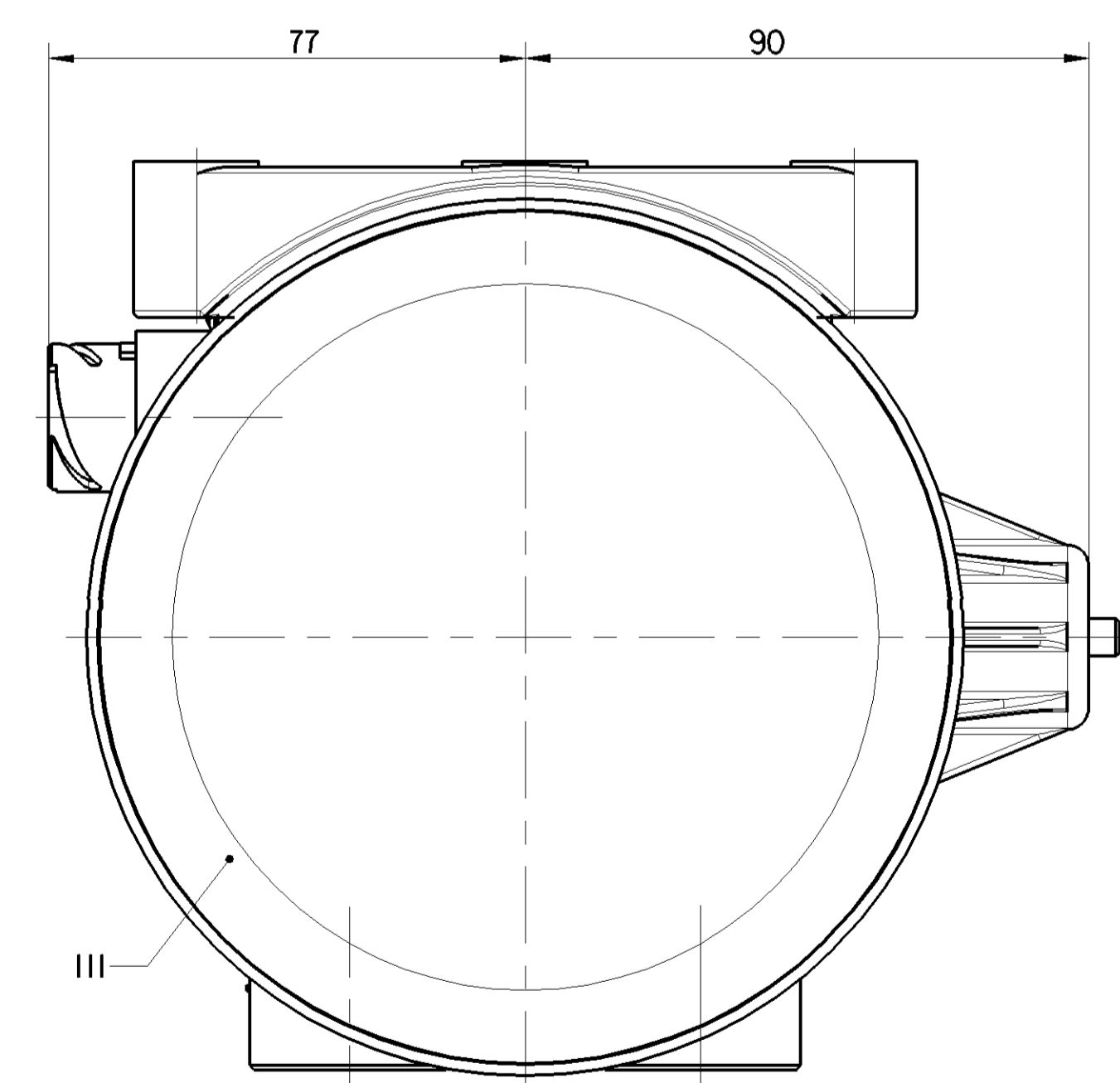
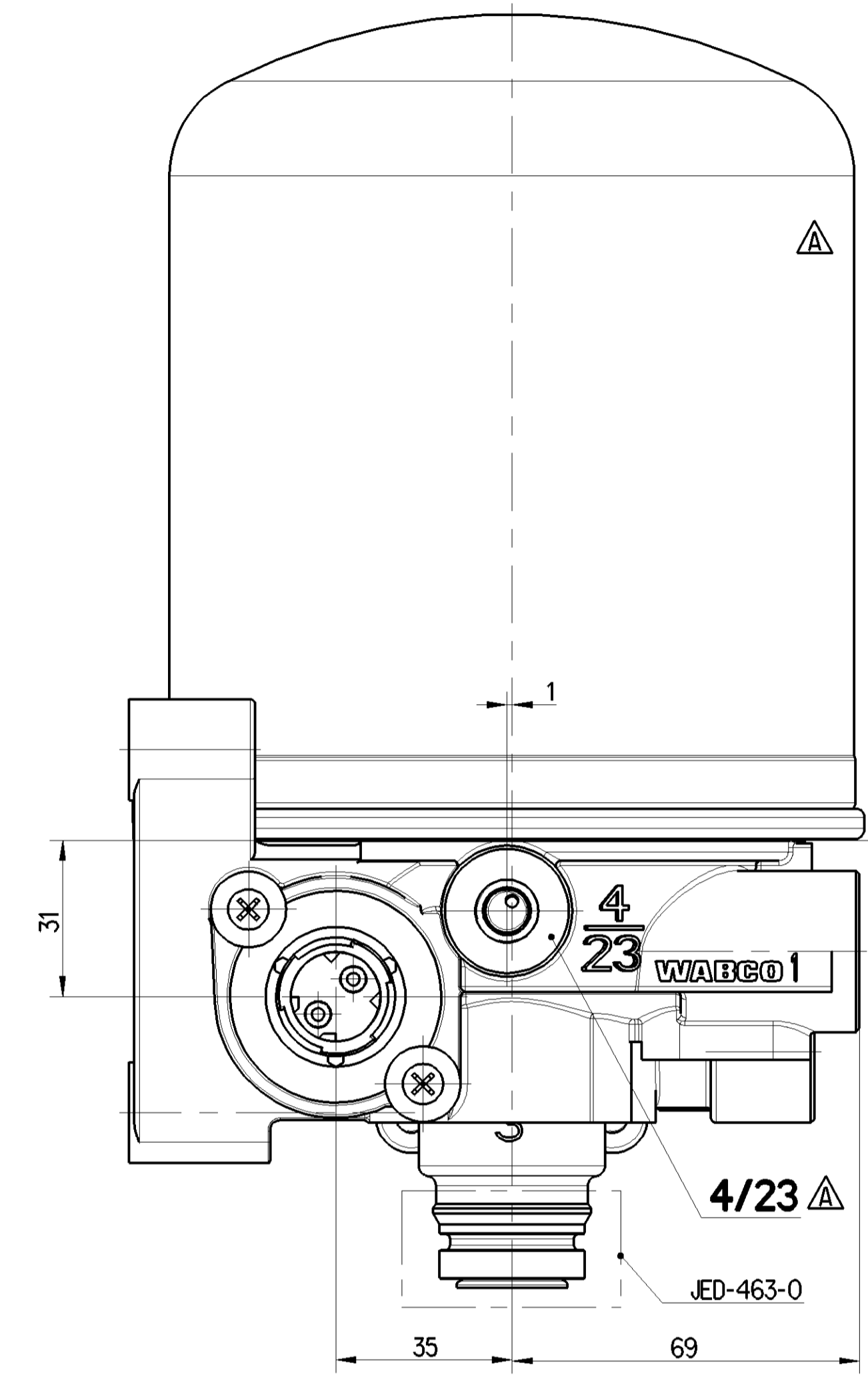
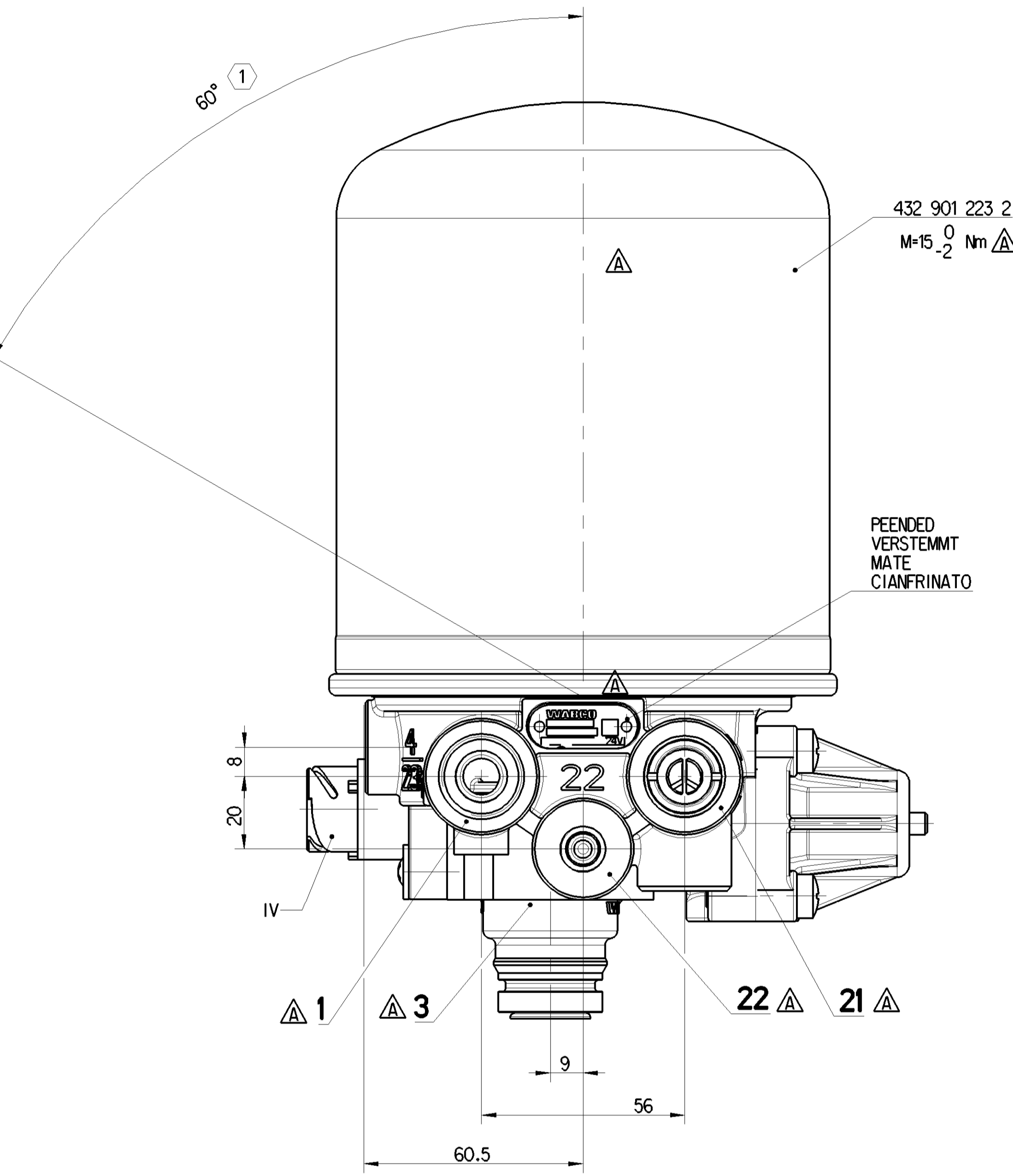
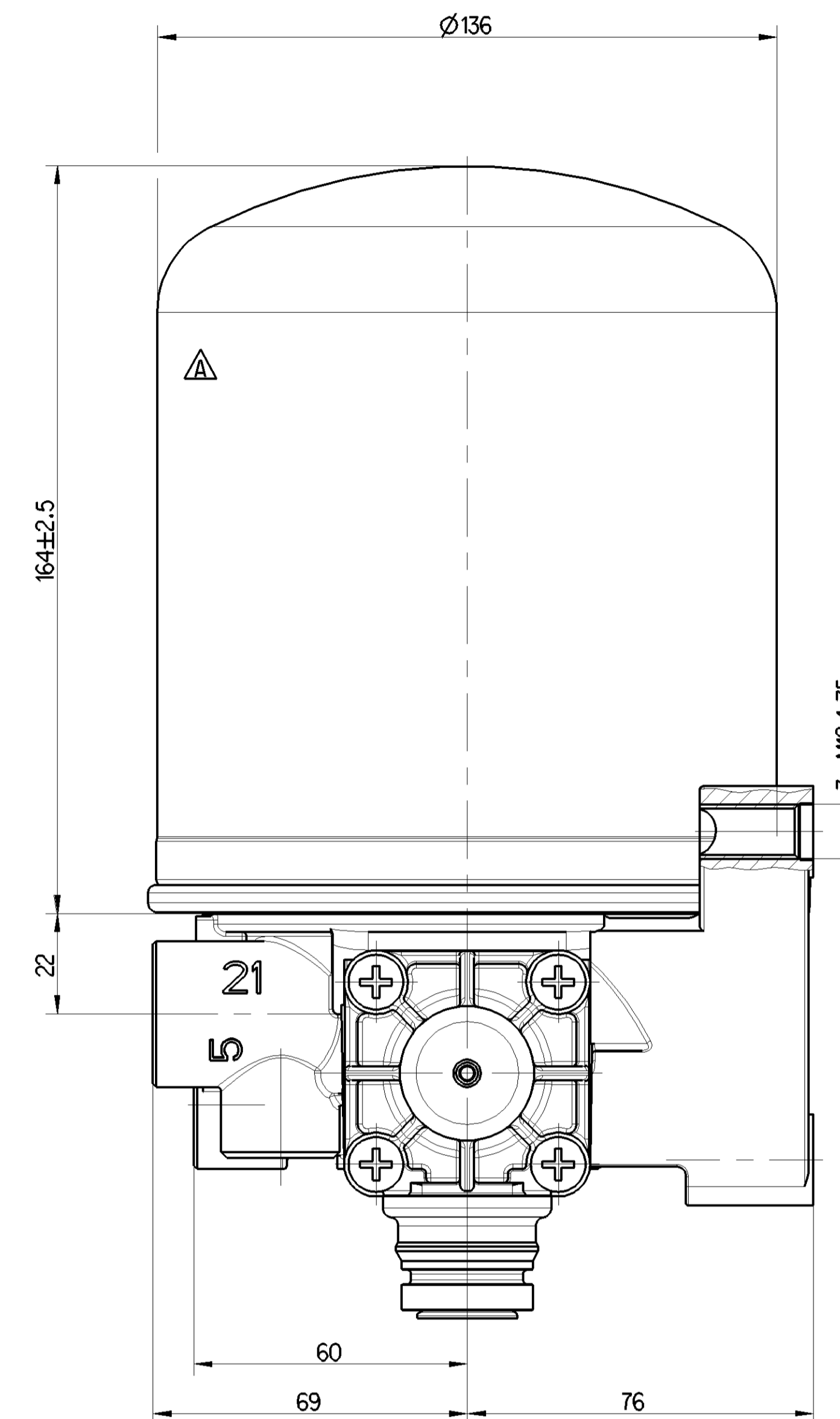
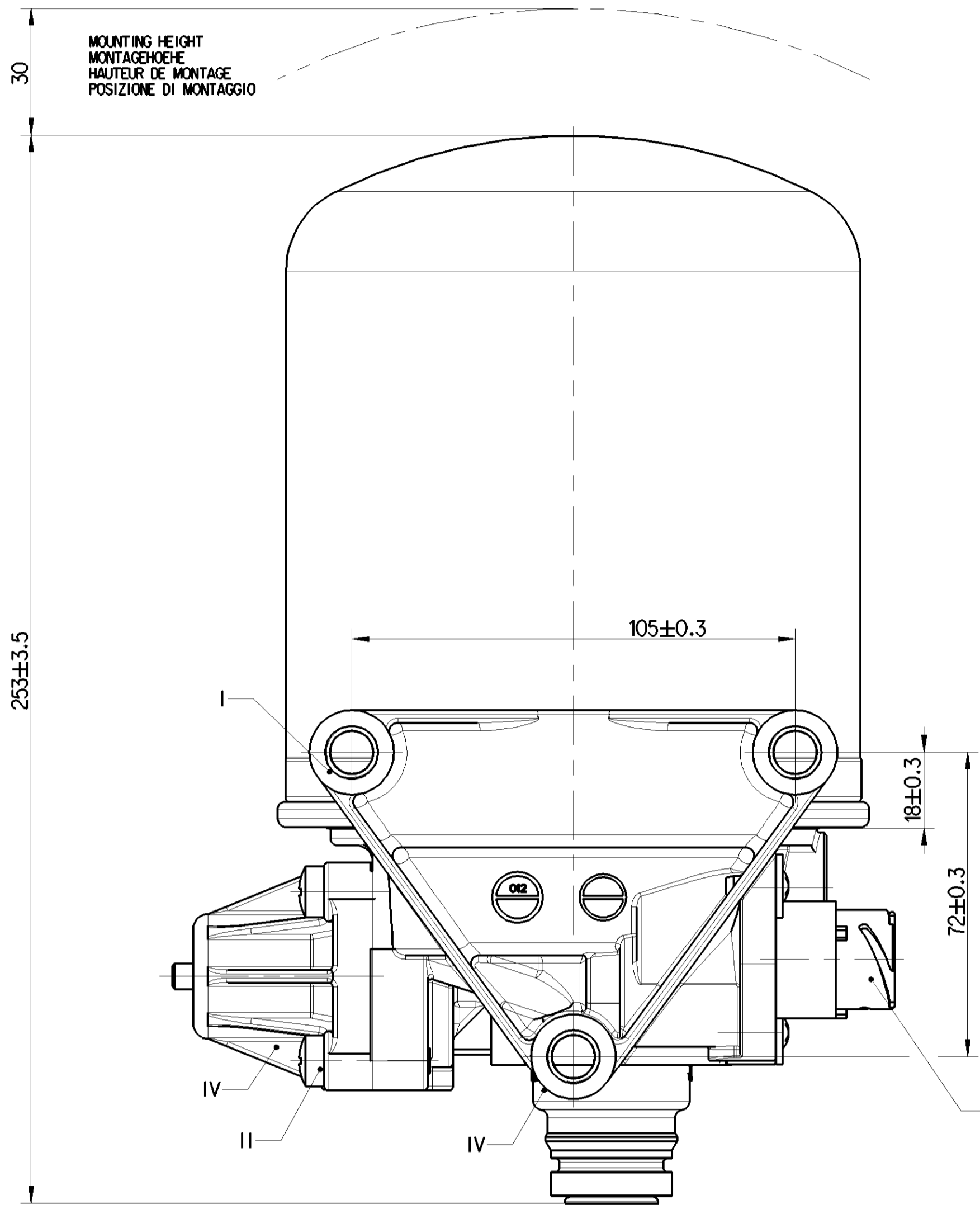


PART CODE	MATERIAL	SURFACE PROTECTION	△
I	ALUMINIUM ALLOY	CHROMATED	
II	STEEL	PASSIVATED	
III	STEEL	PAINTED	
IV	PLASTIC	NO TREATMENT	
V	BRASS	SILVER COATING	

WABCO AIR DRYER	COMBINED UNLOADER		SAFETY PRESSURE OF THE PURGE VALVE AT $V = 100dm^3/min$	(Kg) MASS
	OUT PRESSURE $P_e = ( bar )$	OPERATING RANGE $dP = ( bar )$		
432 410 191 0	12.0±0.2	0.9 $^{+0.7}_0$	< 19.0	4.23
432 410 192 0	8.5±0.2	0.7 $^{+0.5}_0$	< 14.5	4.23



PORT ANSCHLUSS ORIFIZIO	FUNCTION FUNCTION FUNZIONE	THREAD GEWINDE FILETTATURA
1	FROM THE COMPRESSOR VOM KOMPRESSOR PROVENANT DU COMPRESSEUR PROVENIENTE DEL COMPRESSORE	M22x1,5 JED-152
21	TO THE RESERVOIRS WITHOUT DYNAMIC PRESSURE (FROM CONSUMER) RECOMMENDED INSIDE DIAMETER $\phi 12mm$ ZU DEN LUFTBEHALTERN OHNE DYNAMISCHEN DRUCK (VOM VERBRAUCHER) EMPFOHLENER INNENDURCHMESSER $\phi 12mm$ AUX RESERVOIR SANS PPRESSION DYNAMIQUE (DU CONSUMMATEUR) DIAMETRE INTERIEUR RECOMMANDE $\phi 12mm$	M22x1,5 JED-152
22	TO THE RESERVOIRS FOR REGENERATED AIR ZUM REGENERATIONS-LUFTBEHALTER AUX RESERVOIRS D'AIR REGENERATE AL SERBATOII PER L'ARIA RIGENERATA	M12x1,5 JED-152
4/23	TO THE COMPRESSOR / PIPE VOLUME $< 50cm^3$ ZUM KOMPRESSOR / SCHLAUCHVOLUMEN $< 50cm^3$ AU COMPRESSEUR / VOLUME DE PIPE $< 50cm^3$ AL COMPRESORE / VOLUME DEL TUBO $< 50cm^3$	M12x1,5 JED-152
3	EXHAUST FOR COMPRESSED AIR ENTLUEFTUNG FLUER DRUCKLUFT SCARICO PER ARIA COMPRESSA	

**THERMAL RANGE OF CONTINUOUS APPLICATION:**  
THERMISCHER DAUERANWENDUNGSBEREICH;  
PLAGE DE TEMPERATURE EN UTILISATION CONTINUE;  
COMPO DI APPLICAZIONE CONTINUA: -40°C... +65°C

**RESISTANCE TO HEAT:**  
WAERMEBESTAENDIGKEIT;  
RESISTANCE A LA CHALEUR;  
RESISTANZA AL CALORE: +80°C MAX.

**MEDIUM: COMPRESSED AIR**  
FLUIDE: AIR COMPRIME  
FLUIDO: ARIA COMPRESSA

**WORKING PRESSURE:**  
BETRIEBSDRUCK;  
PRESSION DE SERVICE;  
PRESSIONE D'ESERCIZIO:  $P_e \text{ MAX.} = 13 \text{ bar}$

**INSTALLATION POSITION AS DRAWN**  
EINBAU- LAGE WIE GEZEICHNET  
POSITION D'INSTALLATION SUIVANT DESSIN  
POSIZIONE DI MONTAGGIO COME DISEGNATO

**TORQUES FOR CONNECTIONS:**  
ANZUGSMOMENT FLUER EINSCHRAUBSTUTZEN;  
COUPLE DE SARRAGE DES RACCORDS  
COPPIA DI SERRAGGIO DEI RACCORDI: M12x1.5:  $M_{max} = 21 \text{ Nm}$   
M22x1.5:  $M_{max} = 53 \text{ Nm}$

**HEATING**  
HEIZUNG  
CHAUFFAGE  
RISCALDAMENTO

**HEATING CUT-IN TEMPERATURE:**  
HEIZUNG EINSCHALT-TEMPERATUR  
CHAUFFAGE TEMPERATURE DE FERMETURE;  
RISCALDAMENTO TEMPERATURA DI CHIUSURA:  $7 \pm 6^\circ\text{C}$

**HEATING CUT-OFF TEMPERATURE:**  
HEIZUNG AUSSCHALT-TEMPERATUR;  
CHAUFFAGE TEMPERATURE DE MISE;  
RISCALDAMENTO TEMPERATURA DI APERTURA:  $29.5 \pm 3^\circ\text{C}$

**BATTERY VOLTAGE:**  
BATTERIESPANNUNG;  
TENSION DE BATTERIE;  
TENSIONE DI BATTERIA:  $24 \pm 4.8 / -2.4 \text{ V DC}$

**POWER WITHOUT CURRENT:**  
LEISTUNG STROMLOS;  
PUISSANCE SANS COURANT;  
POTENZA SENZA CORRENTE:  $100 \text{ W}$

**POWER WITH 24V DC:**  
LEISTUNG BEI 24V DC;  
PUISSANCE AVEC 24V DC;  
POTENZA CON 24V DC:  $95 \pm 0 / -5 \text{ W}$

**APPLIED ACROSS THE HEATER CONTACTS**  
DIREKT AN DEN HEIZUNGSKONTAKTEN  
APPLIQUEE SUR LES CONTACTS DE CHAUFFAGE  
APPLICATA SULLE CONTATTI DI RISCALDAMENTO

General Specification: ISO 8015, JEI-334-1, Size ISO 14405 LP	Copyright: WABCO	<b>WABCO</b>
Doc. Code: 2022-07-15	Sheet: 1 of 1	AIR DRYER LUFTTROCKNER DESSICATEUR D'AIR ESSICCATORE D'ARIA
Range of nominal dimensions in mm	Scale: 1:1	053 ML 1/1
Class: 11 $\pm 0.05$ to $\pm 0.1$	Part: 432 410 909 0	6 x A 5050
Material: Steel	Revision: 6	5050
Size: G10 System	Drawn by: M. L.	Checked by: M. L.

This document is the property of WABCO. All rights reserved. No part of this document may be reproduced, stored in a retrieval system, or transmitted, in any form or by any means, electronic, mechanical, photocopying, recording, or by any information storage and retrieval system, without the prior written permission of WABCO. The information contained herein is confidential and its disclosure to any third party is strictly prohibited.