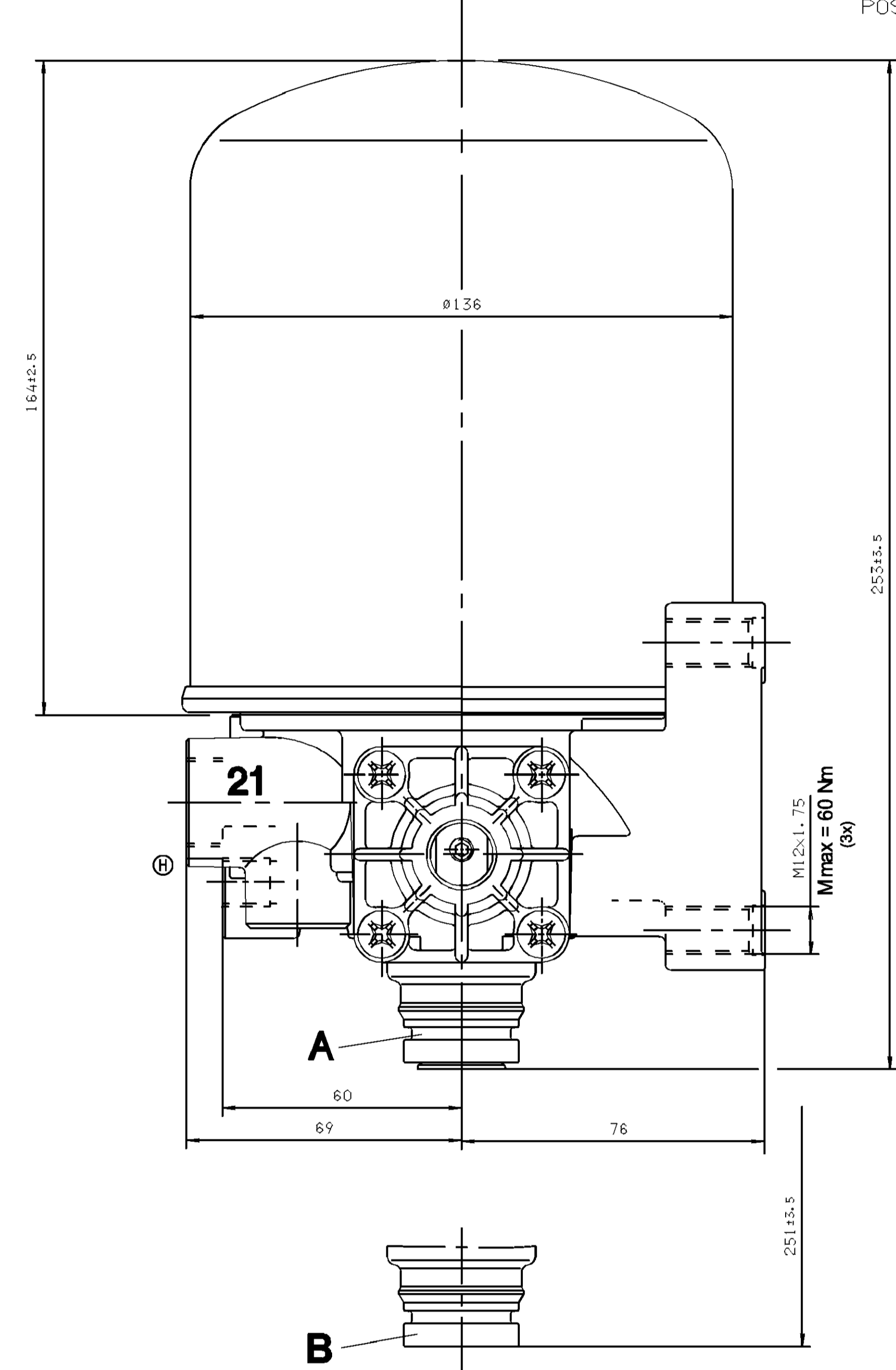
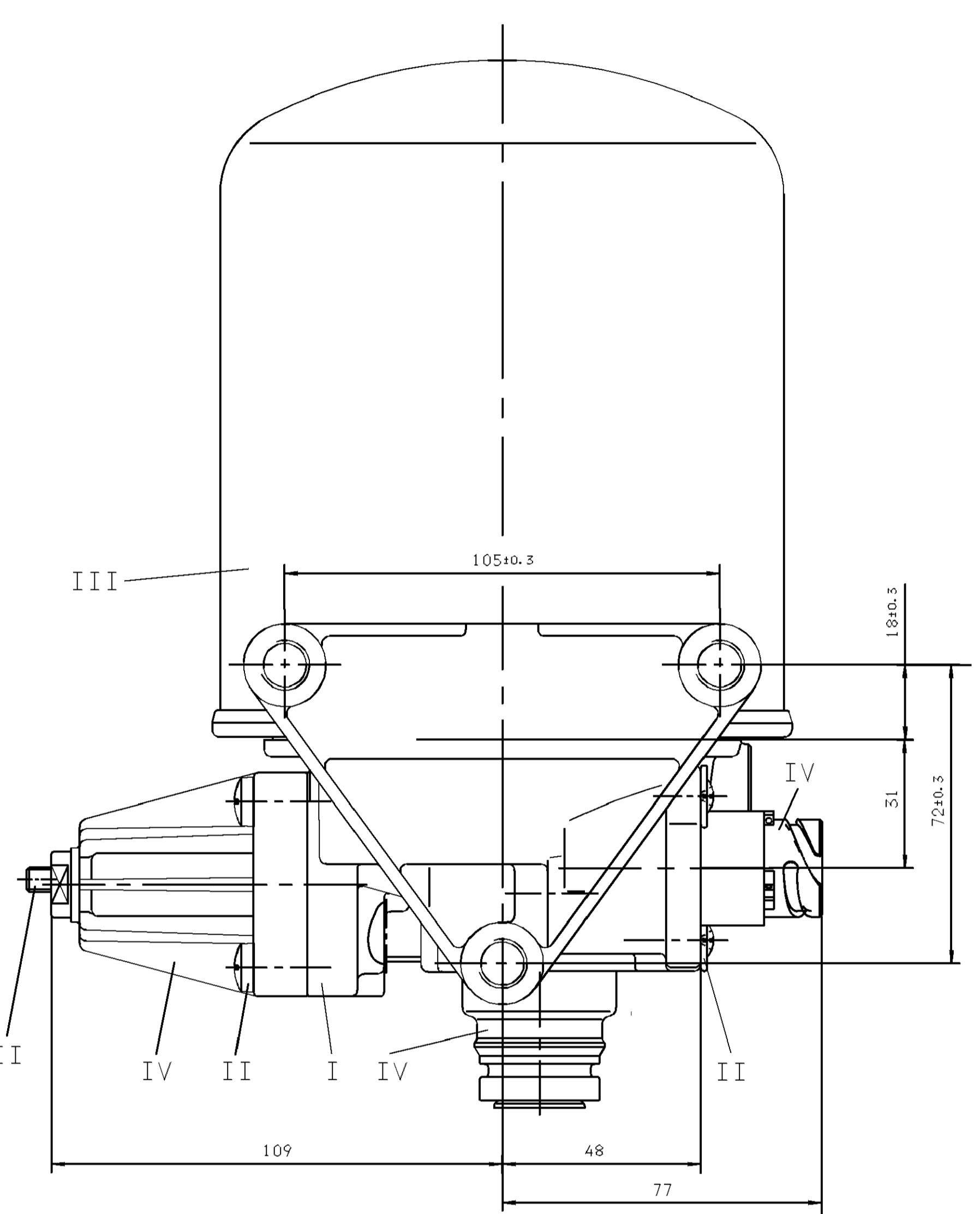
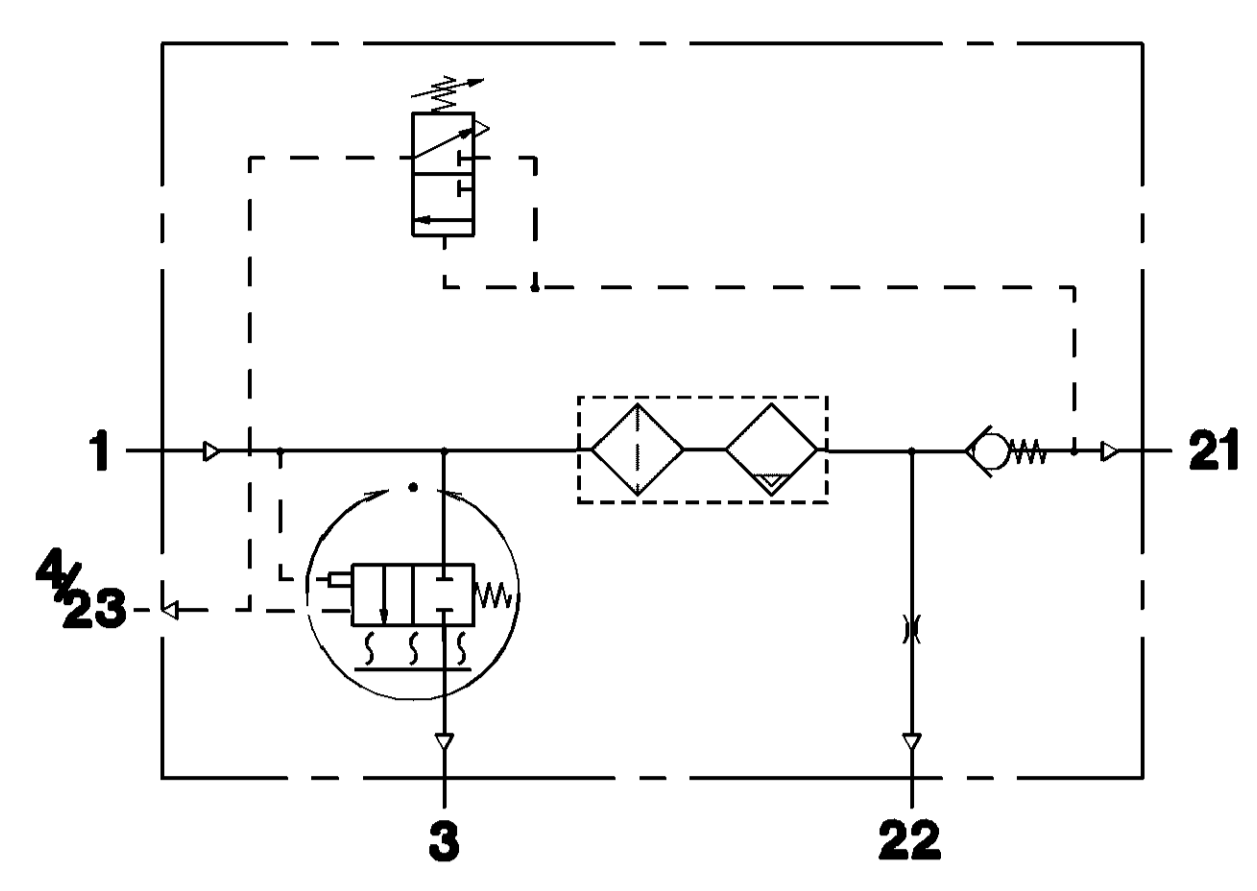


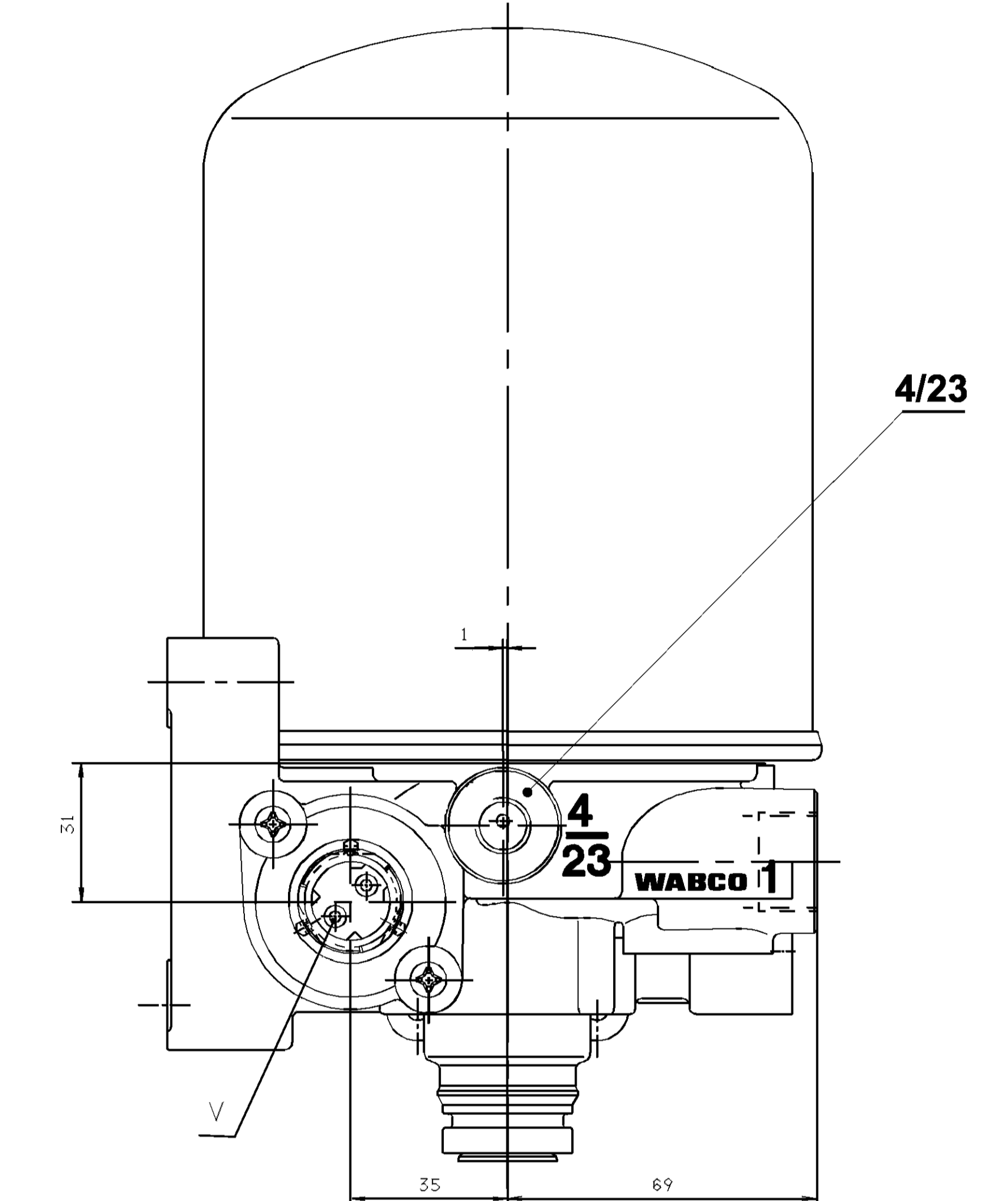
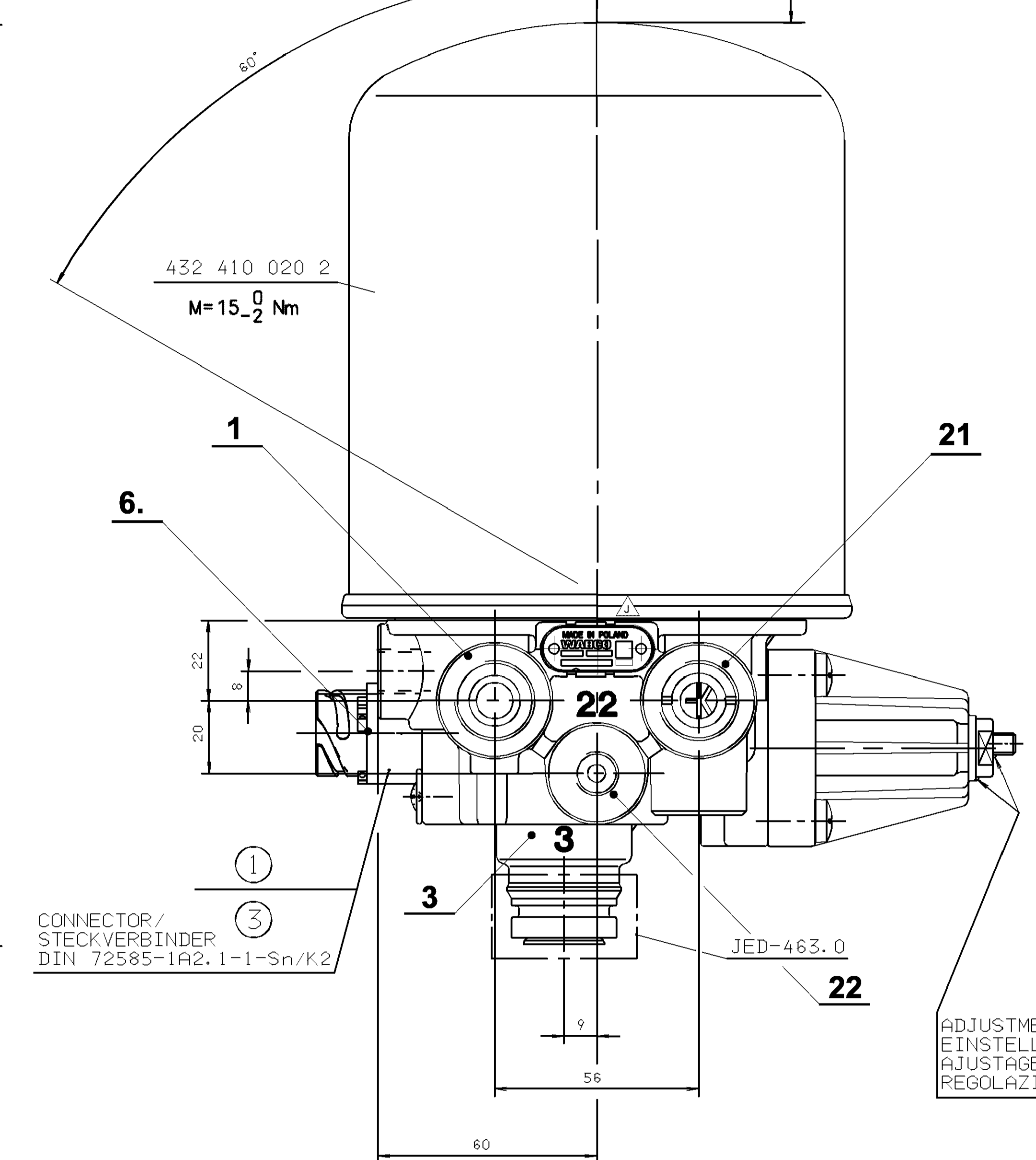
PART CODE	MATERIAL	SURFACE PROTECTION
I	ALUMINIUM ALLOY	CHROMATED
II	STEEL	PASSIVATED
III	STEEL	PAINTED
IV	PLASTIC	NO TREATMENT
V	BRASS	TIN AND COPPER COATING

IDENTIFICATION		HEATING HEIZUNG CHAUFFAGE RISCALDAMENTO		COMBINED UNLOADER, DRUCKREGLER, REGULATEUR DE PRESS., GRUPPO DI REGOLAZIONE		(kg)		
WABCO	CUSTOMER'S NO. KUNDEN-NR. NO CLIENT CLIENTE	①	③	BOTTOM BODEN FOND FONDO	CUT OUT PRESSURE ABSCHALTDRUCK PRESSION DE DECL. PRESSIONE D' APERTURA	OPERATING RANGE SCHALTSPANNE PLAGE DE REGULATION GAMME DE REGUL.	MASS MASSE MASSE MASSE	
432 410 034 0	816 0471 EZ	894 260 045 2	—	24V ±100W	A	12.5 ±0.2	0.9% <sup>a</sup>	4.23
432 410 035 0	816 0475 EZ	894 260 045 2	—	24V ±100W	A	11.0 ±0.2	0.7% <sup>a</sup>	4.23
432 410 076 0	4103 1476 EZ	—	894 260 049 2	24V ±100W	B	12.5 ±0.2	0.9% <sup>a</sup>	4.23
432 410 075 0	4103 1475 EZ	—	894 260 049 2	24V ±100W	B	11.0 ±0.2	0.7% <sup>a</sup>	4.23



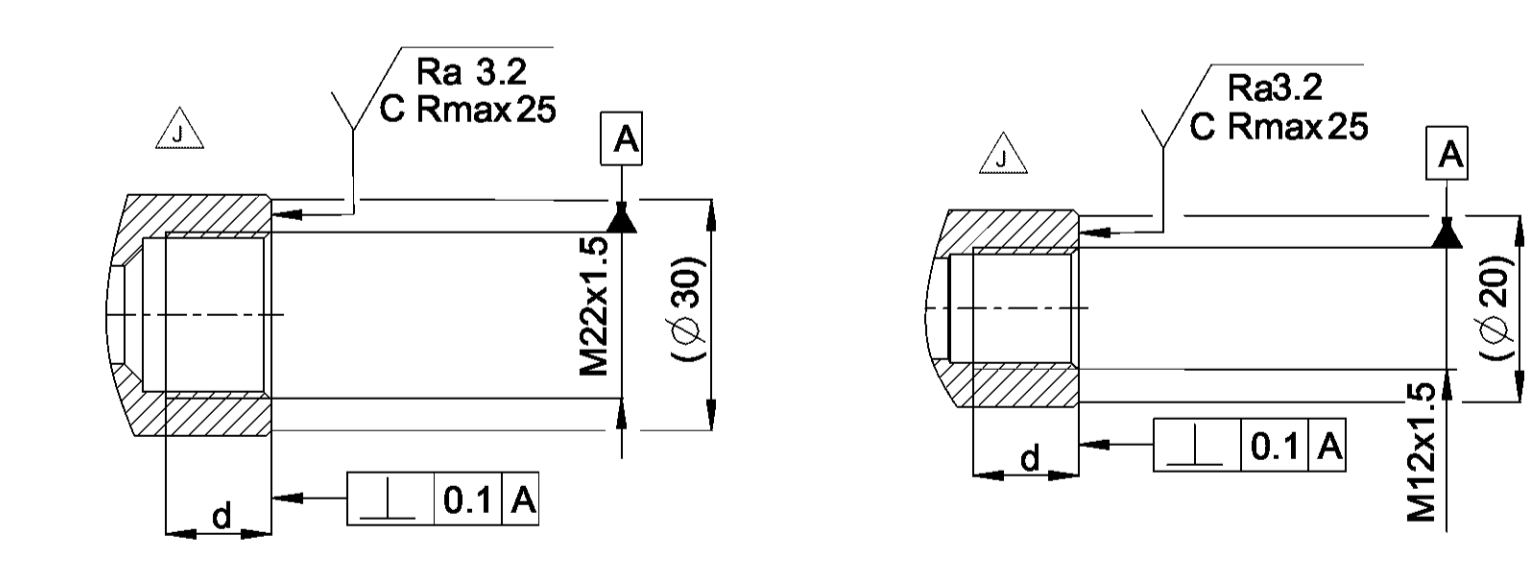
INSTALLATION POSITION  
EINBAULAGE  
POSITION D' INSTALLATION  
POSIZIONE DI MONTAGGIO

MOUNTING HEIGHT  
MONTAGEHOEHE  
HAUTEUR DE MONTAGE  
POSIZIONE DI MONTAGGIO



ADJUSTMENT MARKED WITH PAINT  
EINSTELLUNG MIT LACK GEKENNZEICHNET  
AJUSTAGE MARQUE MARQUE AVEC VERNIS  
REGOLAZIONE MARCATO CON VERNICE

CONNECTOR/  
STECKVERBINDER  
DIN 72585-1A2.1-1-Sn/K2



HEATING:  
HEIZUNG:  
CHAUFFAGE:  
RISCALDAMENTO:

CUT-IN TEMPERATURE  
EINSCHALT-TEMPERATUR  
TEMPERATURE DE FERMETURE  
TEMPERATURA DI CHIUSURA

POWER:  
LEISTUNG:  
PUISSANCE:  
POTENZA:

WITHOUT CURRENT  
STROMLOS  
SANS COURANT  
SENZA CORRENTE

WITH  
BEI  
AVEC  
CON

BATTERY VOLTAGE:  
BATTERIESPANNUNG:  
TENSION DE BATTERIE:  
TENSIONE DI BATTERIA:

CUT-OFF TEMPERATURE  
AUSSCHALT-TEMPERATUR  
TEMPERATURE DE MISE  
TEMPERATURA DI APERTURA

APPLIED ACROSS THE HEATER CONTACTS  
DIREKT AN DEN HEIZUNGSKONTAKTEN  
APPLIQUEE SUR LES CONTACTS DE CHAUFFAGE  
APPLICATA SULLE CONTATTI DI RISCALDAMENTO

MAX. PERMISSIBLE FREQUENCY  
MAX. ZULÄSSIGE FREQUENZ  
MAX. ADMISSIBLE FREQUENZE  
MAX. AMMISSIBILE FREQUENZA

MAX. PERMISSIBLE ACCELERATION:  
MAX. ZULÄSSIGE BESCHLEUNIGUNG:  
ACCELERATION MAX. ADMISSIBLE:  
ACCELERAZIONE MAX. AMMESSA:

THERMAL RANGE OF CONTINUOUS APPLICATION:  
THERMISCHER DAUERANWENDUNGSBEREICH:  
PLAGE DE TEMPERATURE EN UTILISATION CONTINUE:  
COMPO DI APPLICAZIONE CONTINUA:

RESISTANCE TO HEAT:  
WÄRMEBESTÄNDIGKEIT:  
RESISTANCE A LA CHALEUR:  
RESISTANZA AL CALORE:

MEDIUM: COMPRESSED AIR  
MEDIUM: DRUCKLUFT  
FLUIDE: AIR COMPRIE  
FLUIDO: ARIA COMPRESSA

WORKING PRESSURE:  
BETRIEBSDRUCK:  
PRESSION DE SERVICE:  
PRESSIONE D' ESERCIZIO:

TORQUE FOR CONNECTIONS:  
ANZUGSMOMENT FUER EINSCHRAUBSTUTZEN:  
COUPLE DE SERRAGE DES RACCORDS:  
COPIA DI SERRAGGIO DEI RACCORDI:

COMBINED UNLOADER: REGULATEUR DE PRESS.: GRUPPO DI REGOLAZIONE:PRESSIONE D'APERT.	CUT OUT PRESSURE ABSCHALTDRUCK PRESSION DE DECL. PRESSIONE D' APERTURA	SAFETY PRESSURE SICHERHEITSDRUCK PRESSION DE SECURITE PRESSIONE DI SICUREZZA
11.0 ± 0.2	15.5 ± 0.2	(BEI V <sub>n</sub> = 100dm <sup>3</sup> /m.tn.)
12.5 ± 0.2	17.0 ± 0.2	(BEI V <sub>n</sub> = 100dm <sup>3</sup> /m.tn.)

INSTALLATION POSITION AS DRAWN  
EINBAULAGE WIE GEZEICHNET  
POSITION D' INSTALLATION SUIVANT DESSIN  
POSIZIONE DI MONTAGGIO COME DISEGNATO

PORT ANSCHLUSS ORIFICE ORIFIZIO	FUNCTION FUNKTION FONCTION FUNZIONE	THREAD GEWINDE FILETAGE FILETTATURA
1	FROM THE COMPRESSOR VOM KOMPRESSOR PROVENANT DU COMPRESSEUR PROVENIENTE DEL COMPRESSORE	M22x1.5 d=15
21	TO THE RESERVOIRS ZU DEN LUFTBEHALTERN AUX RESERVOIR AL SERBATOII PER	M22x1.5 d=24.5
22	TO RESERVOIR FOR REGENERATION AIR ZUM REGENERATIONS-LUFTBEHALTER AU RESERVOIR D' AIR DE REGENERATION AL SERBATOII PER L' ARIA RIGENERATA	M12x1.5 d=12
3	EXHAUST FOR COMPRESSED AIR ENTLUFTUNG FUER DRUCKLUFT ECHAPPEMENT POUR AIR COMPRIE SCARICO PER ARIA COMPRESSA	
6	HEATING HEIZUNG CHAUFFAGE RISCALDAMENTO	—
4/23	CONTROL PORT STELERANSCHLUSS ORIFICE DE COMMANDE ORIFIZIO DI COMANDO	M12x1.5 d=12

OUTLET (FOR CONTROL IMPULSE): MAX. VOLUMEN OF AIR  
AUSGANG (FUER STEUERIMPULS): MAX. ZU BELUEFTENDES VOLUMEN V<sub>max</sub> = 0.11  
USCITA

General Specification: ISO 8015, ISO 8016, ISO 14405 LP

Further Technical Data: Product Specification

Doc. Code: 050

Sheet: 1

2022-07-19

2022-07-19

Class: 11

File: 050

Medium: X

Course: 05

1:1

A 0

TIF

5090

4 X J

5050

WABCO

AIR DRYER  
LUFTTROCKNER  
DESSICATEUR D' AIR  
ESSICCATORE D' ARIA

053 ML 1/1

This document is the property of WABCO. It is not to be distributed, copied, or otherwise made available to the public without the written consent of WABCO. The information contained herein is confidential and its disclosure to the public would be detrimental to the interests of WABCO.