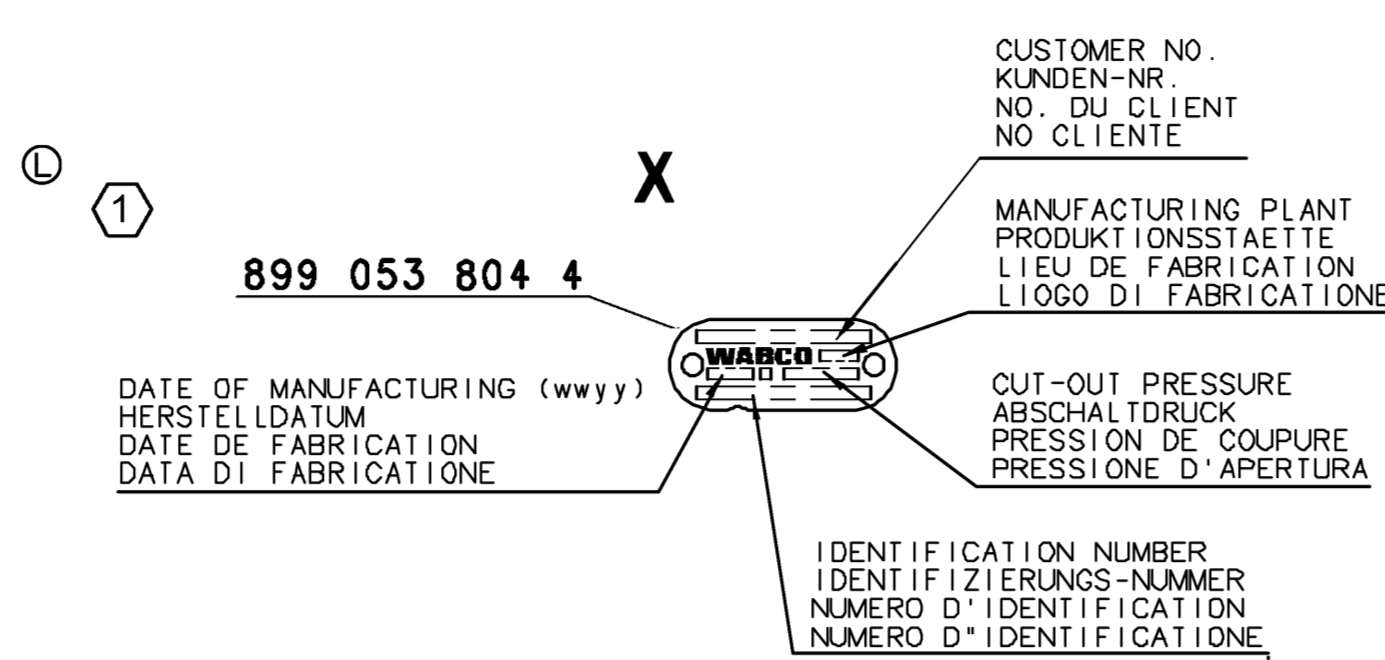
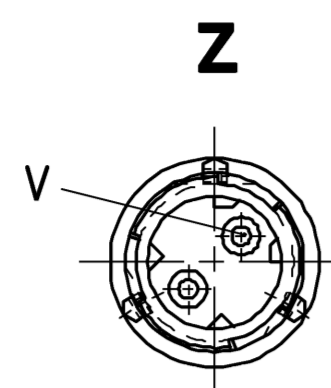
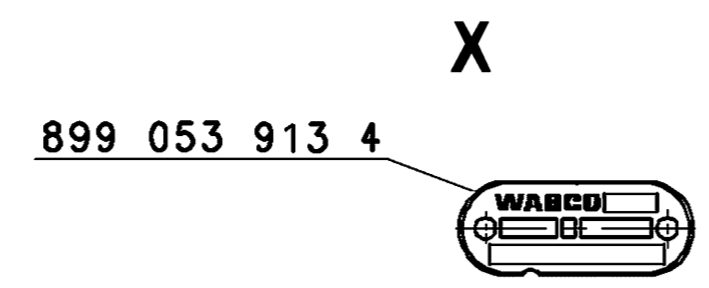
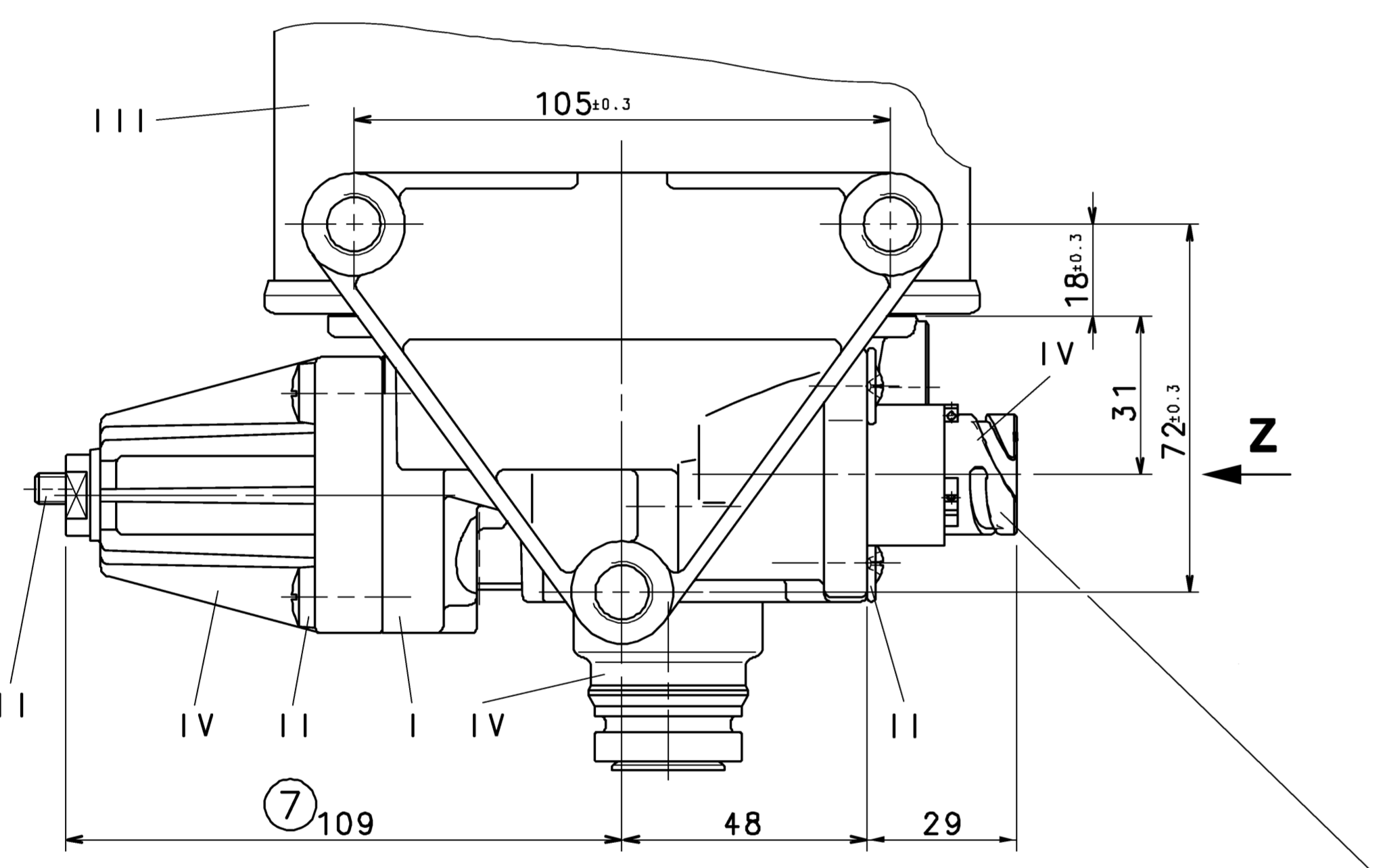


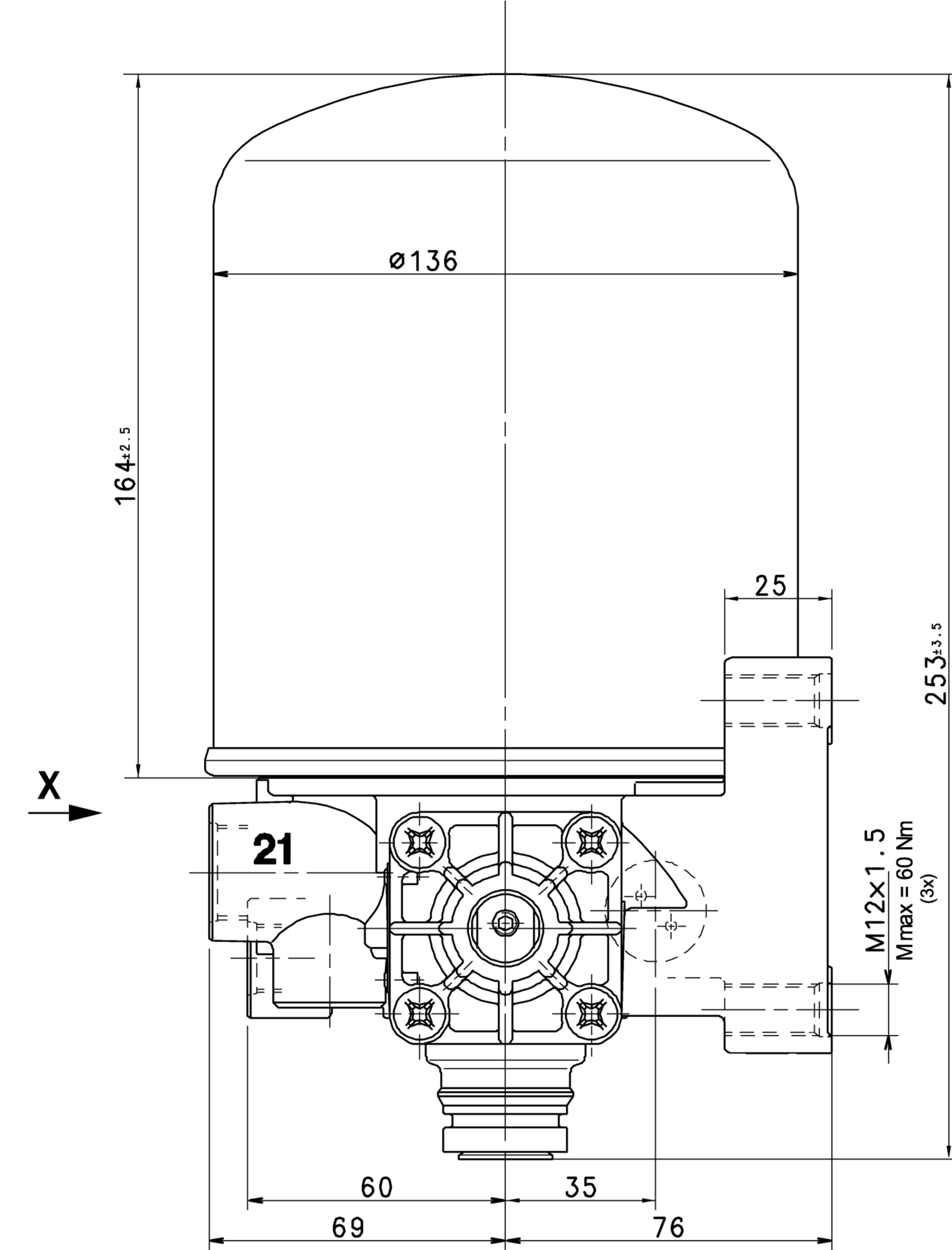
EXTERNAL SURFACE
AUSSERE OBERFLÄCHE
SURFACE EXTERIEURE
SUPERFICIE ESTERNA
I JED-259
II JED-256
III JED-471 SCHWARZ/BLACK
IV KUNSTSTOFF
V JED-570-322
VI JED-007-1



IDENTIFICATION		HEATING HEIZUNG CHAUFFAGE RISCALDAMENTO							COMBINED UNLOADER, DRUCKREGLER, REGULATEUR DE PRESS., GRUPPO DI REGOLAZIONE		THREAD IN PORT: GEWINDE IN ANSCHLUSS: FILETAGE EN ORIFICE: FILETTO IN ORIFIZIO:		(kg)				
WABCO	CUSTOMERS NO. KUNDEN-NR. NO CLIENT CLIENTE	894 260 049 2	24V	==	100W	①	②	③	④	⑤	⑥	⑦	OUT OUT PRESSURE ABSCHALTDRUCK p ₀ PRESSION DE DECLENCH. PRESSIONE D' APERTURA	OPERATING RANGE SCHALTSPANNUNG Δp PLAGE DE REGULATION GAMME DE REGUL.	21	22	MASS MASSE MASSE
432 410 112 0		894 260 049 2	24V	==	100W	×	×					×	12.5 ^{+0.2}	1.3 ^{+0.7}	M22x1.5/JED-388	M16x1.5/JED-388	3.53
432 410 114 0		894 260 049 2	24V	==	100W	×	×					×	8.5 ^{+0.2}	0.6 ^{+0.4}	M22x1.5/JED-388	M16x1.5/JED-388	3.55
432 410 116 0		894 260 049 2	24V	==	100W	×	×					×	10.0 ^{+0.2}	1.0 ^{+0.5}	M22x1.5/JED-388	M16x1.5/JED-388	3.53
432 410 134 0		894 260 049 2	24V	==	100W			×	×	×	×		12.5 ^{+0.2}	1.3 ^{+0.5}	M22x1.5/JED-388	M16x1.5/JED-388	3.53

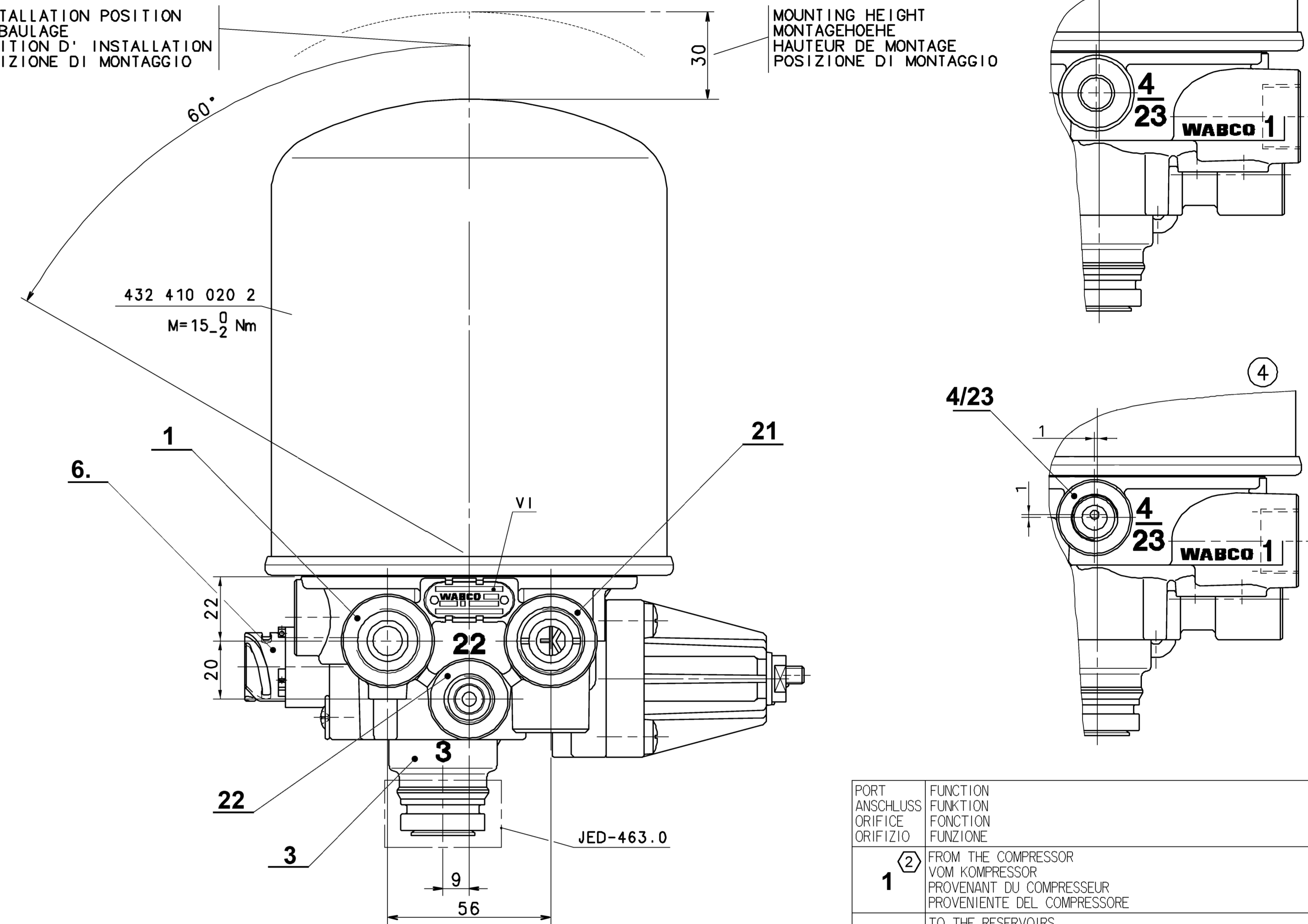


STECKVERBINDER
DIN 72585-1A2.1-1-Sn/K2

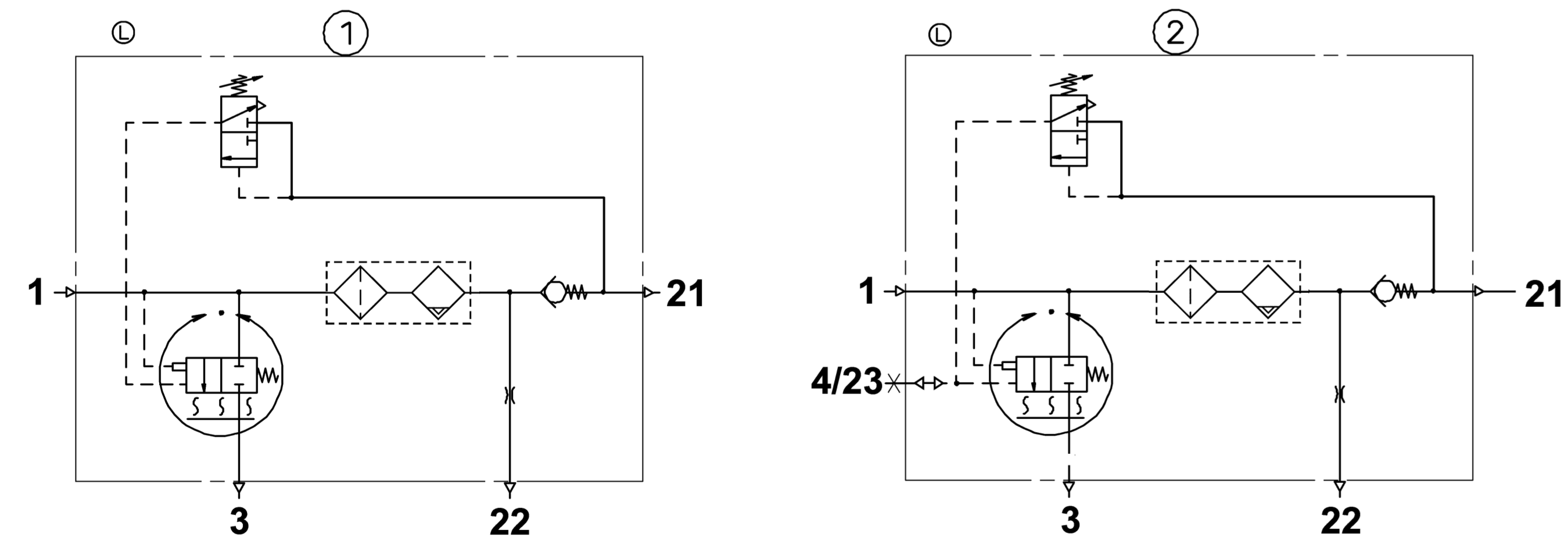


INSTALLATION POSITION
EINBAULAGE
POSITION D' INSTALLATION
POSIZIONE DI MONTAGGIO

MOUNTING HEIGHT
MONTAGEHOEHE
HAUTEUR DE MONTAGE
POSIZIONE DI MONTAGGIO



PORT ANSCHLUSS ORIFICE ORIFIZIO	FUNCTION FUNKTION FUNCTION	THREAD GEWINDE FILETAGE
①	FROM THE COMPRESSOR VOM KOMPRESSOR PROVENANT DU COMPRESSEUR PROVENIENTE DEL COMPRESORE	M22x1.5 JED-152 d=15
21	TO THE RESERVOIRS ZU DEN LUFTBEHAELTERN AUX RESERVOIR AL SERBATOII PER	M22x1.5 JED-388.0
22	TO RESERVOIR FOR REGENERATION AIR ZUM REGENERATIONS-LUFTBEHAELTER AU RESERVOIR D'AIR DE REGENERATION AL SERBATOII PER L'ARIA RIGENERATA	M16x1.5 JED-388.0
3	EXHAUST FOR COMPRESSED AIR ENTLUFTUNG FUER DRUCKLUFT ECHAPPEMENT POUR AIR COMPRIME SCARICO PER ARIA COMPRESSA	SILENCER
4/23	CONTROL PORT STEUERANSCHLUSS ORIFICE DE COMMANDE ORIFIZIO DI COMANDO	⑤ CLOSED M16x1.5 JED-388.0
6.	HEATING HEIZUNG CHAUFFAGE RISCALDAMENTO	—



THERMAL RANGE OF CONTINUOUS APPLICATION:
THERMISCHER DAUERANWENDUNGSBEREICH:
RESISTANCE TO HEAT: WAERMEBESTAENDIGKEIT: MAX. +80 °C
RESISTANCE A LA CHALEUR: MAX. +80 °C
RESISTANZA AL CALORE:

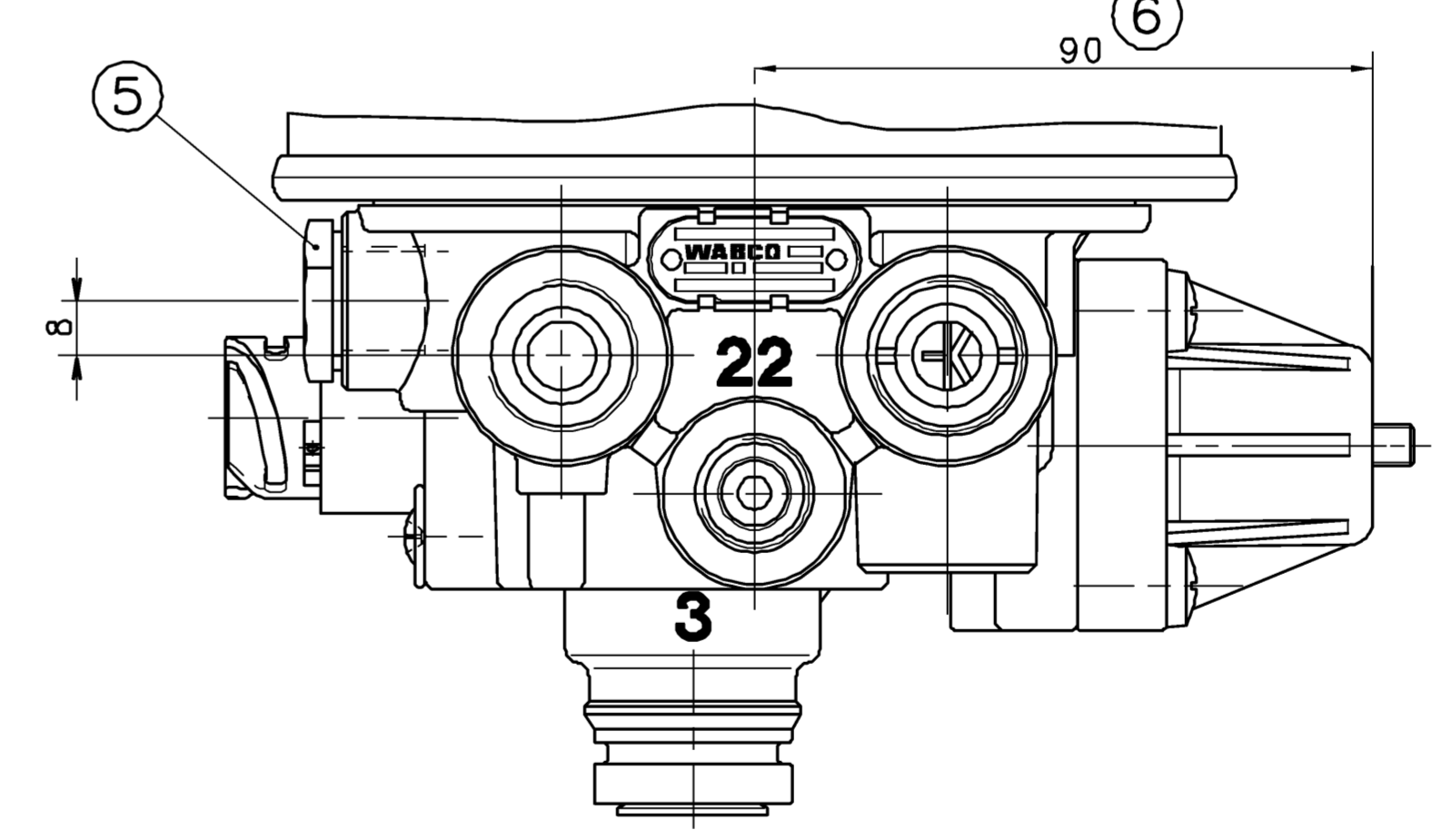
MEDIUM: COMPRESSED AIR
MEDIUM: DRUCKLUFT
FLUIDE: AIR COMPRIME
FLUIDO: ARIA COMPRESSA

WORKING PRESSURE:
BETRIEBSDRUCK: p₀ max. = 13bar
PRESSION DE SERVICE: MAX. = 13bar
PRESSIONE D' ESERCIZIO:

TORQUE FOR CONNECTIONS:
ANZUGSMOMENT FUER EINSCHRAUBSTUTZEN: M12x1.5: M_{max} = 21 Nm
COUPLE DE SERRAGE DES RACCORDS: M16x1.5: M_{max} = 34 Nm
COPPIA DI SERRAGGIO DEI RACCORDI: M22x1.5: M_{max} = 53 Nm

MAX. PERMISSIBLE FREQUENCY: MAX. ZULASSIGE FREQUENZ 50 Hz
MAX. PERMISSIBLE FREQUENZA: MAX. ADMISSIBLE FREQUENZE 50 Hz
MAX. AMMISSIBILE FREQUENZA: MAX. AMMISSIBILE FREQUENZA

MAX. PERMISSIBLE ACCLERATION: MAX. ZULASSIGE BESCHLEUNIGUNG: ±10xg
MAX. ADMISSIBLE FREQUENZE: MAX. ADMISSIBILE FREQUENZE
ACCELERAZIONE MAX. AMMESSA: ACCELERAZIONE MAX. AMMESSA:



PERMITTED SILENCER
FREIGELEGENER GERAEUSCHDAEMPFER
SILENCIEUX PERMIS
SILENZIATORE AMMESSO

432 407 012 0

HEATING:
HEIZUNG:
CHAUFFAGE:
RISCALDAMENTO:

CUT-IN TEMPERATURE
EINSCHALT-TEMPERATUR 7*±6 °C
TEMPERATURE DE FERMETURE 7*±6 °C
TEMPERATURA DI CHIUSURA

CUT-OFF TEMPERATURE
AUSSCHALT-TEMPERATUR 29.5*±3 °C
TEMPERATURE DE MISE 29.5*±3 °C
TEMPERATURA DI APERTURA

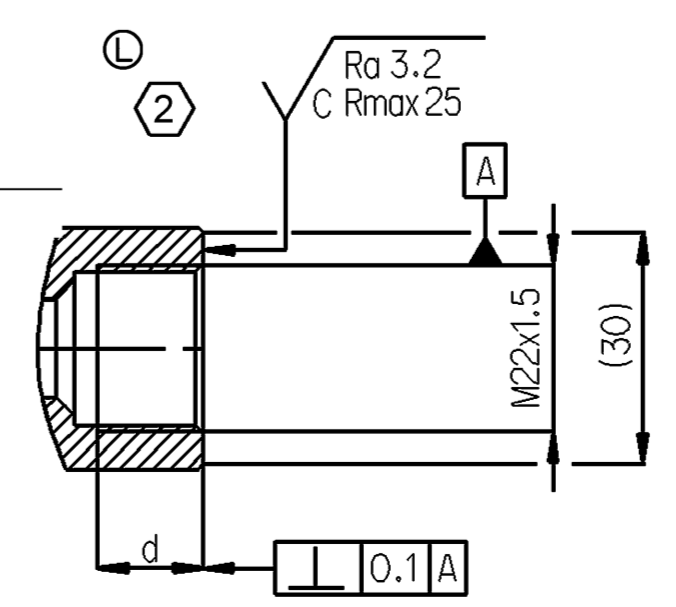
BATTERY VOLTAGE:
BATTERIESPANNUNG: 24*±4.8 v DC
TENSION DE BATTERIE: 24*±4.8 v DC
TENSIONE DI BATTERIA:

POWER:
LEISTUNG: 100 W
STROMLOS
SANS COURANT
SENZA CORRENTE

95.0 W WITH BEI AVEC 24 v DC
CON

APPLIED ACROSS THE HEATER CONTACTS
DIREKT AN DEN HEIZUNGSKONTAKTEN
APPLIQUEE SUR LES CONTACTS DE CHAUFFAGE
APPLICATA SULLE CONTATTI DI RISCALDAMENTO

INSTALLATION POSITION AS DRAWN EINBAULAGE WIE GEZEICHNET POSITION D' INSTALLATION SUIVANT DESSIN POSIZIONE DI MONTAGGIO COME DISEGNATO	COMBINED UNLOADER: DRUCKREGLER: REGULATEUR DE PRESS.: GRUPPO DI REGOLAZIONE: PRESSIONE DE DECL. (bar)	CUT OUT PRESSURE ABSCHALTDRUCK PRESSION DE DECL. PRESSIONE D' APERTURA (bar)	DYNAMIC PRESSURE OF THE SAFETY VALVE STAUDRUCK DES SICHERHEITSVENTILES PRESSION DYNAMIQUE DU SOUPAPE DE SECURITE PRESSIONE DINAMICA DELLA VALVOLE DI SICUREZZA (bar)
		7.1 ± 8.5	10.0 ¹ bar (BEI V _n = 100dm ³ /min.)
		8.6 ± 10.0	12.0 ² bar (BEI V _n = 100dm ³ /min.)
		10.1 ± 11.5	13.0 ³ bar (BEI V _n = 100dm ³ /min.)
		11.6 ± 13.0	14.0 ⁴ bar (BEI V _n = 100dm ³ /min.)



① FOR MAN

General Specification		Copyright WABCO		WABCO	
Part Number: JED-042	Product Specification	Date: 2015-02-06	Sheet: 1 of 1	AIR DRYER	
Doc. Code: 035	Sheet: To	2015-02-06	2015-02-06	LUFTTROCKNER	
Range of Nominal Pressures (L/min)		L/min		DESSICATEUR D' AIR	
Qmax (l)	<50	50-150	150-400	>400	ESSICCATORE D' ARIA
Flow rate	0.5	1.0	1.5	2.0	
Max. pressure	1.0	2.0	3.0	4.0	
Flow rate	2.0	3.5	5.0	6.5	
Topper Hole Inc.		DIN		Year	
13 Tabacco Class Applied Component		154/705		10 x L 5050	
		AO TIF		432 410 917 0 053 ML 1/1	