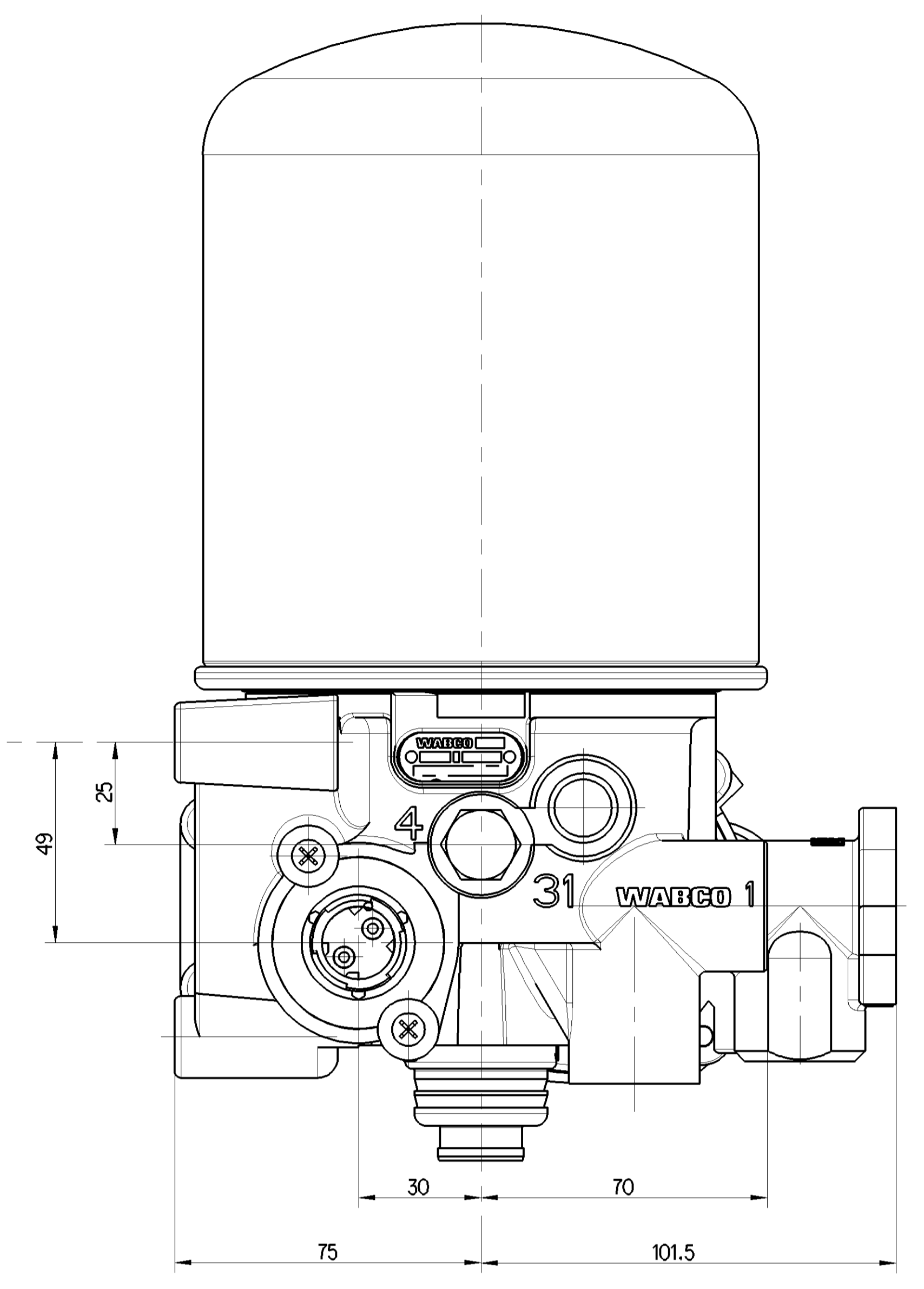
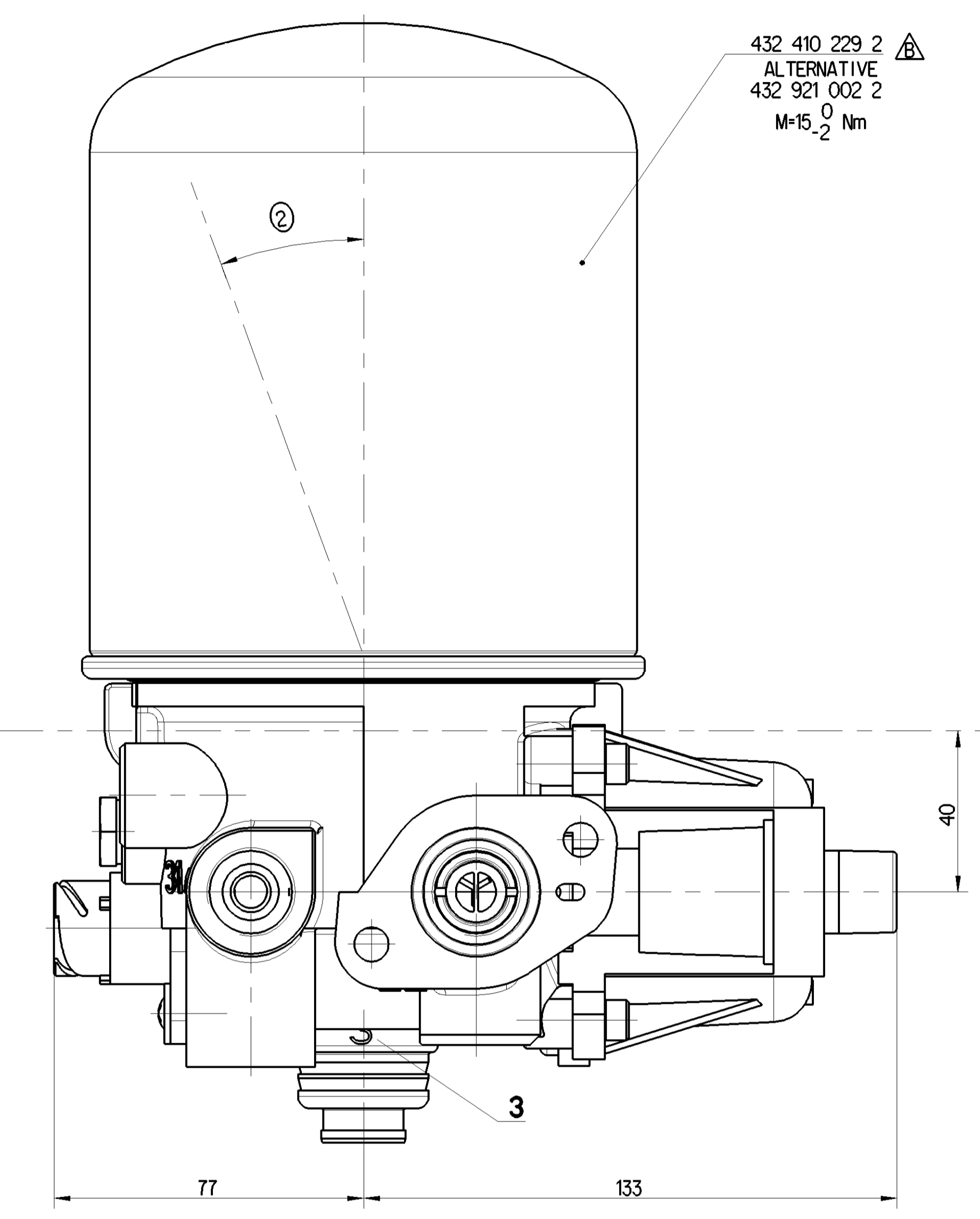
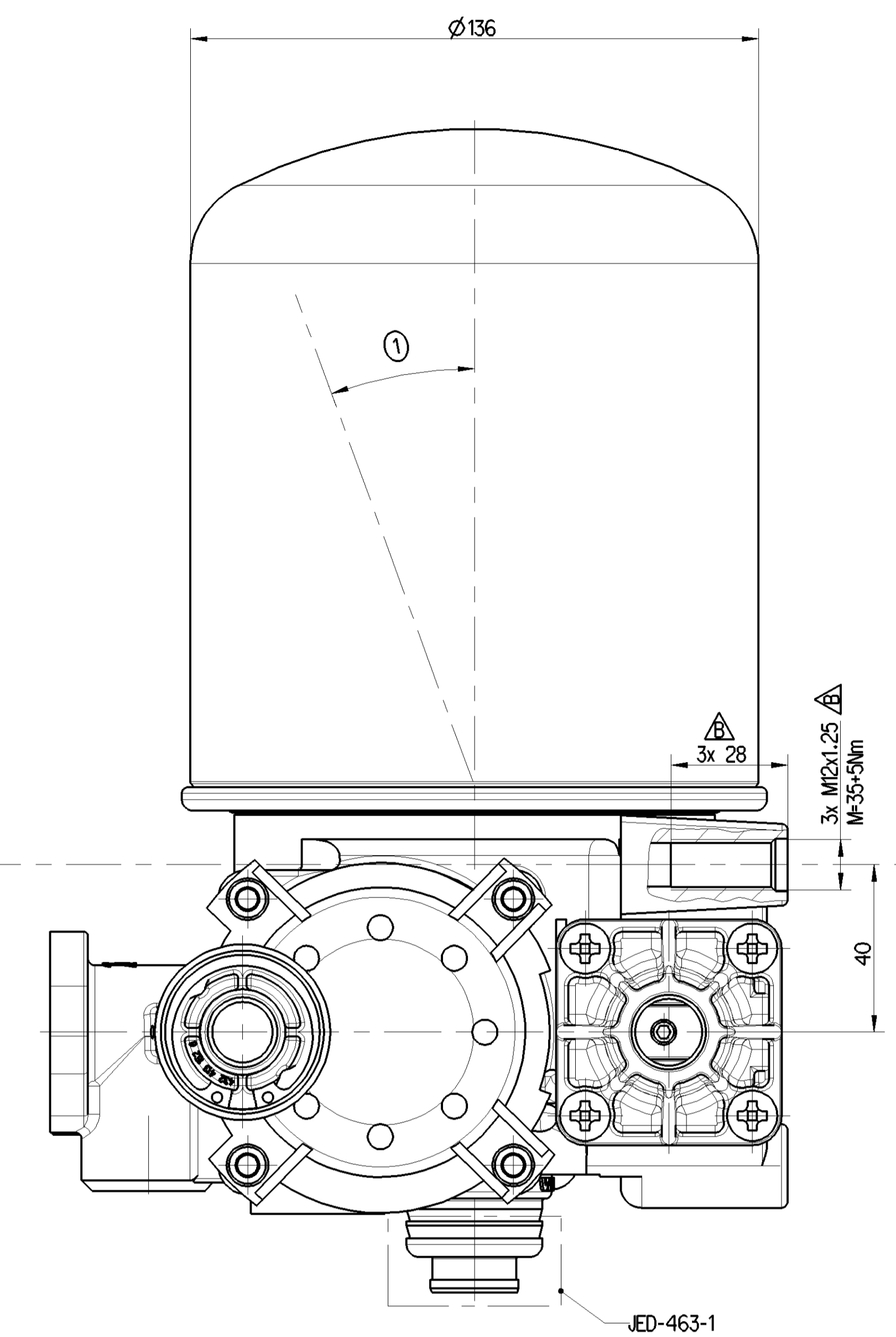
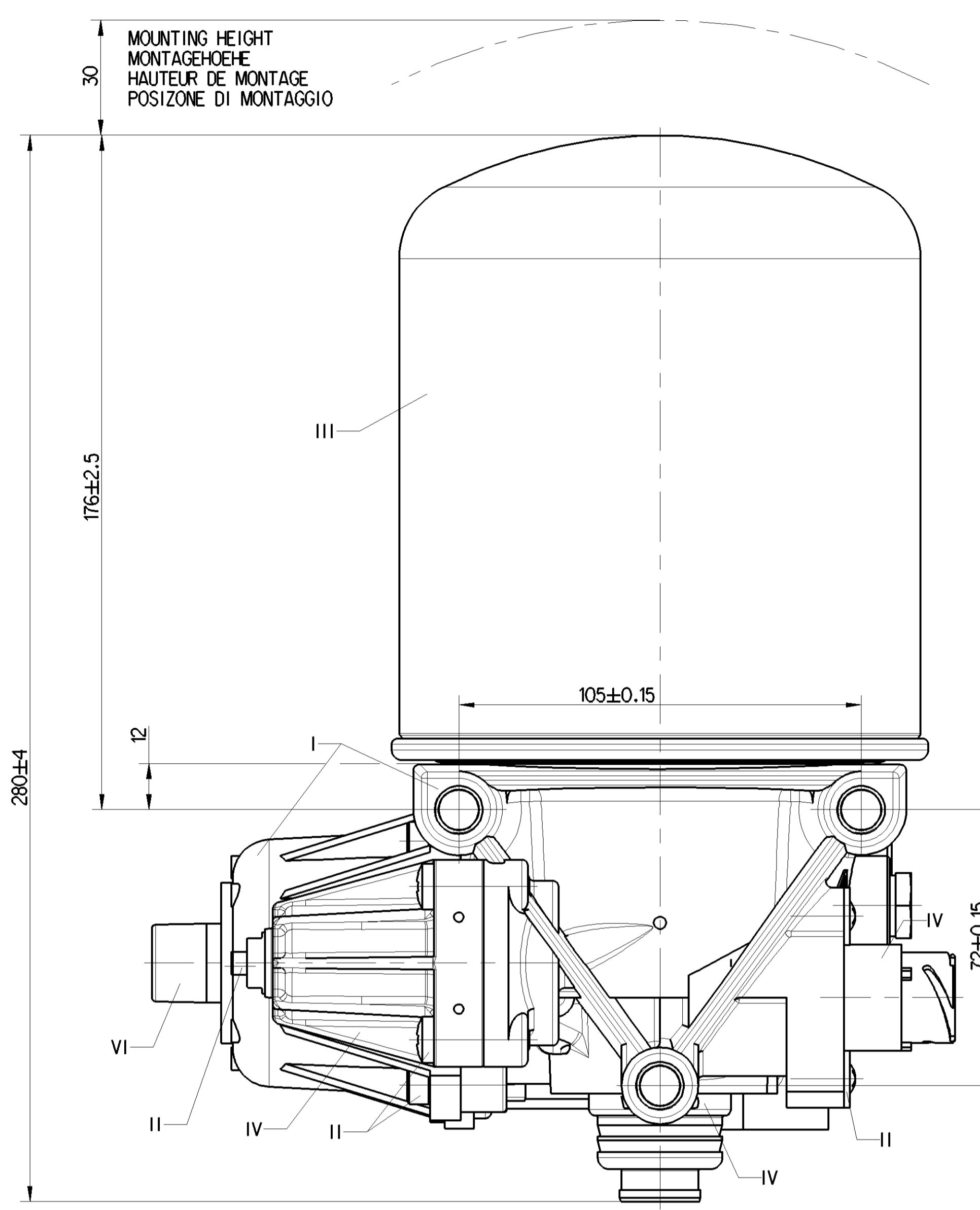
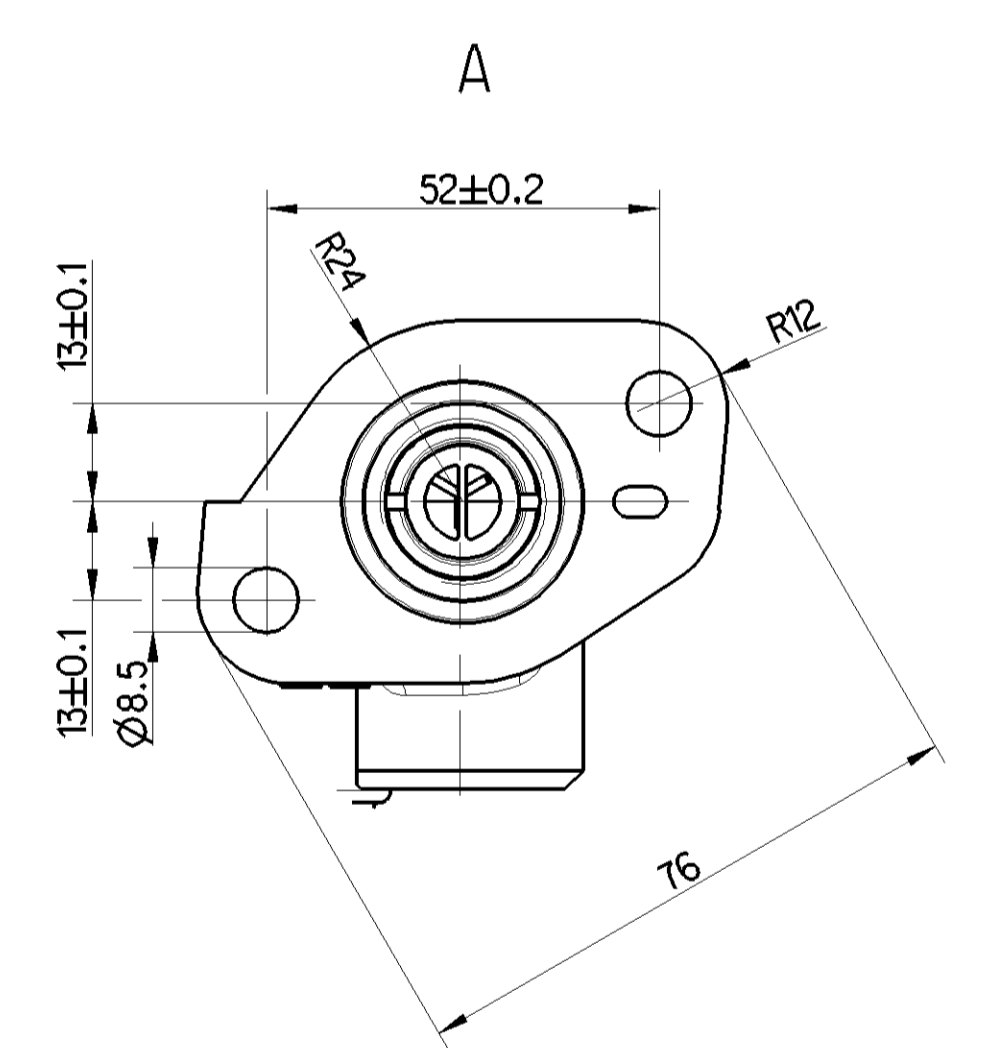


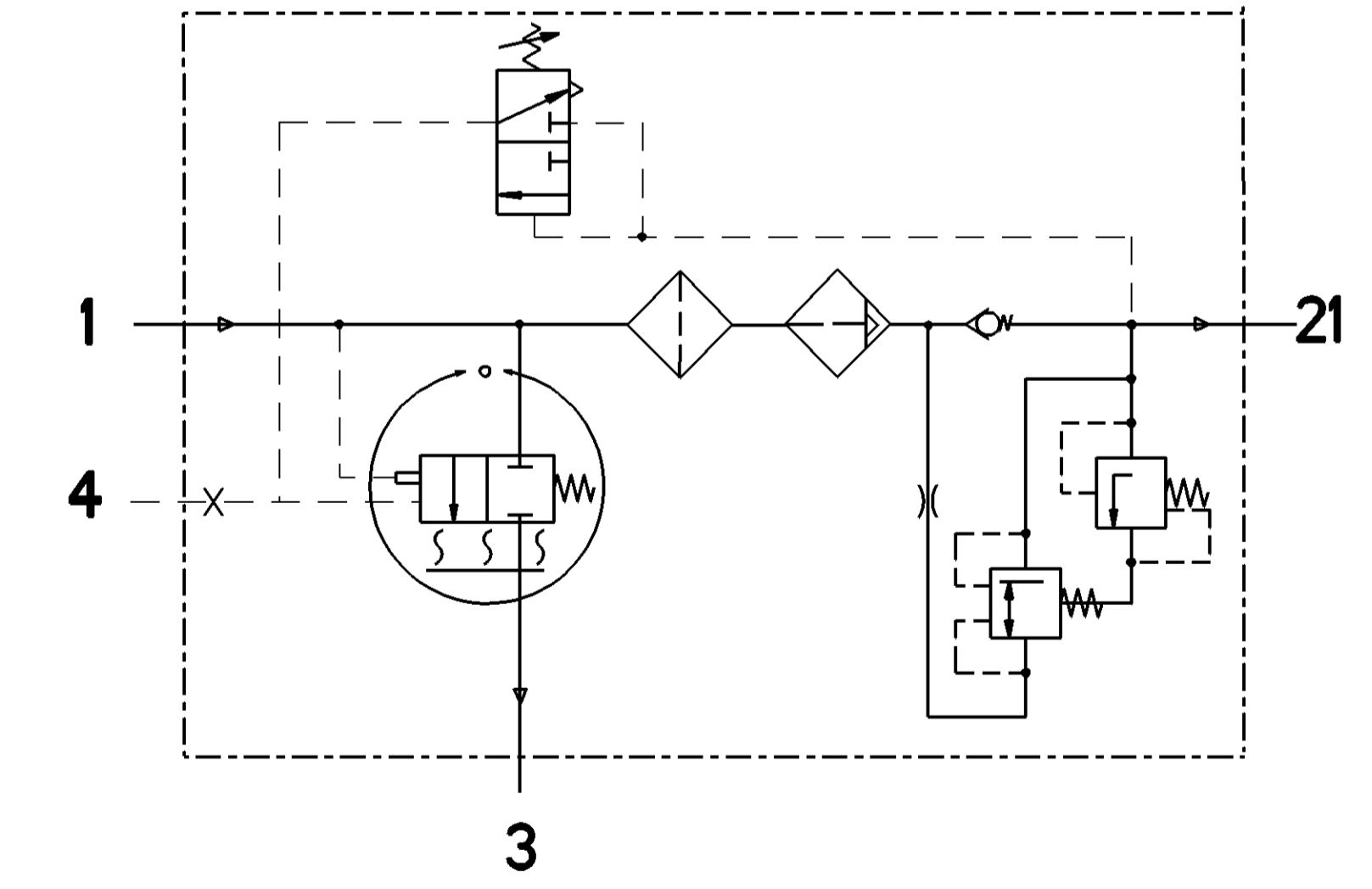
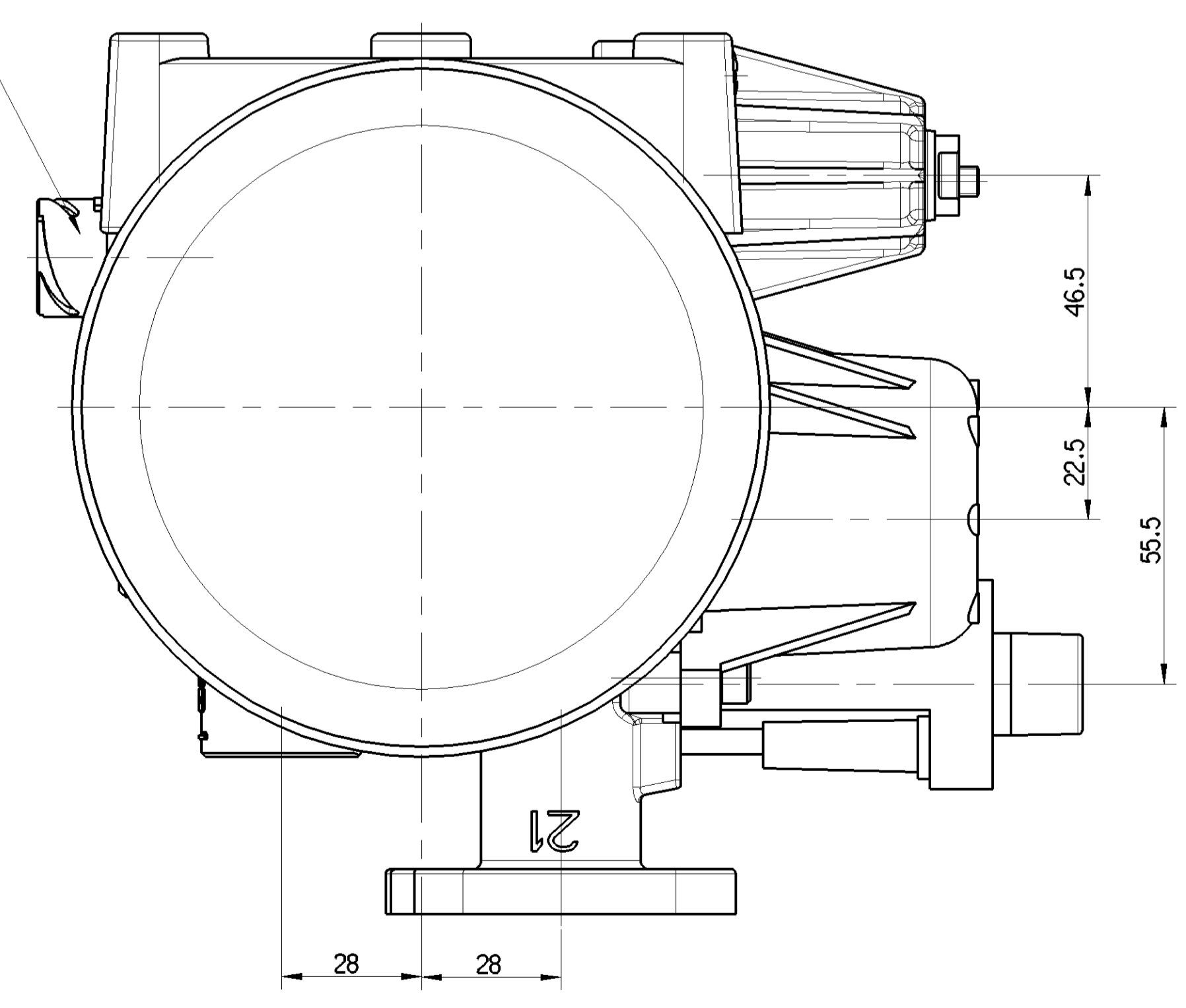
PART CODE	MATERIAL	SURFACE PROTECTION	①	②
I	ALUMINIUM ALLOY	CHROMATED		
II	STEEL	ZINK PLATED	20°	20°
III	STEEL	PAINTED		
IV	PLASTIC	NO TREATMENT	0°	60°
V	BRASS	TIN AND COPPER COATING		
VI	ZINC ALLOY	PASSIVATION		



PORT ANSCHLUSS ORIFIZIO	FUNCTION FUNCTION FONZIONE	THREAD GEWINDE FILETTAGE FILETTATURA
1	FROM THE COMPRESSOR VOM KOMPRESSOR PROVENANT DU COMPRESSEUR PROVENIENTE DEL COMPRESORE	M22x1,5 JED-152
21	TO PROTECTION VALVE ZUM SCHUTZVENTIL AU VALVE DE PROTECTION A VALVOVA DI PROTEZIONE	M22x1,5 JED-152
4	TO THE COMPRESSOR (PLUGGED) ZUM KOMPRESSOR (VERSCHLOSSEN) AU COMPRESSEUR (OTTURATO) AL COMPRESORE (OTTURATO)	M12x1,5 JED-152
3	EXHAUST FOR COMPRESSED AIR ENTLUEFTUNG FUER DRUCKLUFT ECHAPPEMENT POUR AIR COMPRI SCARICO PER AIRIA COMPRESSA	



CONNECTOR  
STECKVERBINDER  
DIN 72365-A1-2,1-1-Sv/K2



TECHNICAL DATA, TECHNISCHE DATEN, CARACTERISTIQUES TECHNIQUES, CARATTERISTICHE TECNICHE

THERMAL RANGE OF CONTINUOUS APPLICATION: THERMISCHER DAUERANWENDUNGSBEREICH: PLAGE DE TEMPERATURE EN UTILISATION CONTINUE: COMPO DI APPLICAZIONE CONTINUA:	-40°C... +65°C	HEATING HEIZUNG CHAUFFAGE RISCALDAMENTO	
RESISTANCE TO HEAT: WAERMEBESTAENDIGKEIT: RESISTANCE A LA CHALEUR: RESISTANZA AL CALORE:	+80°C MAX.	HEATING CUT-IN TEMPERATURE: HEIZUNG EINSCHALT-TEMPERATUR CHAUFFAGE TEMPERATURE DE FERMETURE: RISCALDAMENTO TEMPERATURA DI CHIUSURA:	7 ±6°C
MEDIUM: COMPRESSED AIR MEDIUM: DRUCKLUFT FLUIDE: AIR COMPRI FLUIDO: ARIA COMPRESSA		HEATING CUT-OFF TEMPERATURE: HEIZUNG AUSSCHALT-TEMPERATUR: CHAUFFAGE TEMPERATURE DE MISE: RISCALDAMENTO TEMPERATURA DI APERTURA:	29.5 ±3°C
WORKING PRESSURE: BETRIEBSDRUCK: PRESSION DE SERVICE: PRESSIONE D' ESERCIZIO:	Pe MAX. = 10 bar	BATTERY VOLTAGE: BATTERIESPANNUNG: TENSION DE BATTERIE: TENSIONE DI BATTERIA:	24 +4.8/-2.4 V DC
MAX. PERMISSIBLE FREQUENCY MAX. ZULASSIGE FREQUENZ MAX. ADMISSIBLE FREQUENCE MAX. AMMISSIBILE FREQUENZA	50 Hz	POWER WITHOUT CURRENT: LEISTUNG STROMLOS: PUISSANCE SANS COURANT: POTENZA SENZA CORRENTE:	100 W
MAX. PERMISSIBLE ACCELERATION MAX. ZULASSIGE BESCHLEUNIGUNG ACCELERATION MAX. ADMISSIBLE ACCELERAZIONE MAX. AMMESSA	± 10 g	POWER WITH 12V DC: LEISTUNG BEI 12V DC: PUISSANCE AVEC 12V DC: POTENZA CON 12V DC:	95 +0/-5W
COMBINED UNLOADER: DRUCKREGLER: REGULATEUR DE PRESSION: GRUPPO DI REGOLAZIONE:		CUT OUT PRESSURE: ABSCHALTDRUCK: PRESSION D'OUVERTURE: PRESSIONE D'APERTURA:	9.5 ±0.2 bar
		OPERATING RANGE: SCHALTSPANNE: PLAGE DE REGULATTION: GAMME DI REGOLAZIONE:	0.8 +0.4 bar
		DYNAMIC PRESSURE OF SAFETY VALVE: STAUBDRUCK DES SICHERHEITSVENTILES: PRESSION DYNAMIQUE DU SOUPEPE DE SECURITE: PRESSIONE DINAMICA DELLA VALVOVA DI SICUREZZA:	14 +3 bar (BEI $\dot{V}_n = 100 \text{ dm}^3/\text{min}$ )
		BACK FLOW LIMITING VALVE: RÜCKSTROMGRENZUNGSVENTIL: VALVE DE LIMITATION DE RETOUR: VALVOVA LIMITATRICE DI RITORNO:	0.5 ±0.05 bar

TORQUES FOR CONNECTIONS:  
ANZUNGMOMENT FUER EINSCHRAUBSTUTZEN:  
COUPLE DE SARRAGE DES RACCORDS:  
COPIA DI SERRAGGIO DEI RACCORDI:

M12x1.5: Mmax = 21 Nm  
M22x1.5: Mmax = 53 Nm

General Specifications ISO 8015, ISO 14001, ISO 14000		Copyright WABCO		WABCO	
Doc. Code: 0205	Sheet: 1 To 4	Date: 2022-07-21	Drawn: Meng	AIR DRYER LUFTTROCKNER DESSICATEUR D'AIR ESSICCATORE D'ARIA	
General Tolerances ISO 2011		2022-07-29		005 ML 1/1	
Range of nominal dimensions in mm		Dimensions in mm		Date of first issue: 2006-09-23	
Class	11 ±0.05	12 ±0.05	13 ±0.05	14 ±0.05	15 ±0.05
Class	16 ±0.05	17 ±0.05	18 ±0.05	19 ±0.05	20 ±0.05
Class	21 ±0.05	22 ±0.05	23 ±0.05	24 ±0.05	25 ±0.05
Class	26 ±0.05	27 ±0.05	28 ±0.05	29 ±0.05	30 ±0.05
Class	31 ±0.05	32 ±0.05	33 ±0.05	34 ±0.05	35 ±0.05
Class	36 ±0.05	37 ±0.05	38 ±0.05	39 ±0.05	40 ±0.05
Class	41 ±0.05	42 ±0.05	43 ±0.05	44 ±0.05	45 ±0.05
Class	46 ±0.05	47 ±0.05	48 ±0.05	49 ±0.05	50 ±0.05
Class	51 ±0.05	52 ±0.05	53 ±0.05	54 ±0.05	55 ±0.05
Class	56 ±0.05	57 ±0.05	58 ±0.05	59 ±0.05	60 ±0.05
Class	61 ±0.05	62 ±0.05	63 ±0.05	64 ±0.05	65 ±0.05
Class	66 ±0.05	67 ±0.05	68 ±0.05	69 ±0.05	70 ±0.05
Class	71 ±0.05	72 ±0.05	73 ±0.05	74 ±0.05	75 ±0.05
Class	76 ±0.05	77 ±0.05	78 ±0.05	79 ±0.05	80 ±0.05
Class	81 ±0.05	82 ±0.05	83 ±0.05	84 ±0.05	85 ±0.05
Class	86 ±0.05	87 ±0.05	88 ±0.05	89 ±0.05	90 ±0.05
Class	91 ±0.05	92 ±0.05	93 ±0.05	94 ±0.05	95 ±0.05
Class	96 ±0.05	97 ±0.05	98 ±0.05	99 ±0.05	100 ±0.05