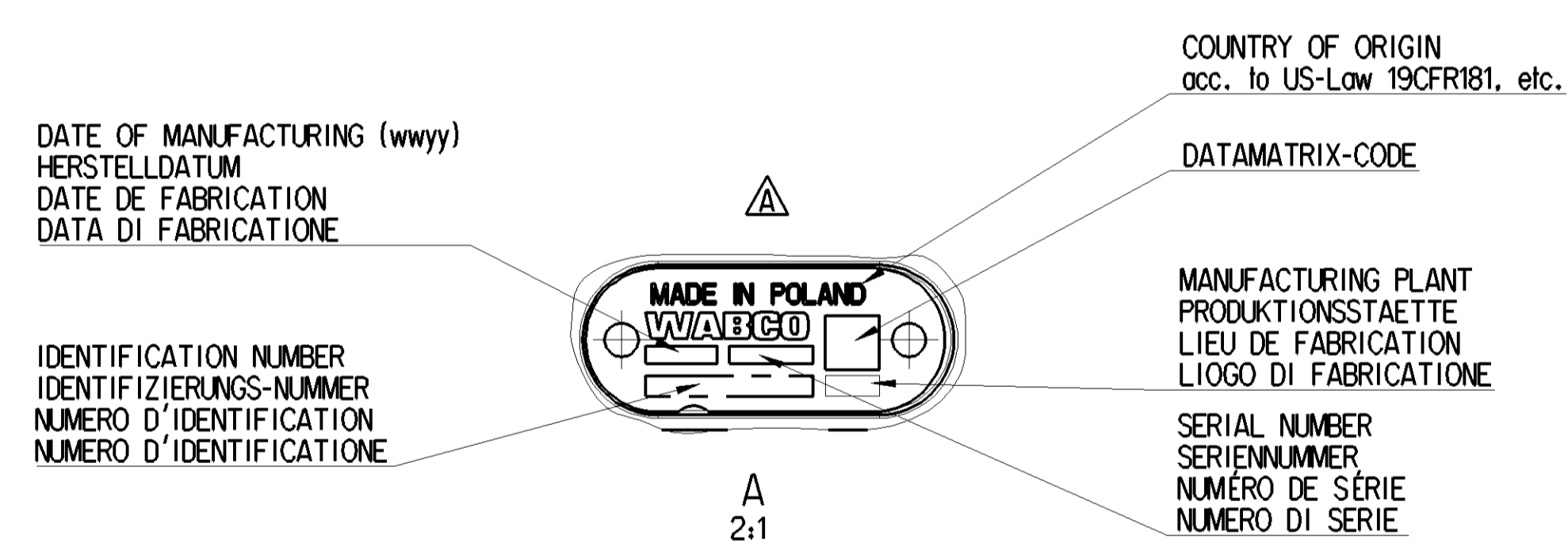
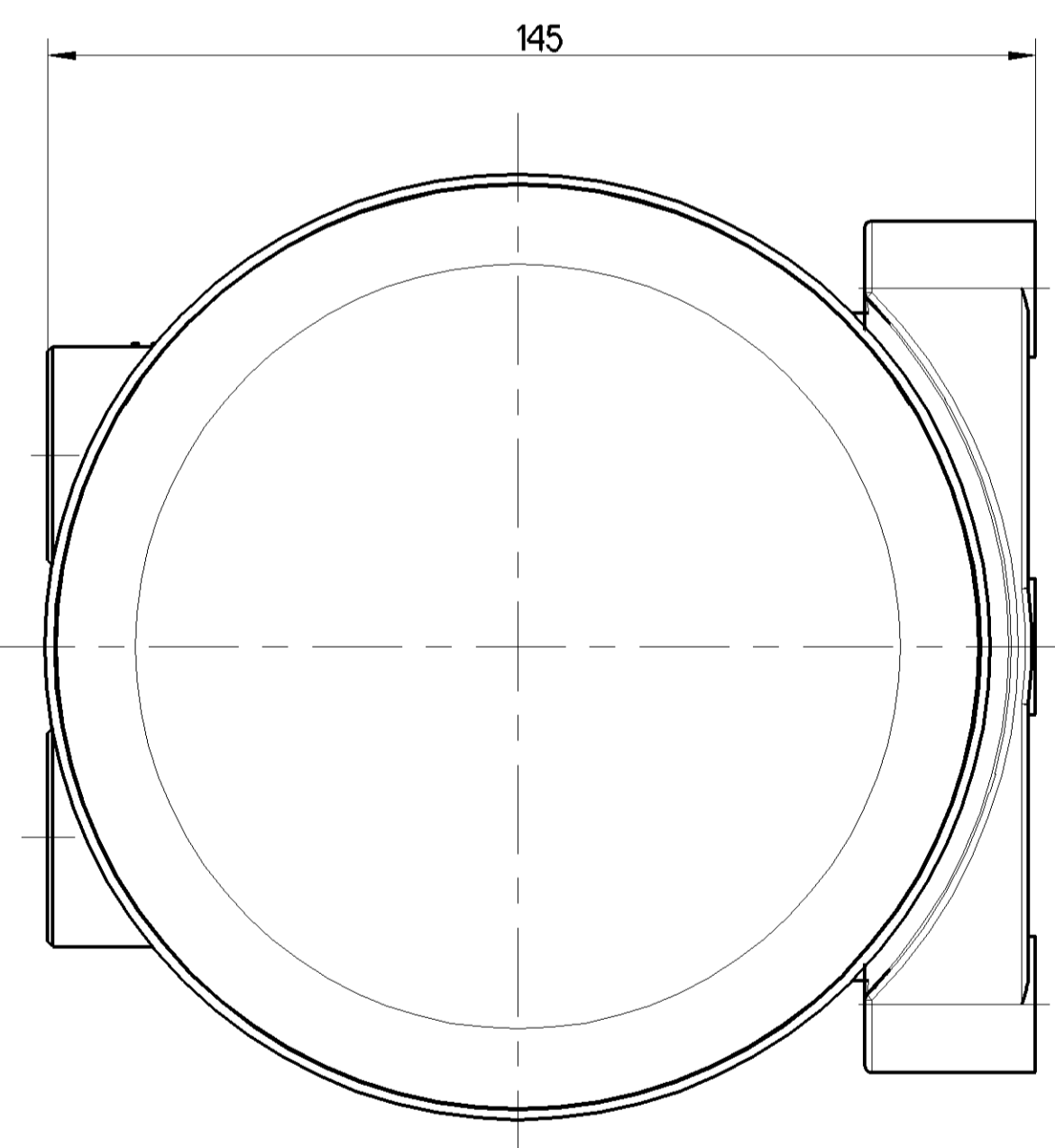
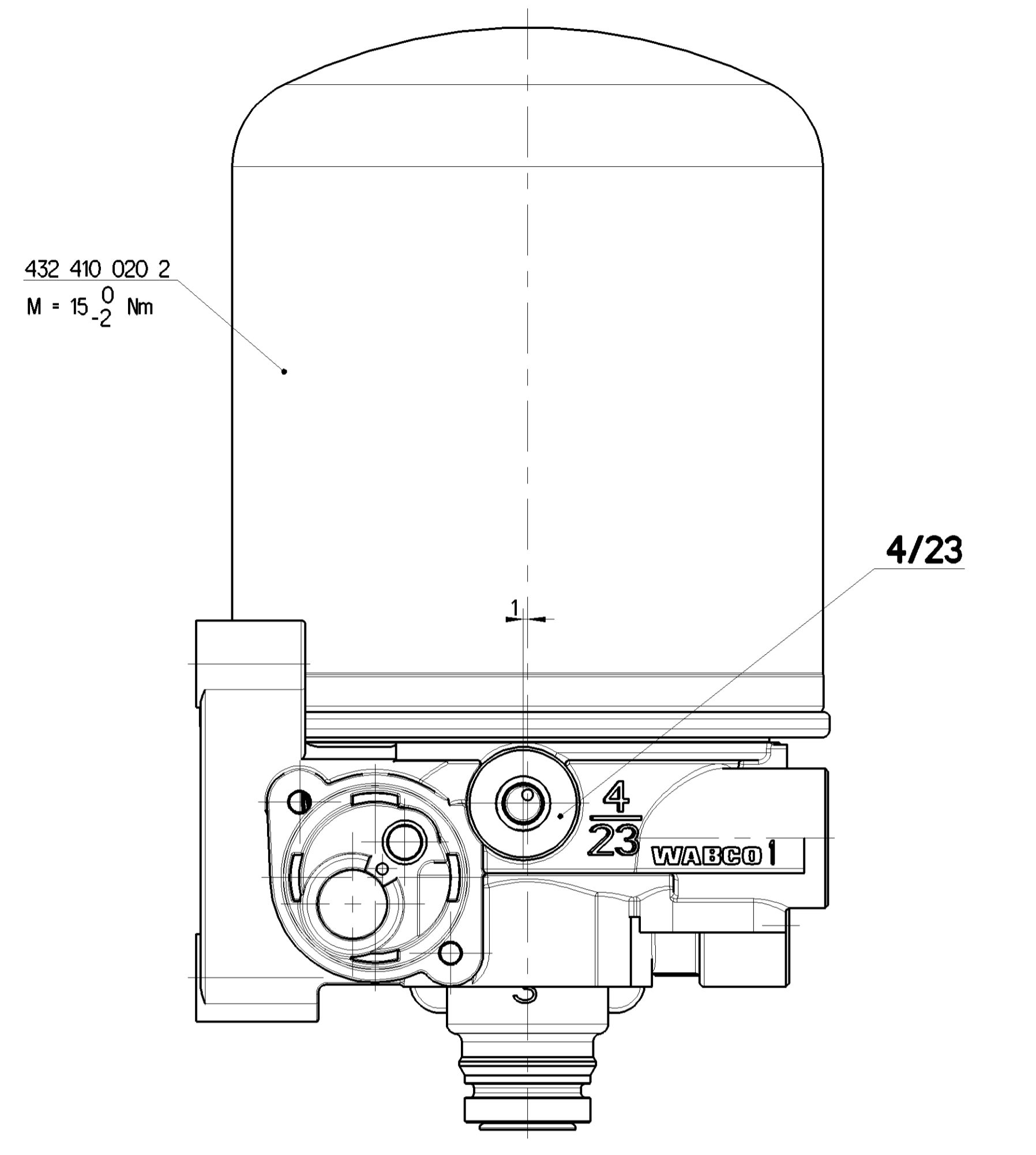
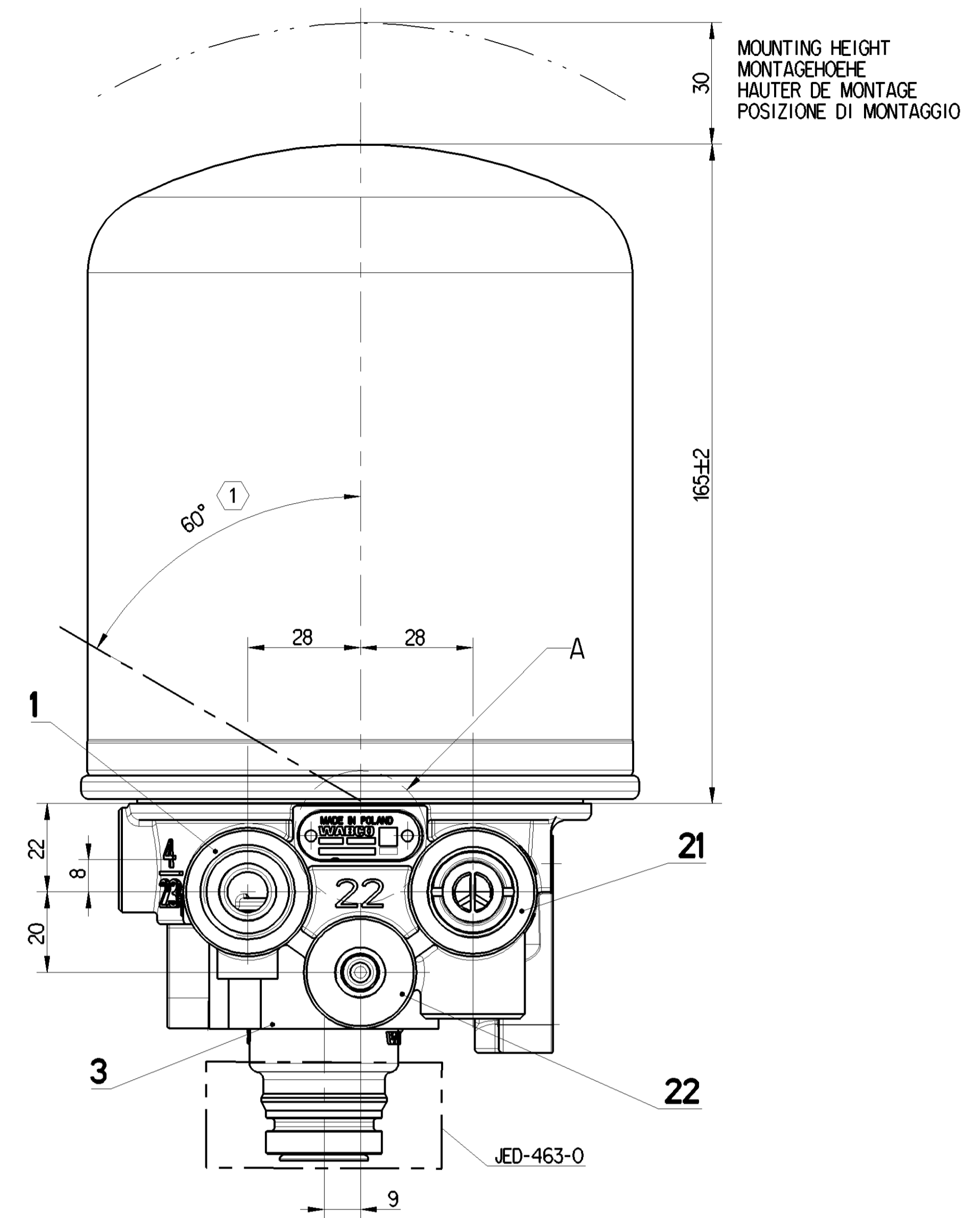
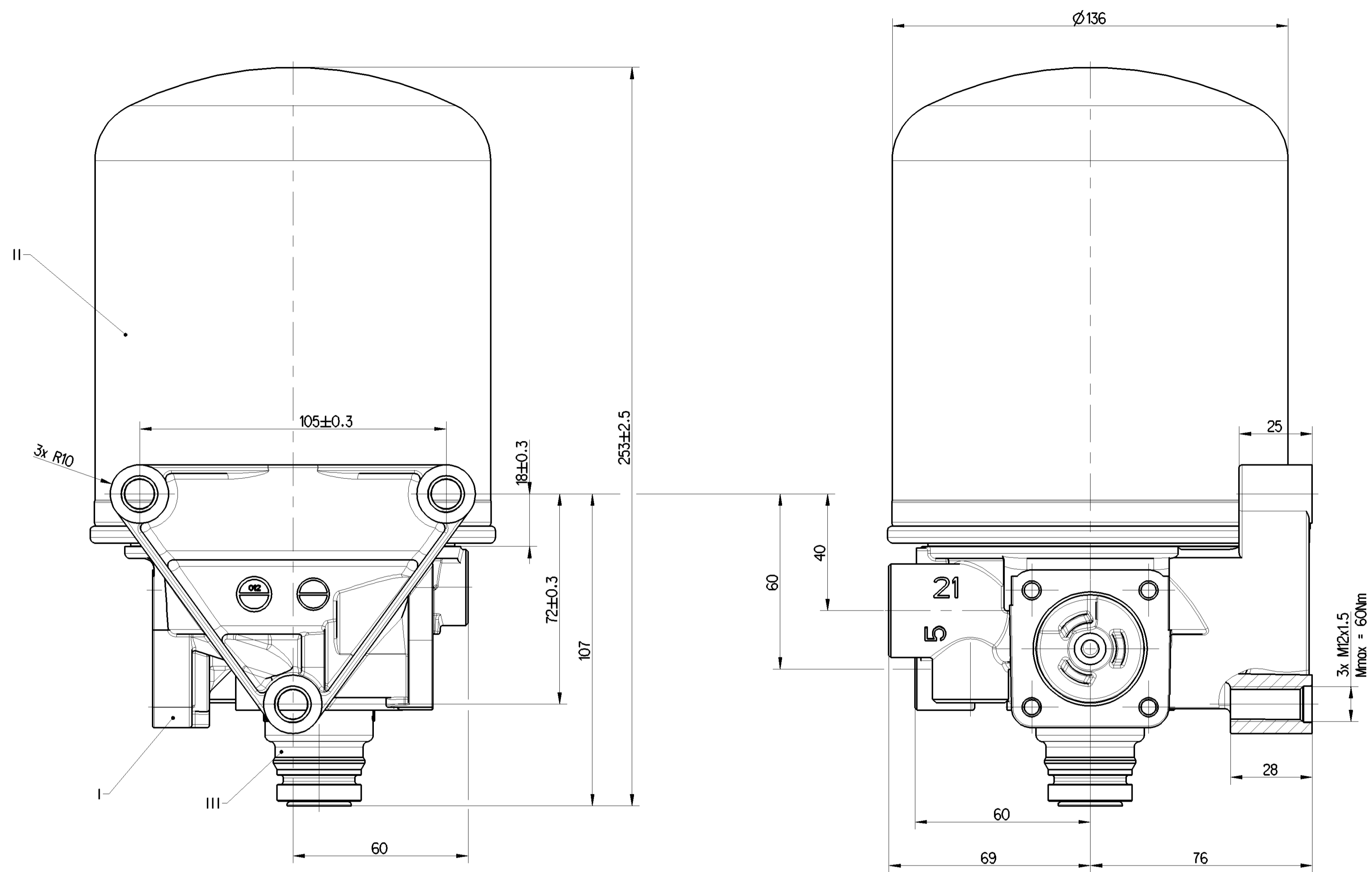


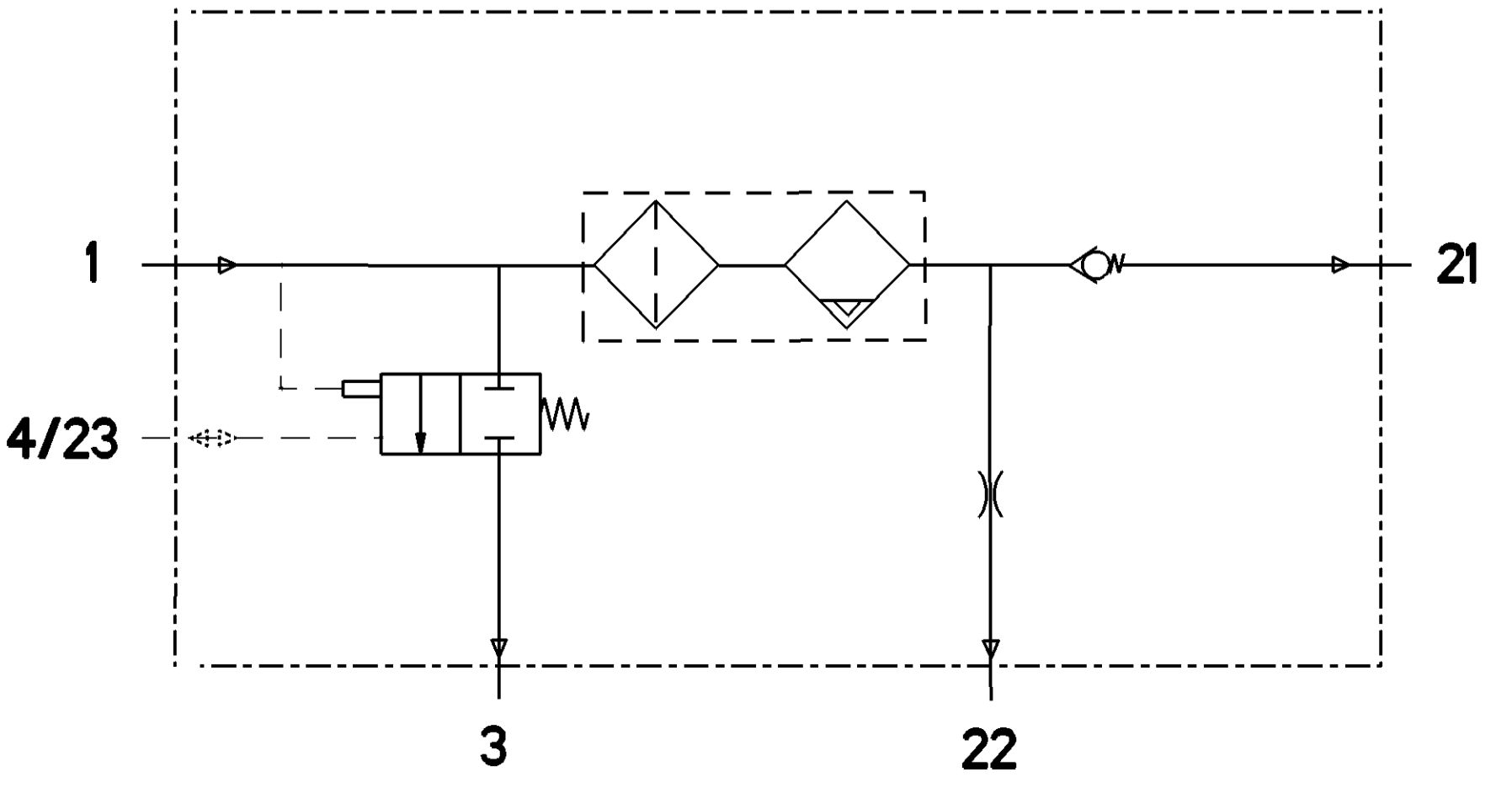
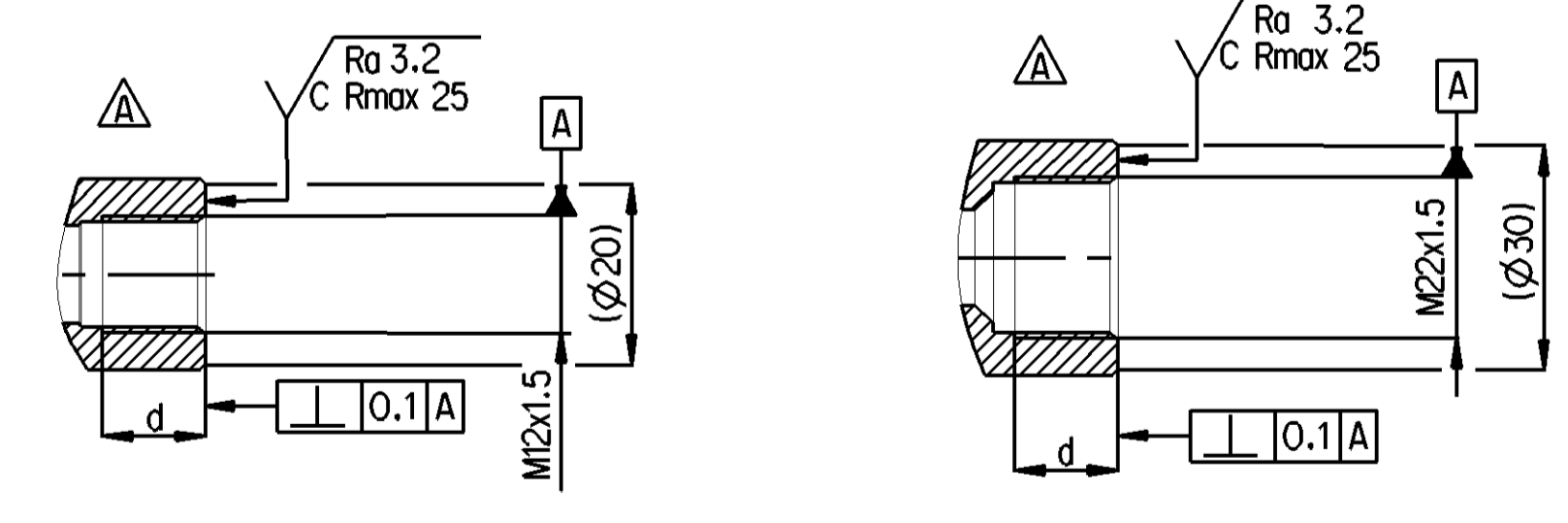
PART CODE	MATERIAL	SURFACE PROTECTION
I	ALUMINIUM ALLOY	CHROMATED
II	STEEL	PAINTED
III	PLASTIC	NO TREATMENT



PORT ANSCHLUSS ORIFIZIO	FUNCTION FUNCTION FONZIONE	THREAD GEWINDE FILETTATURA
1	FROM THE COMPRESSOR VOM KOMPRESSOR PROVENANT DU COMPRESSEUR PROVENIENTE DEL COMPRESSORE	M22x1.5 d=15
21	TO THE RESERVOIRS ZU DEN LUFTBEHALTERN AUX RESERVOIR AL SERBATOII PER	M22x1.5 d=24.5
22	TO THE RESERVOIRS FOR REGENERATED AIR ZUM REGENERATIONS-LUFTBEHALTER AUX RESERVOIRS D' AIR REGENERE AL SERBATOII PER L' ARIA RIGENERATA	M12x1.5 d=12
4/23	CONTROL PORT STEUERANSCHLUSS ORIFICE DE COMMANDE ORIFIZIO DI COMANDO	M12x1.5 d=12
3	EXHAUST FOR COMPRESSED AIR ENTLUEFTUNG FUER DRUCKLUFT ECHAPPEMENT POUR AIR COMPRI SCARICO PER ARIA COMPRESSA	SILENCER

TECHNICAL DATA, TECHNISCHE DATEN, CARACTERISTIQUES TECHNIQUES, CARATTERISTICHE TECNICHE

- THERMAL RANGE OF CONTINUOUS APPLICATION: -40°C... +65°C
- RESISTANCE TO HEAT: +80°C MAX
- WORKING PRESSURE: Pe MAX=13 bar
- MAX. PERMISSIBLE FREQUENCY: 50 Hz
- MAX. PERMISSIBLE ACCELERATION: 10 g
- OUT OUT PRESSURE: ≤ 13.0 bar
- TORQUES FOR CONNECTIONS: M12x1.5: Mmax = 21 Nm; M22x1.5: Mmax = 53 Nm



General Specifications: ISO 8015, ISO 1101, ISO 14001, ISO 14000		Copyright WABCO		WABCO	
Doc. Code: 025	Sheet: 1 To 6	Date: 2022-08-04	Author: Kuryzski	AIR DRYER LUFTTROCKNER DESSICATEUR D' AIR ESSICCATORE D' ARIA	
Class: 11	± 50 ± 80 ± 100 ± 150 ± 200 ± 300 ± 400	Scale: 1:1	Revision: 005	Date of first issue: 2006-01-30	Sheet: 1/1
Material: Steel	3.87	3.87	432 420 002 0	005	ML 1/1
Size: 4	4	4	4	4	4