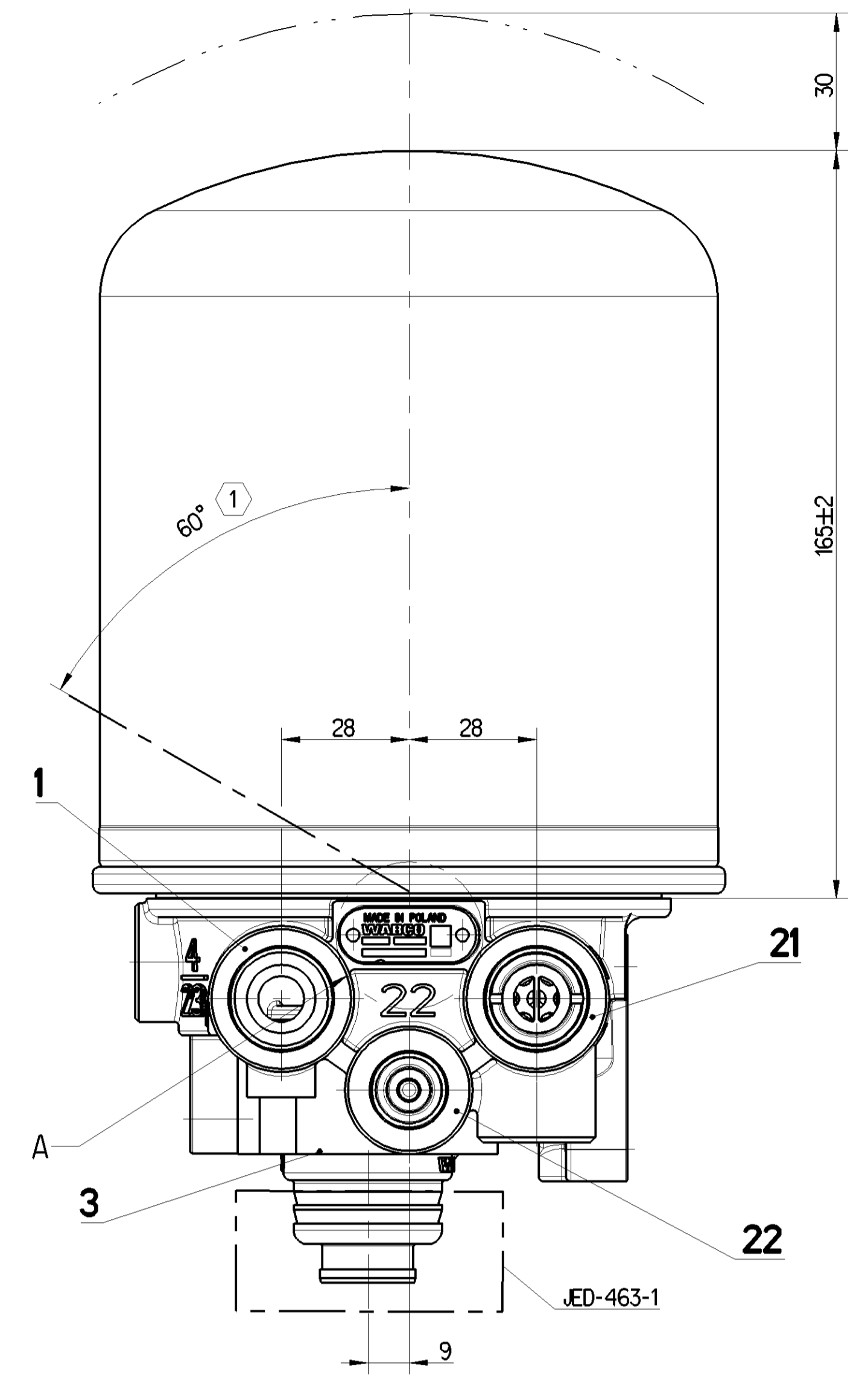
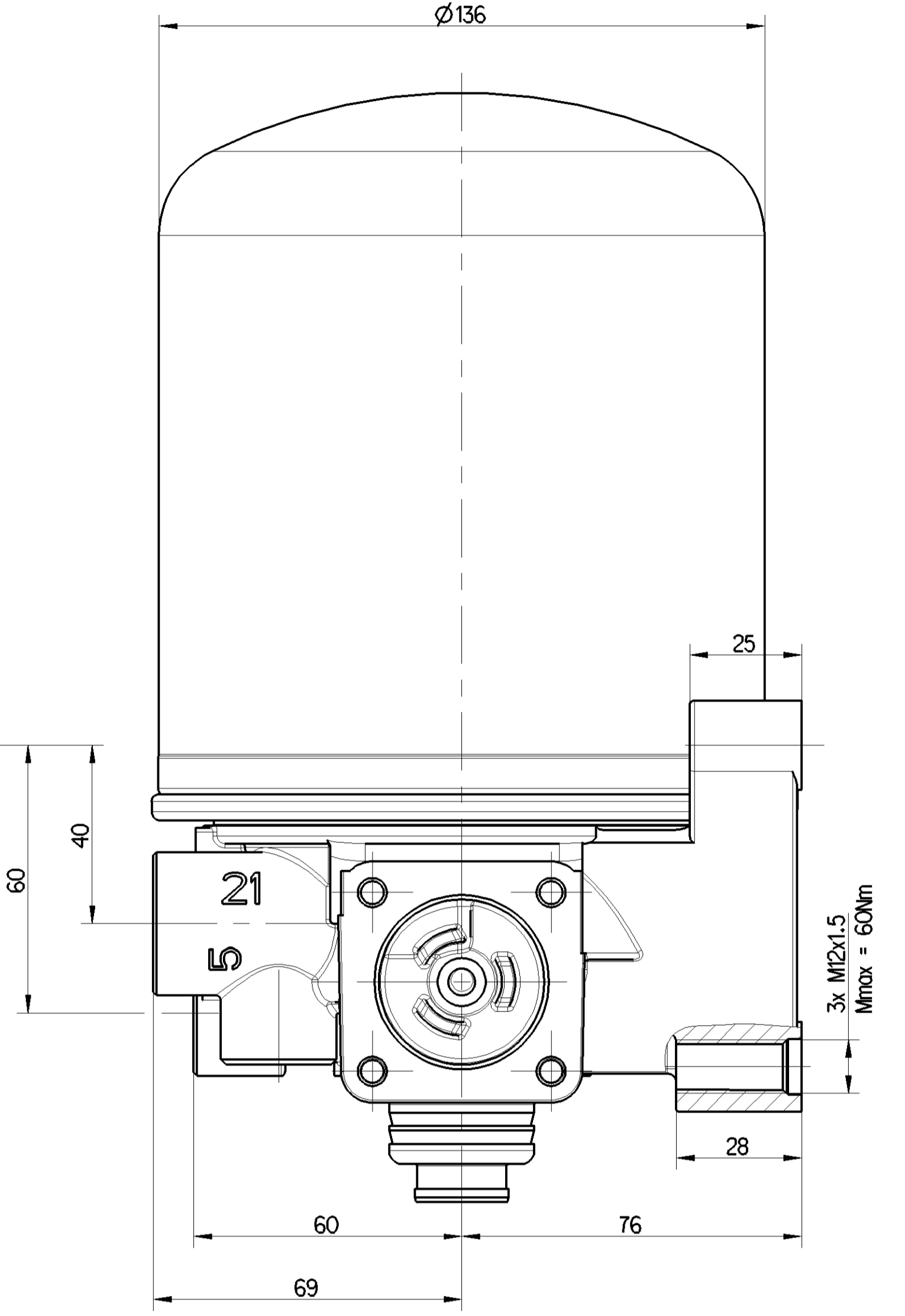
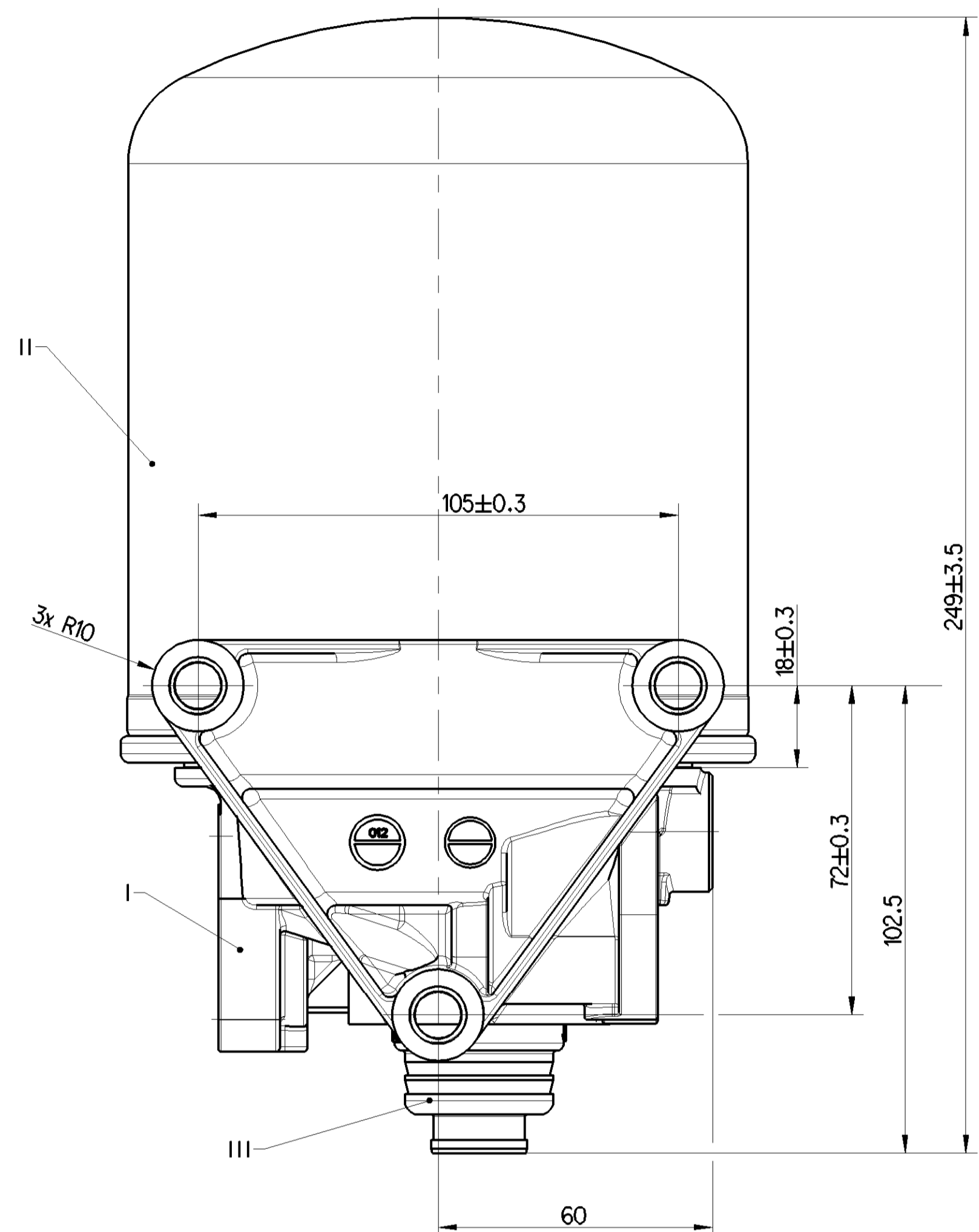
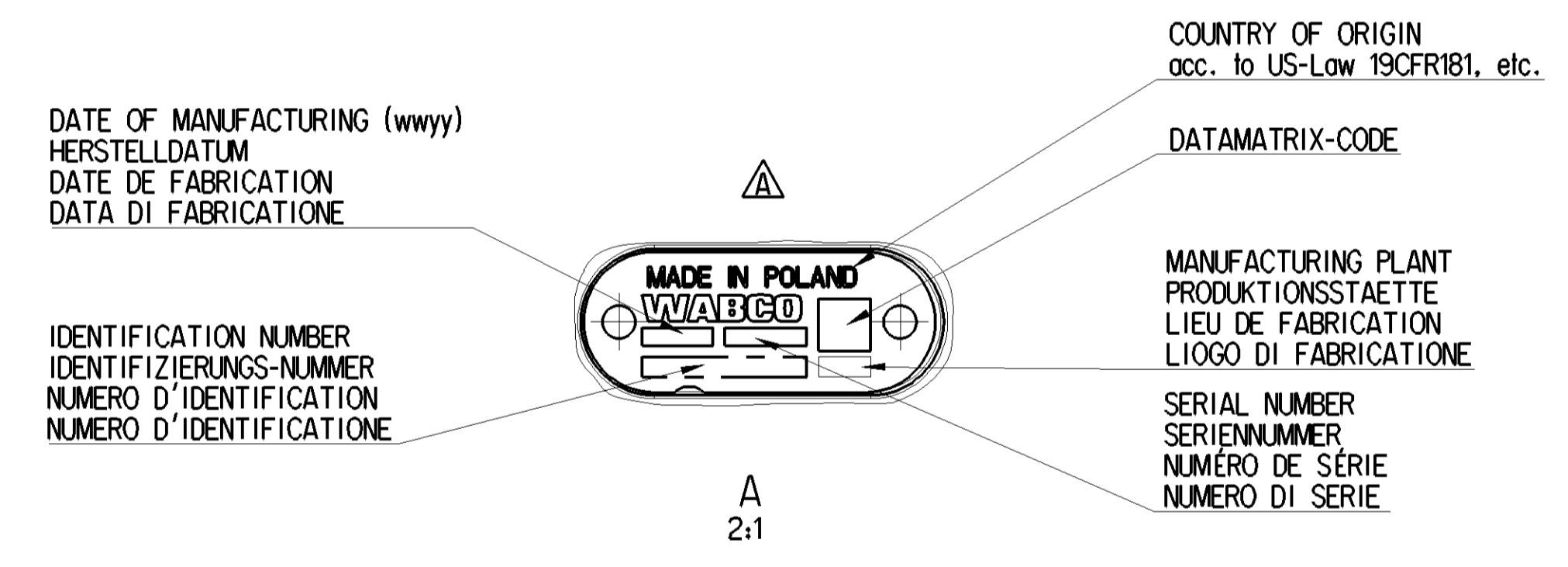
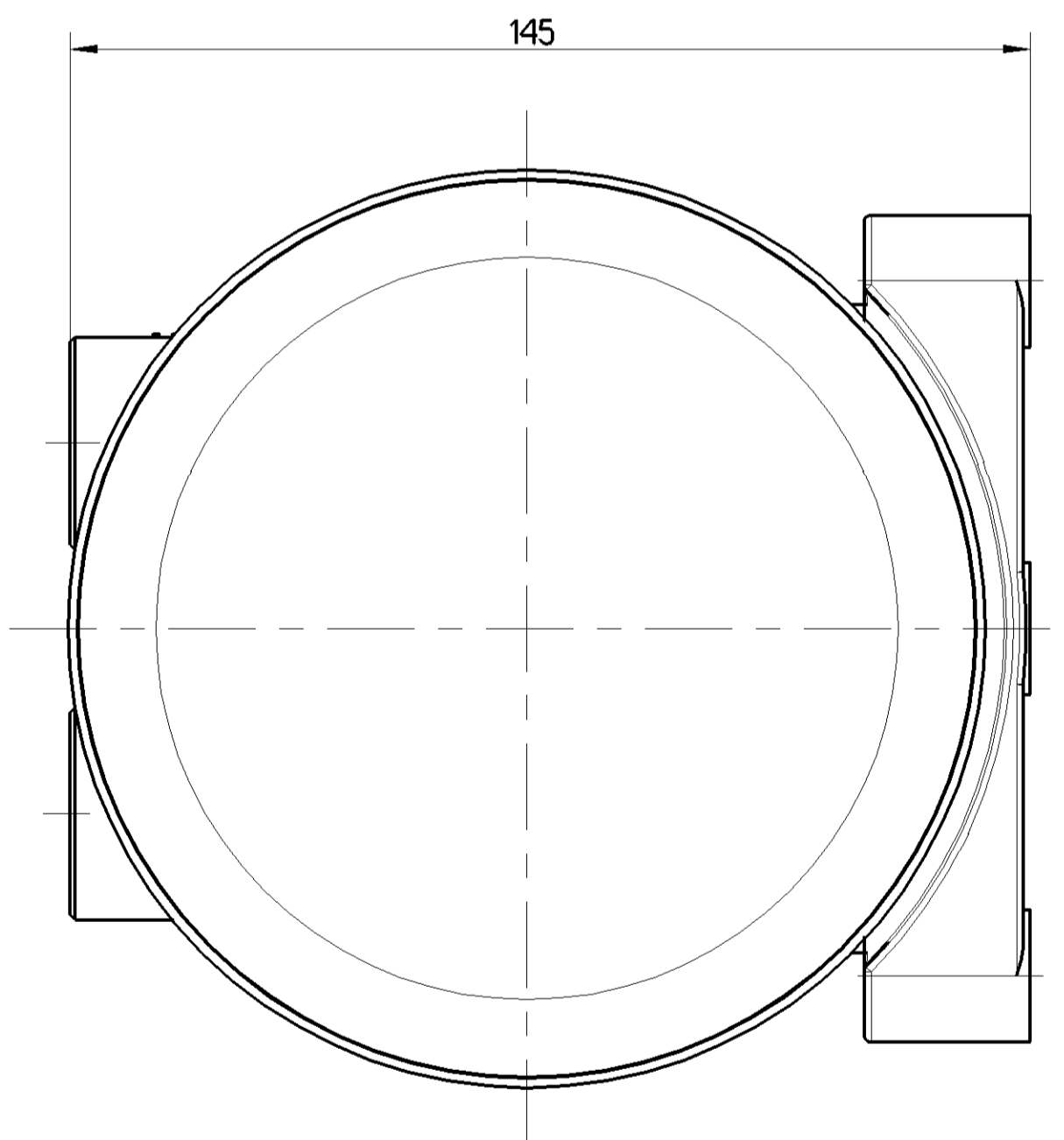
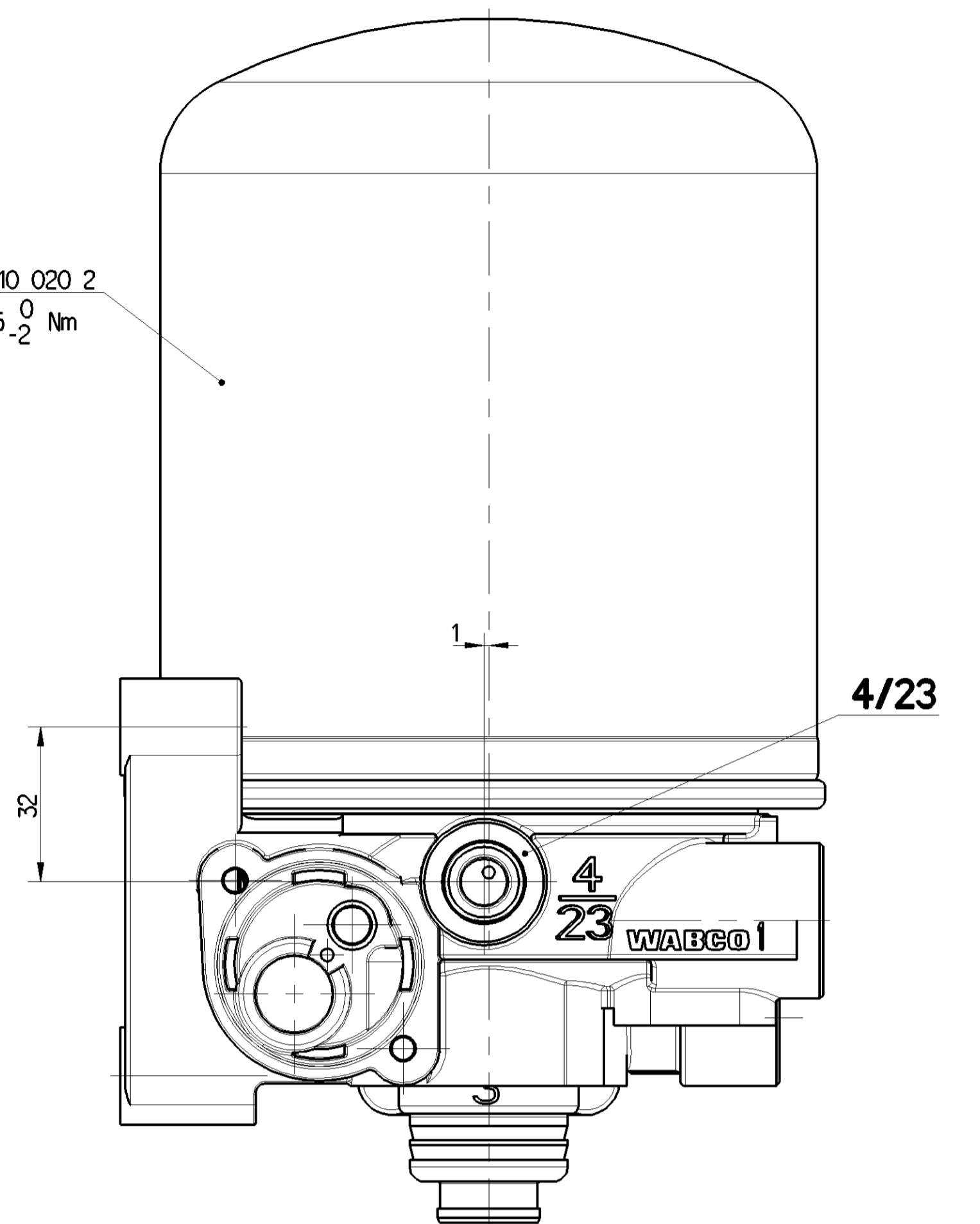


PART CODE	MATERIAL	SURFACE PROTECTION
I	ALUMINIUM ALLOY	CHROMATED
II	STEEL	PAINTED
III	PLASTIC	NO TREATMENT



MOUNTING HEIGHT
MONTAGEHOEHE
HAUTUR DE MONTAGE
POSIZIONE DI MONTAGGIO

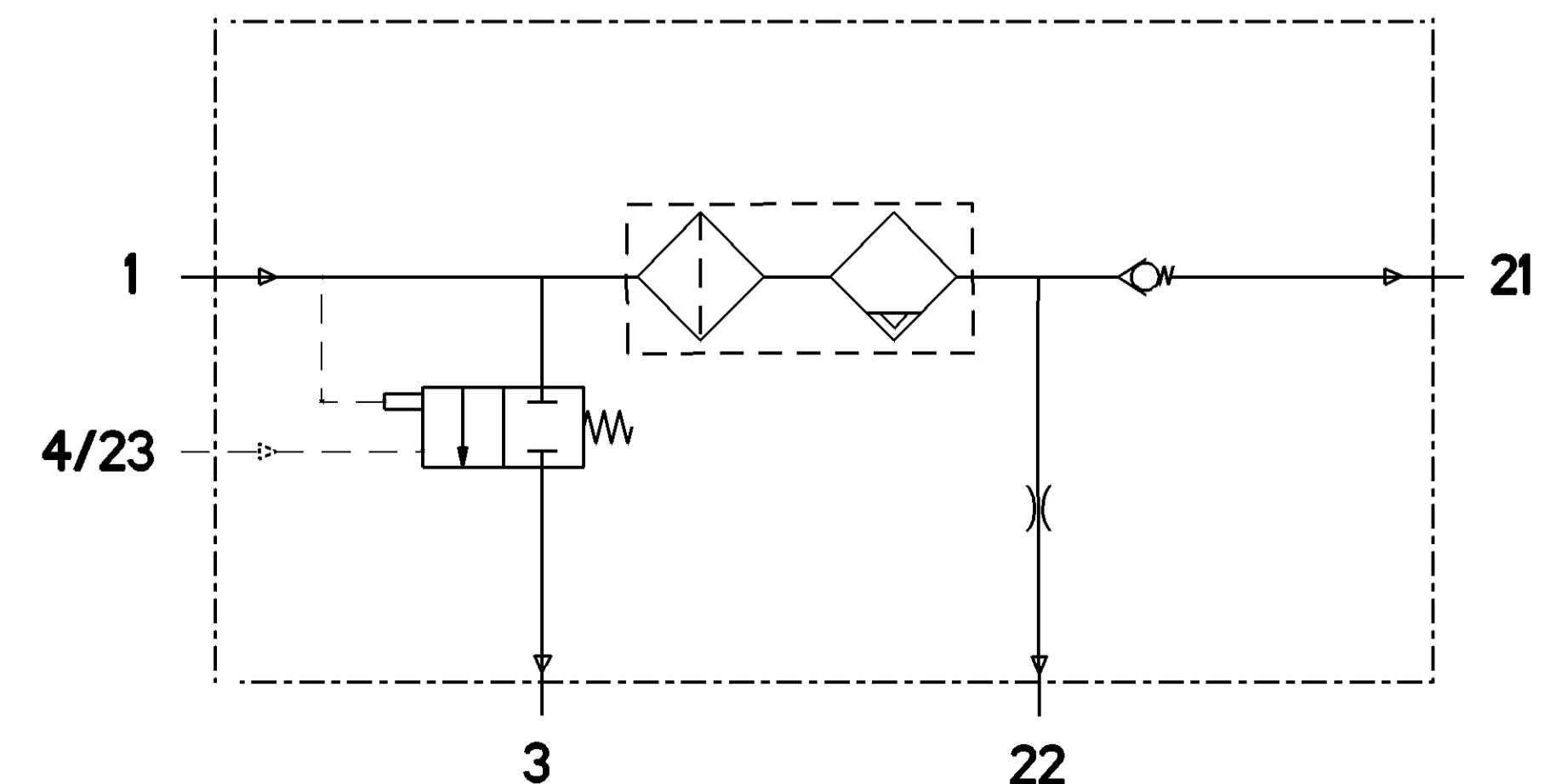
432 410 020 2
M = 15 $\frac{0}{2}$ Nm



TECHNICAL DATA, TECHNISCHE DATEN, CARACTERISTIQUES TECHNIQUES, CARATTERISTICHE TECNICHE

- THERMAL RANGE OF CONTINUOUS APPLICATION: -40°C... +65°C
- RESISTANCE TO HEAT: +80°C MAX
- MEDIUM: COMPRESSED AIR
- WORKING PRESSURE: Pe MAX+13 bar
- MAX. PREMISSIBLE FREQUENCY: 50 Hz
- MAX. PREMISSIBLE ACCELERATION: ±10 g
- COMBINED UNLOADER: DRUCKREGLER
- CUT OUT PRESSURE: ≤13.0 bar
- TORQUES FOR CONNECTIONS: M16x1.5: Mmax + 34 Nm; M22x1.5: Mmax + 53 Nm

PORT ANSCHLUSS ORIFIZIO	FUNCTION FUNCTION FONZIONE	THREAD GEWINDE FILETTAGE FILETTATURA
1	FROM THE COMPRESSOR / ZUM KOMPRESSOR / PROVENANT DU COMPRESSEUR / PROVENIENTE DEL COMPRESORE	M22x1.5 JED-388
21	TO THE RESERVOIRS / ZU DEN LUFTBEHALTERN / AUX RESERVOIR / AL SERBATOII PER	M22x1.5 JED-388-4
22	TO THE RESERVOIRS FOR REGENERATED AIR / ZUM REGENERATIONS-LUFTBEHALTER / AUX RESERVOIR D' AIR REGENERE / AL SERBATOII PER L' ARIA RIGENERATA	M16x1.5 JED-388
4/23	CONTROL PORT / TO THE COMPRESSOR / ORIFICE DE COMMANDE / AU COMPRESSEUR	M16x1.5 JED-388
3	EXHAUST FOR COMPRESSED AIR / ENTLUEFTUNG FUER DRUCKLUFT / ECHAPPMENT POUR AIR COMPRI ME / SCARICO PER ARIA COMPRESA	-



General Specification: ISO 8015, JED-534-1, Size ISO 14405 LP

Doc. Code: 020

2022-08-04

2022-09-09

3.87

A 0

WABCO

AIR DRYER / LUFTTROCKNER / DESSICATEUR D' AIR / ESSICCATORE D' ARIA

432 421 008 0

005 ML 1/1

5050

REMOVED FROM 432421000

1 INSTALLATION POSITION AS DRAWN
EINBAUWEISE WIE GEZEICHNET
POSITION D' INSTALLATION SUIVANT DESSIN
POSIZIONE DI MONTAGGIO COME DISEGNATO