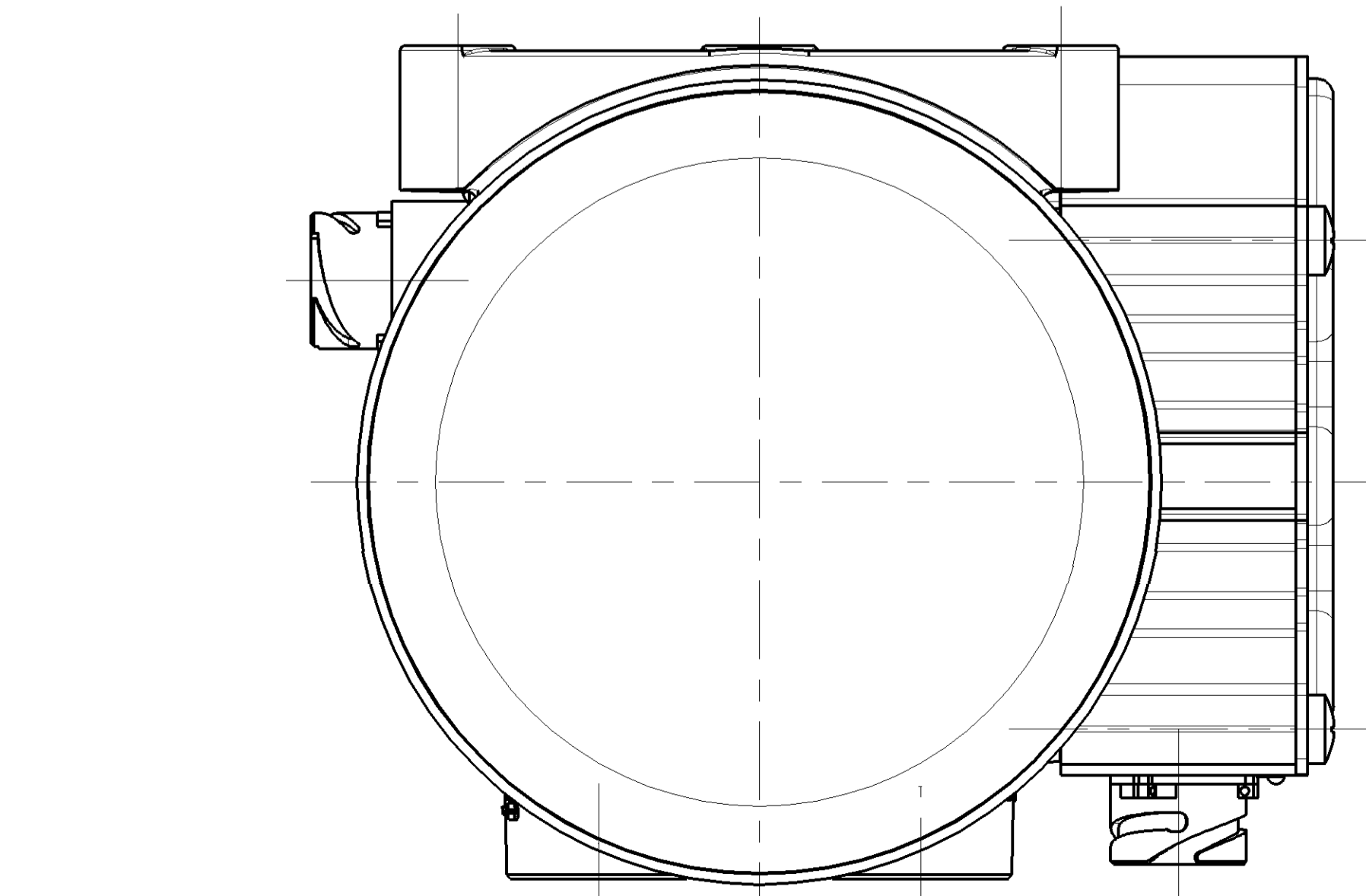
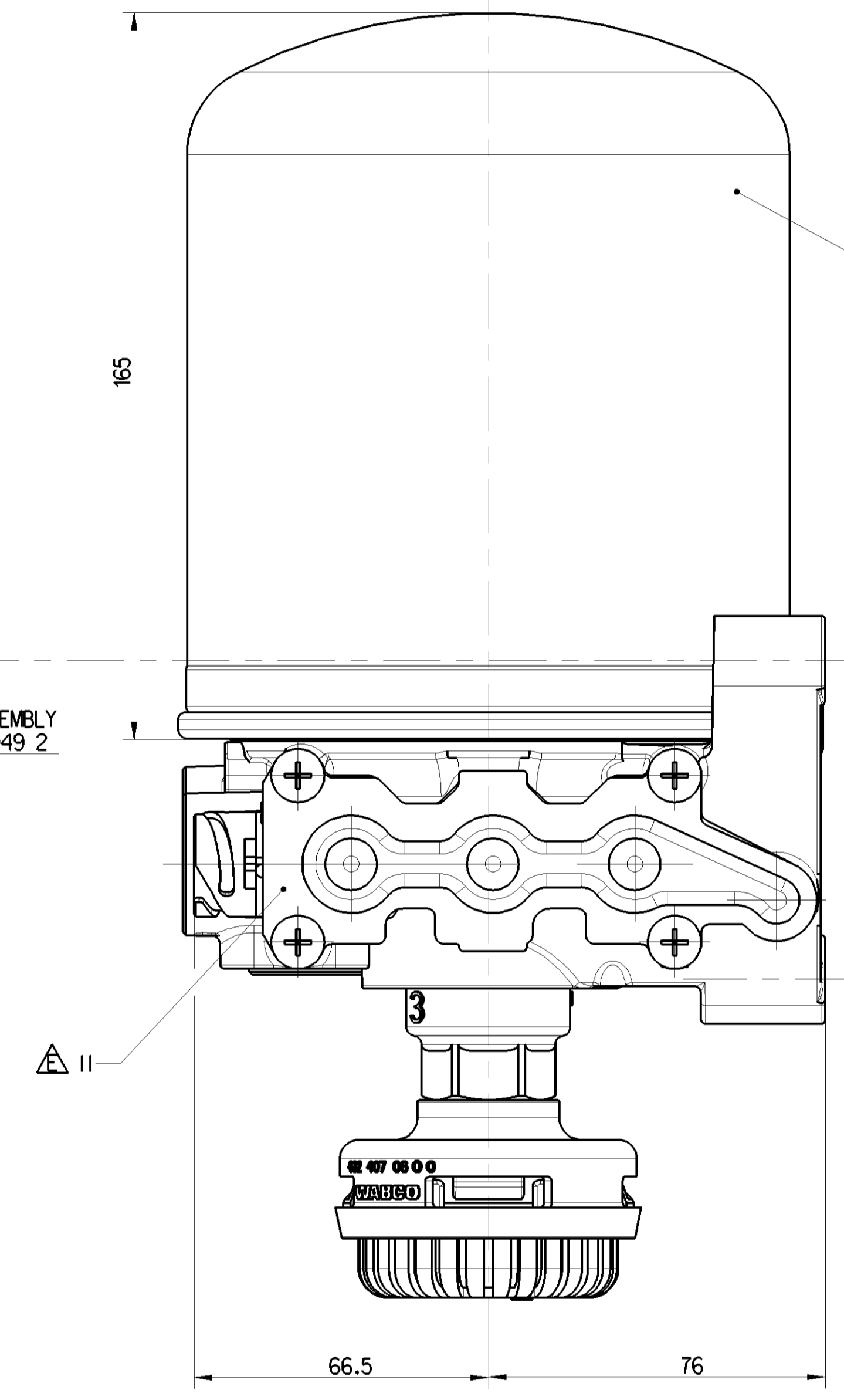
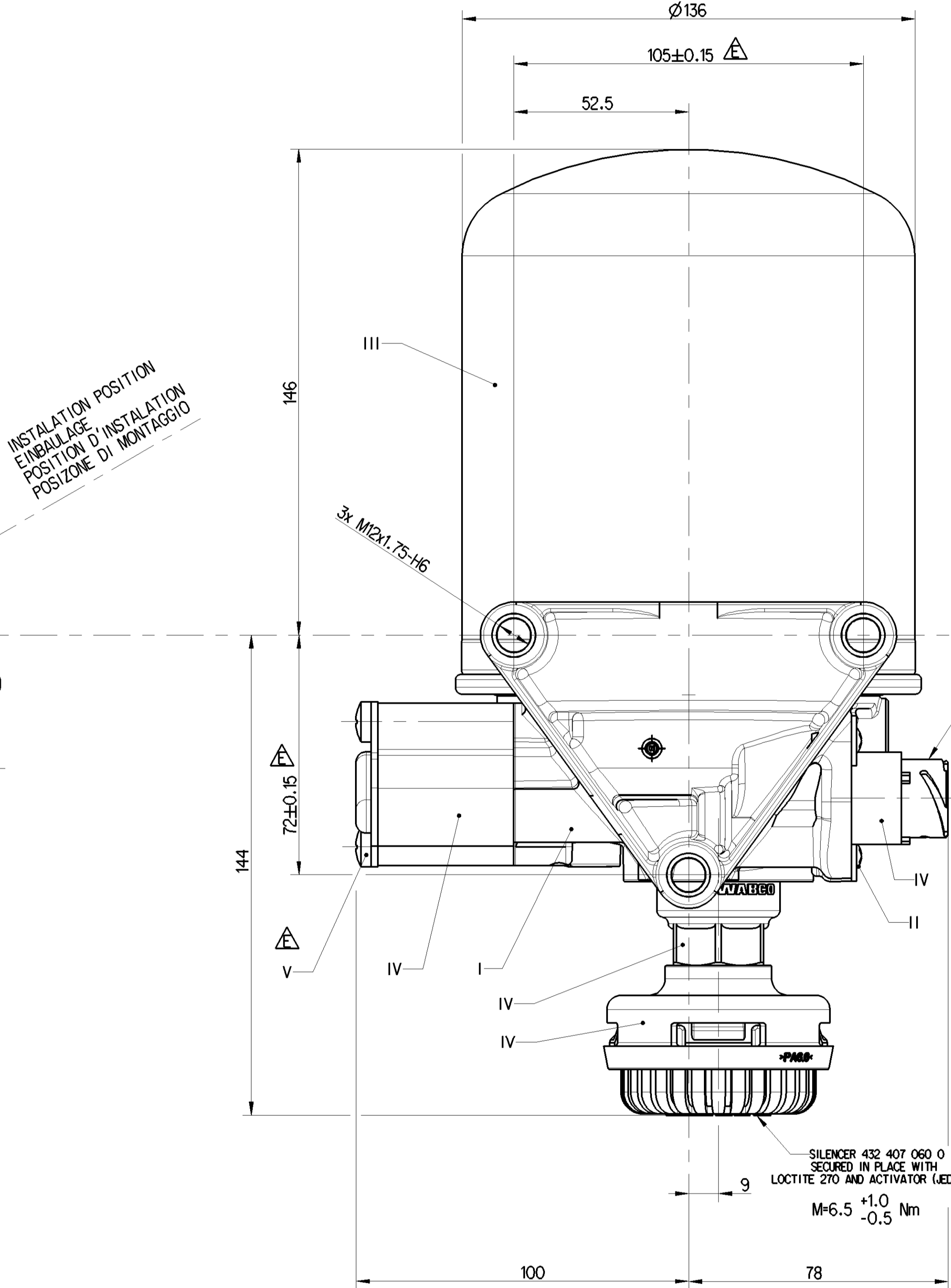
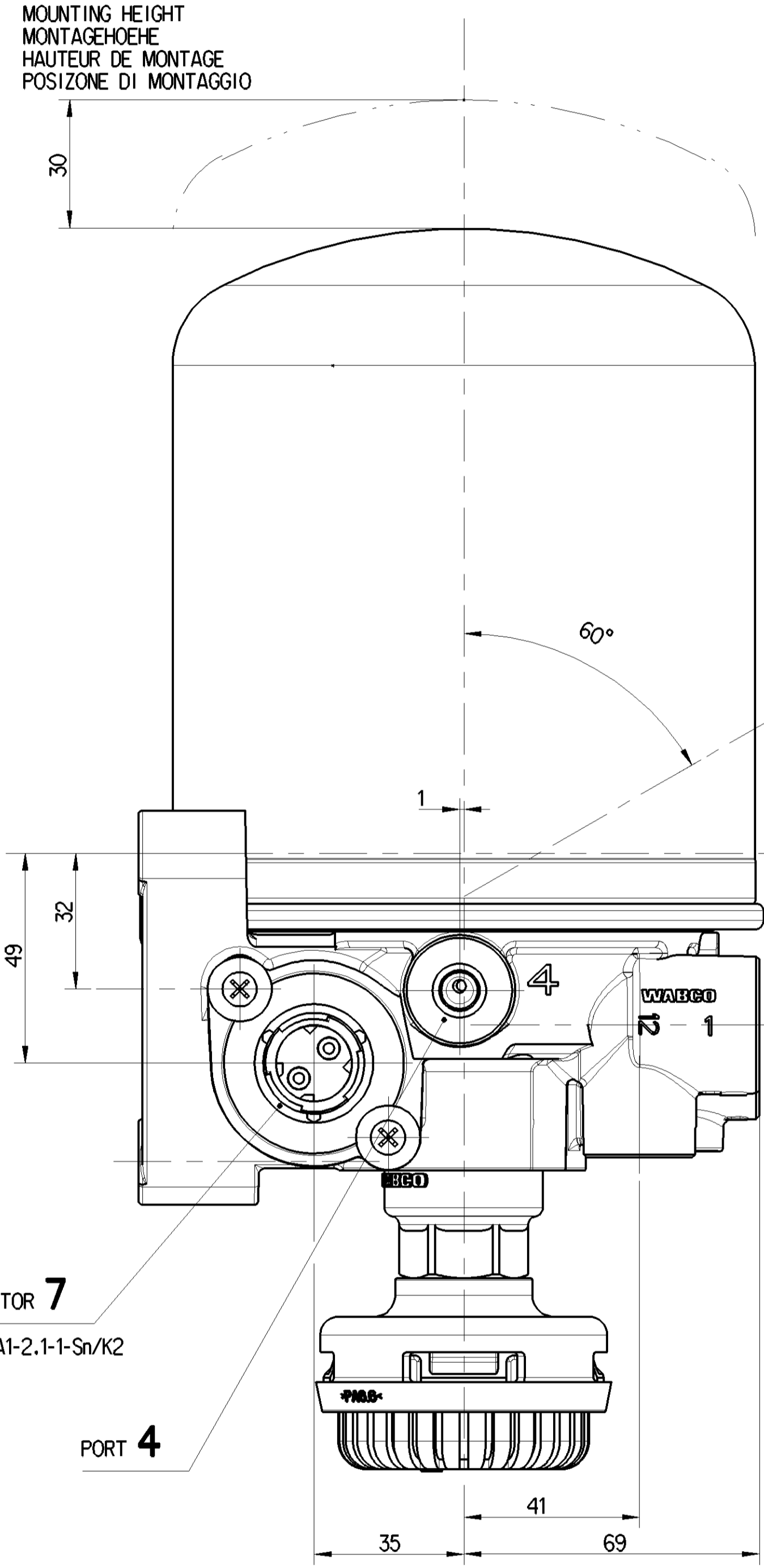
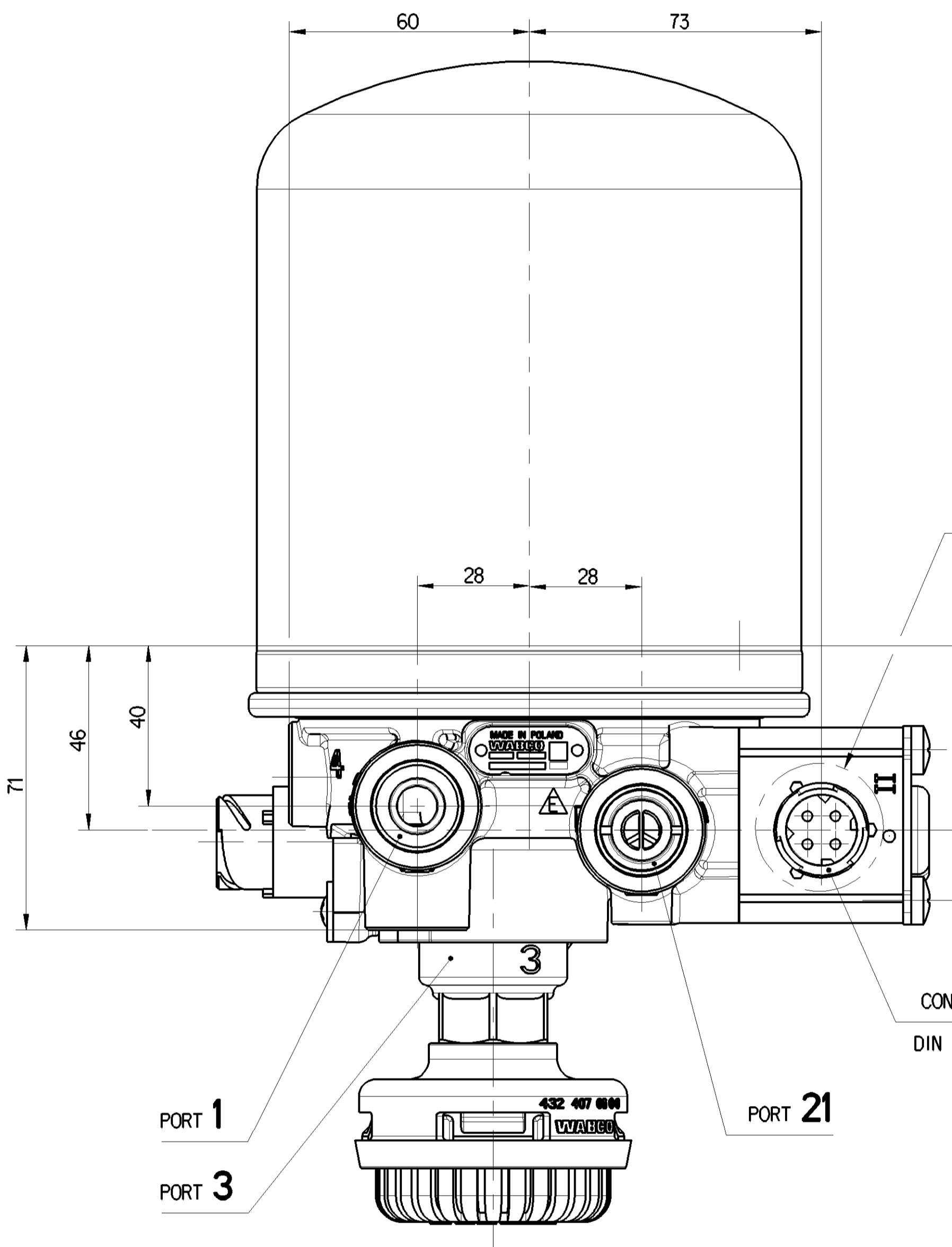
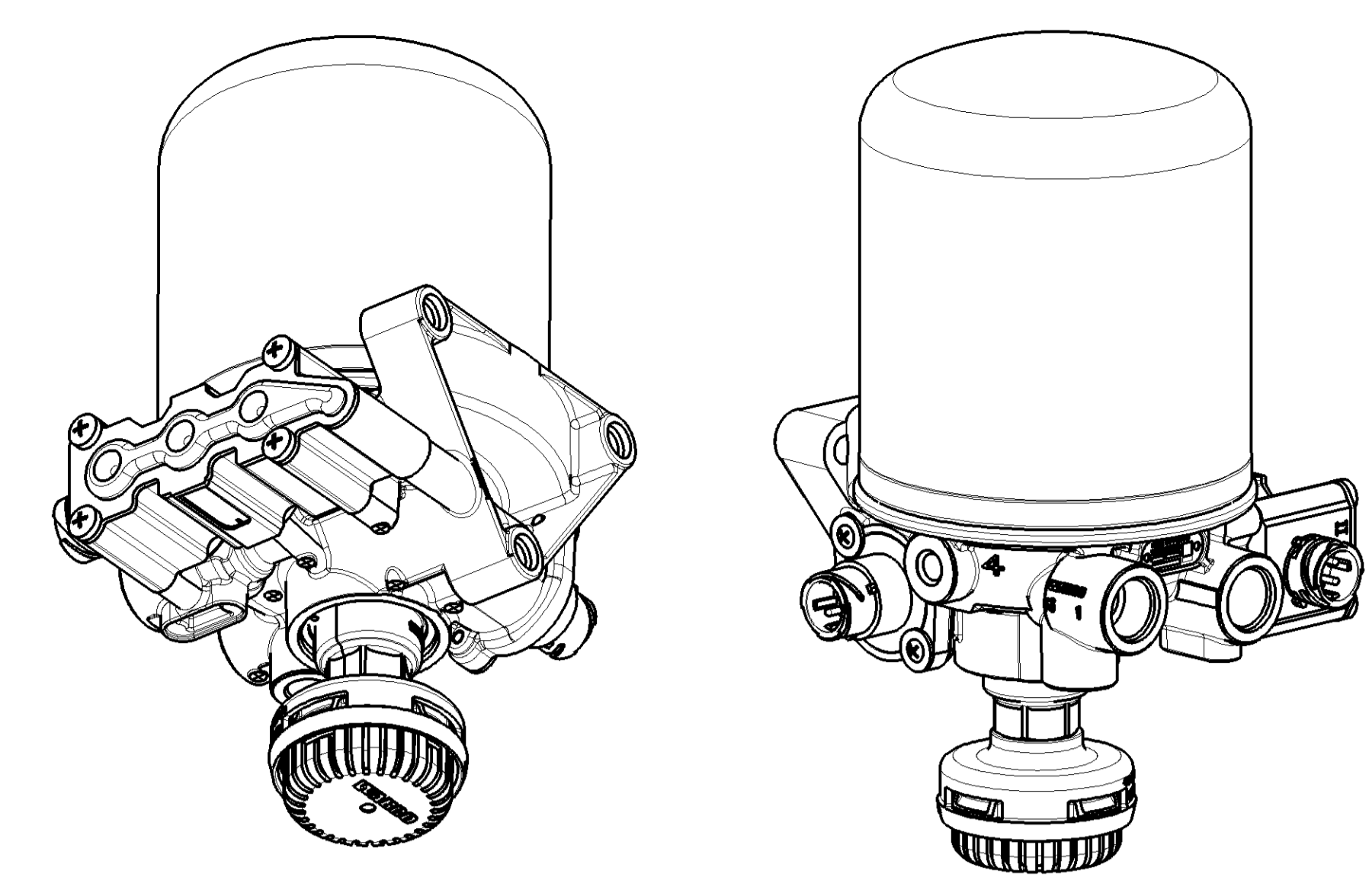
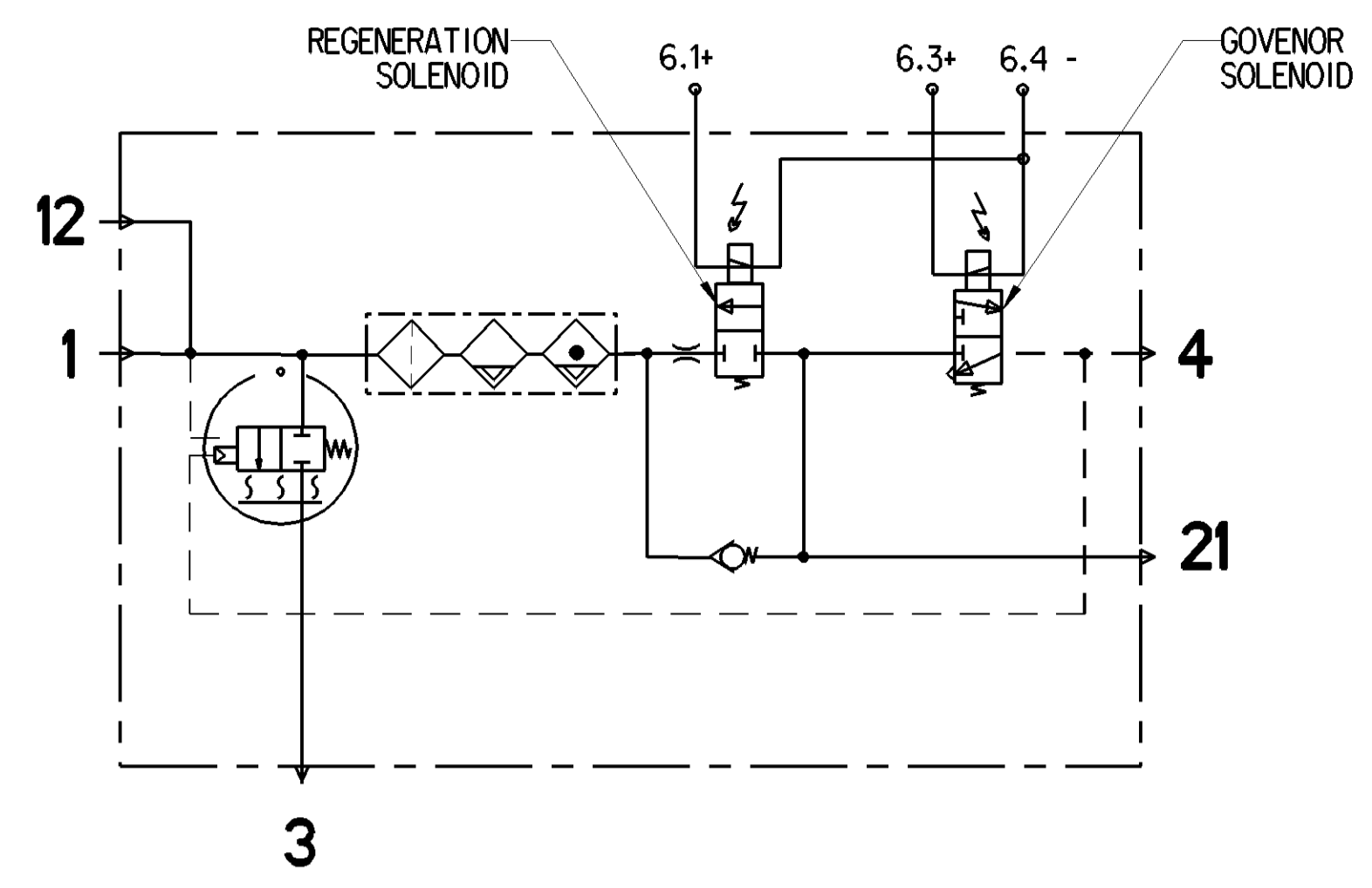
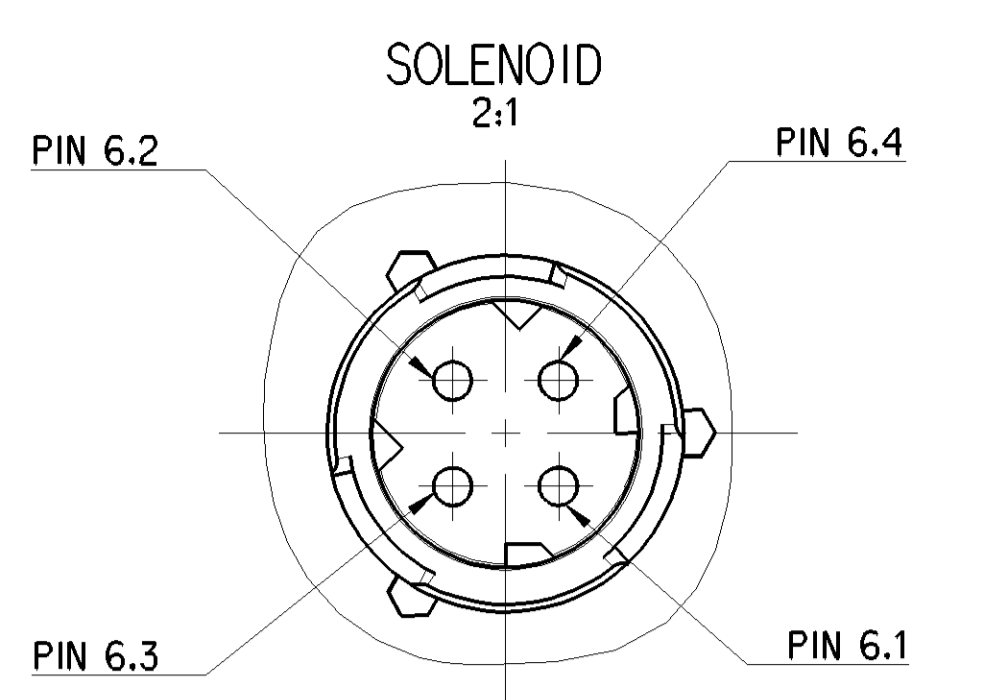
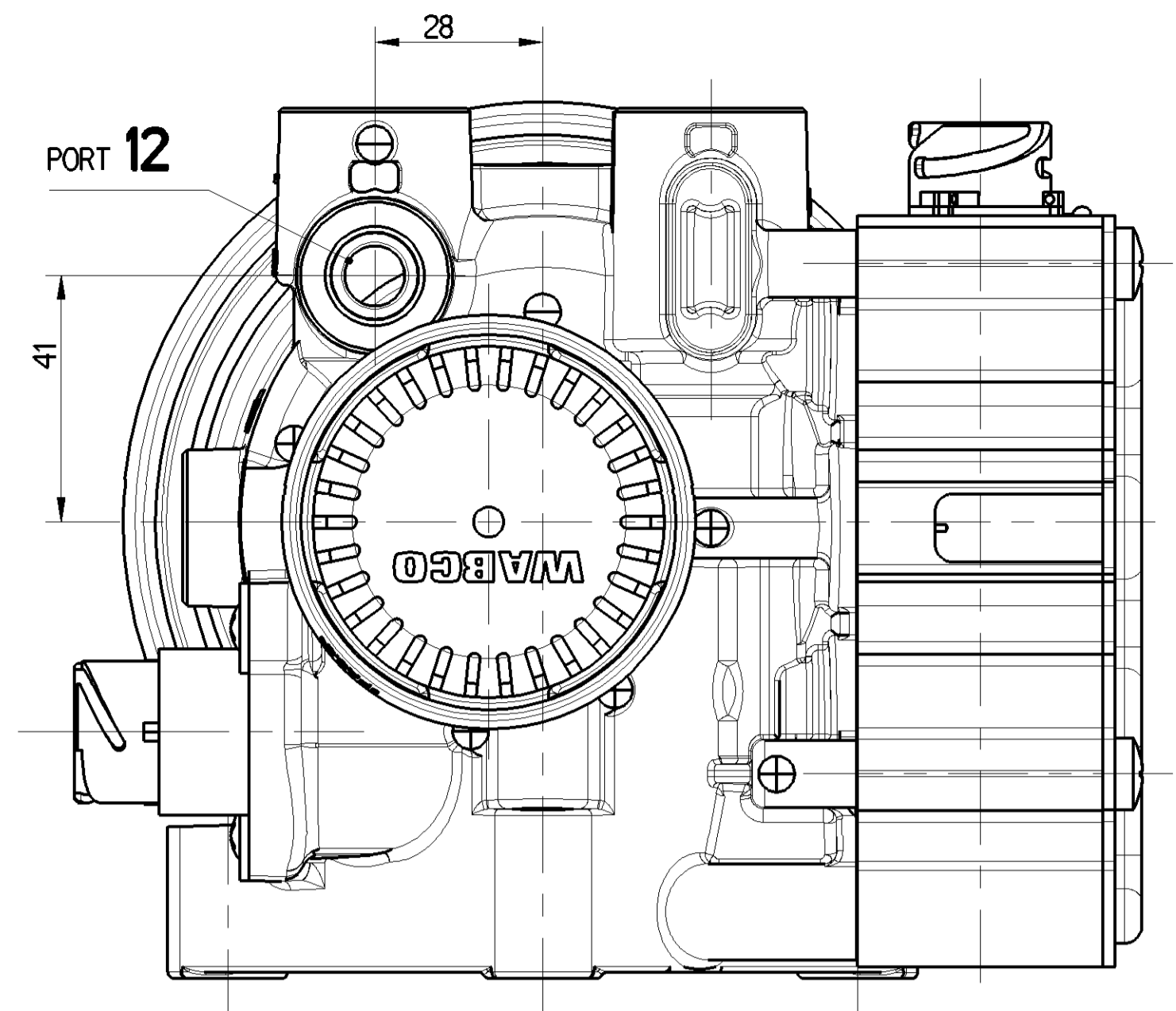


PART CODE	MATERIAL	SURFACE PROTECTION
I	ALUMINIUM ALLOY	CHROMATED
II	STEEL	PASSIVATED
III	STEEL	PAINTED
IV	PLASTIC	NO TREATMENT
V	STEEL	ZN/NI PASSIVATION



THERMAL RANGE OF CONTINUOUS APPLICATION:
THERMISCHER DAUERANWENDUNGSBEREICH:
PLAGE DE TEMPERATURE EN UTILISATION CONTINUE:
COMPO DI APPLICAZIONE CONTINUA: -40°C...+65°C

RESISTANCE TO HEAT:
WAERMEBESTAENDIGKEIT:
RESISTANCE A LA CHALEUR:
RESISTANZA AL CALORE: +80°C MAXIMUM

MEDIUM, COMPRESSED AIR:
MEDIUM: DRUCKLUFT
FLUIDE: AIR COMPRIME
FLUIDO: ARIA COMPRESSA

WORKING PRESSURE:
BETRIEBSDRUCK:
PRESSION DE SERVICE:
PRESSIONE D' ESERCIZIO: Pe MAXIMUM=13bar

INSTALLATION POSITION AS DRAWN:
EINBALLAGE WIE GEZEICHNET
POSITION D' INSTALLATION SUIVANT DESSIN
POSIZIONE DI MONTAGGIO COME DISEGNATO

TORQUE FOR CONNECTIONS:
ANZUGSMOMENT FUER EINSCHRAUBSTUTZEN:
COUPLE DE SERRAGE DES RACCORDS:
COPPIA DI SERRAGGIO DE RACCORDI: M12x1.5-21Nm MAXIMUM
M16x1.5-34Nm MAXIMUM
M22x1.5-53Nm MAXIMUM

DYNAMIC PRESSURE OF THE SAFETY VALVE:
STAUDRUCK DES SICHERHEITSVENTILES:
PRESSION DYNAMIQUE DU SOUPAPE DE SECURITE:
PRESSIONE DINAMICA DELLA VALVOLA DI SICUREZZA: <23.5bar AT 100 dm³/min

(7) HEATING
HEIZUNG
CHAUFFAGE
RISCALDAMENTO

HEATING CUT-IN TEMPERATURE:
HEIZUNG EINSCHALT-TEMPERATUR
CHAUFFAGE TEMPERATURE DE FERMETURE:
RISCALDAMENTO TEMPERATURA DI CHIUSURA: 7±6°C

HEATING CUT-OFF TEMPERATURE:
HEIZUNG AUSSCHALT-TEMPERATUR:
CHAUFFAGE TEMPERATURE DE MISE:
RISCALDAMENTO TEMPERATURA DI APERTURA: 29.5±3°C

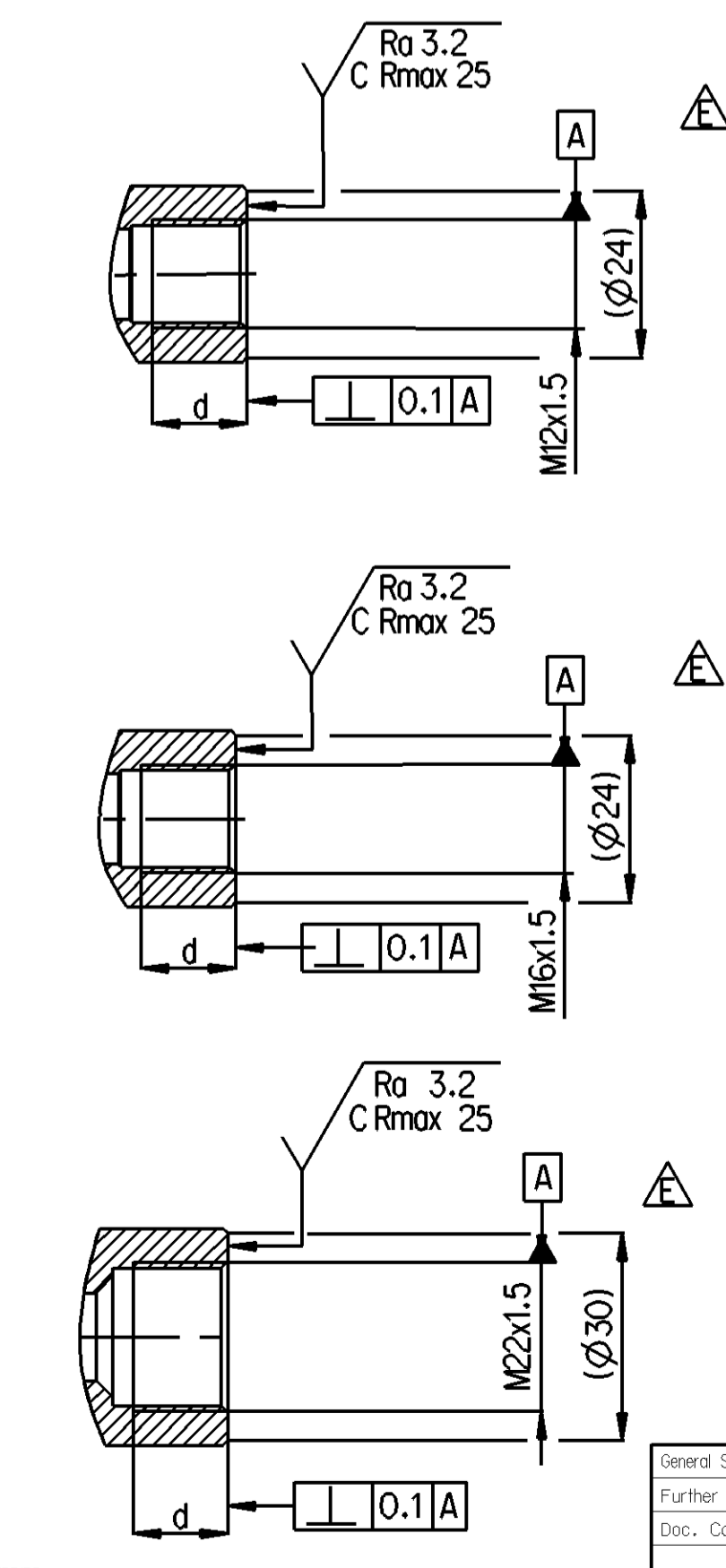
NOMINAL POWER:
NENNLEISTUNG:
COURANT NOMINAL:
CORRENTE NOMINALE: 100W

POWER WITH 24V DC:
LEISTUNG BEI 24V DC:
PUISSANCE AVEC 24V DC:
POTENZA CON 24V DC: 95±0/-5W

(6) SOLENOID
VENTILMAGNET
SOLENOID
AIMANT

GOVERNOR	REGENERATION
(6.3) SOLENOID VENTILMAGNET SOLENOID AIMANT	(6.1) SOLENOID VENTILMAGNET SOLENOID AIMANT
WORKING VOLTAGE: BETRIEBSSPANNUNG: VOLTAGE D'UTILISATION: VOLTAGGIO DI ESERCIZIO: 24 ±5.0/-4.4V DC	WORKING VOLTAGE: BETRIEBSSPANNUNG: VOLTAGE D'UTILISATION: VOLTAGGIO DI ESERCIZIO: 24 ±5.0/-4.4V DC
NOMINAL CURRENT: NENNSTROM: COURANT NOMINAL: CORRENTE NOMINALE: 0.32A	NOMINAL CURRENT: NENNSTROM: COURANT NOMINAL: CORRENTE NOMINALE: 0.5A
SERVICE CONDITION: BETRIEBSART: CONDITION DU SERVICE: CONDIZIONE DI SERVIZIO: 100% ED	SERVICE CONDITION: BETRIEBSART: CONDITION DU SERVICE: CONDIZIONE DI SERVIZIO: 50% ED

NOMINAL DIAMETER SUPPLY / EXHAUST
NENNWEITE BELIEFUNG / ENTLIEFUNG
DIAMETRE NOMINAL ALIMENTATION / ECHAPPMENT
DIAMETRO NOMINALE ALIMENTAZIONE / SCARICO: Ø1.25/- mm



PORT ANSCHLUS ORIFIZIO	FUNCTION FUNCTION FUNCTION	THREAD GEWINDE FILETTATURA
1	FROM THE COMPRESSOR VOM KOMPRESSOR PROVENANT DU COMPRESSEUR PROVENIENTE DEL COMPRESSORE	M22x1.5-6H d=15
12	AUXILIARY FILL HILFSFUELLUNG L'AUXILIAIRE REMPLIT L'AUSILIARE RIEMPE	M16x1.5-6H d=12
21	TO THE RESERVOIRS ZU DENI LUFTBEHAELTERN AUX RESERVOIR AL SERBATOII PER	M22x1.5-6H d=25.5
3	EXHAUST FOR COMPRESSED AIR ENTLUEFTUNG FUER DRUCKLUFT ECHAPPMENT POUR AIR COMPRI SCARIO PER ARIA COMPRESSA	SILENCER 432 407 060 0
4	TO THE COMPRESSOR ZUM KOMPRESSOR AU COMPRESSEUR AL COMPRESSORE	M12x1.5-6H d=12
6	ELECTRICAL CONTROL ELEKTRISCHER STEUERANSCHLUSS COMMANDE ELECTRIQUE COMANDO ELETTRICO	-
7	HEATING HEIZUNG CHAUFFAGE RISCALDAMENTO	-

General Specification ISO 8015, ISO 8016, ISO 8017, ISO 14405 LP
Further Technical Data: Product Specification
Doc. Code: 020
Date: 2022-02-09
Sheet: 1 To 3
Copyright © 2022 WABCO
2022-02-11
Zimpro
2021 x 150 x 102
Dimensione in mm
Class: 11 ± 50 ± 80 ± 100 ± 180 ± 400
Fine: ±0.05 ±0.1 ±0.15 ±0.2
Medium: X ±0.1 ±0.2 ±0.3 ±0.4 ±0.5
Coarse: ±0.2 ±0.3 ±0.5 ±0.6
Tapped Holes acc. to ISO 9001 / ISO 9002 / ISO 9003 / ISO 9004 / ISO 9005 / ISO 9006 / ISO 9007 / ISO 9008 / ISO 9009 / ISO 9010 / ISO 9011 / ISO 9012 / ISO 9013 / ISO 9014 / ISO 9015 / ISO 9016 / ISO 9017 / ISO 9018 / ISO 9019 / ISO 9020 / ISO 9021 / ISO 9022 / ISO 9023 / ISO 9024 / ISO 9025 / ISO 9026 / ISO 9027 / ISO 9028 / ISO 9029 / ISO 9030 / ISO 9031 / ISO 9032 / ISO 9033 / ISO 9034 / ISO 9035 / ISO 9036 / ISO 9037 / ISO 9038 / ISO 9039 / ISO 9040 / ISO 9041 / ISO 9042 / ISO 9043 / ISO 9044 / ISO 9045 / ISO 9046 / ISO 9047 / ISO 9048 / ISO 9049 / ISO 9050 / ISO 9051 / ISO 9052 / ISO 9053 / ISO 9054 / ISO 9055 / ISO 9056 / ISO 9057 / ISO 9058 / ISO 9059 / ISO 9060 / ISO 9061 / ISO 9062 / ISO 9063 / ISO 9064 / ISO 9065 / ISO 9066 / ISO 9067 / ISO 9068 / ISO 9069 / ISO 9070 / ISO 9071 / ISO 9072 / ISO 9073 / ISO 9074 / ISO 9075 / ISO 9076 / ISO 9077 / ISO 9078 / ISO 9079 / ISO 9080 / ISO 9081 / ISO 9082 / ISO 9083 / ISO 9084 / ISO 9085 / ISO 9086 / ISO 9087 / ISO 9088 / ISO 9089 / ISO 9090 / ISO 9091 / ISO 9092 / ISO 9093 / ISO 9094 / ISO 9095 / ISO 9096 / ISO 9097 / ISO 9098 / ISO 9099 / ISO 9100
Tolerance class: Special (Prescribed)

WABCO
ELECTRICALLY CONTROLLED AIRDRYER
EL. GESTEUERTER LUFTTROCKNER
DESSICATEUR ELECTRIQUEMENT COMMANDE D'AIR
ESSICCATORE ELETTRICAMENTE CONTROLLATO DELL'ARIA

Doc. Code: 020
Date: 2022-02-09
Sheet: 1 To 3
Copyright © 2022 WABCO
2022-02-11
Zimpro
2021 x 150 x 102
Dimensione in mm
Class: 11 ± 50 ± 80 ± 100 ± 180 ± 400
Fine: ±0.05 ±0.1 ±0.15 ±0.2
Medium: X ±0.1 ±0.2 ±0.3 ±0.4 ±0.5
Coarse: ±0.2 ±0.3 ±0.5 ±0.6
Tapped Holes acc. to ISO 9001 / ISO 9002 / ISO 9003 / ISO 9004 / ISO 9005 / ISO 9006 / ISO 9007 / ISO 9008 / ISO 9009 / ISO 9010 / ISO 9011 / ISO 9012 / ISO 9013 / ISO 9014 / ISO 9015 / ISO 9016 / ISO 9017 / ISO 9018 / ISO 9019 / ISO 9020 / ISO 9021 / ISO 9022 / ISO 9023 / ISO 9024 / ISO 9025 / ISO 9026 / ISO 9027 / ISO 9028 / ISO 9029 / ISO 9030 / ISO 9031 / ISO 9032 / ISO 9033 / ISO 9034 / ISO 9035 / ISO 9036 / ISO 9037 / ISO 9038 / ISO 9039 / ISO 9040 / ISO 9041 / ISO 9042 / ISO 9043 / ISO 9044 / ISO 9045 / ISO 9046 / ISO 9047 / ISO 9048 / ISO 9049 / ISO 9050 / ISO 9051 / ISO 9052 / ISO 9053 / ISO 9054 / ISO 9055 / ISO 9056 / ISO 9057 / ISO 9058 / ISO 9059 / ISO 9060 / ISO 9061 / ISO 9062 / ISO 9063 / ISO 9064 / ISO 9065 / ISO 9066 / ISO 9067 / ISO 9068 / ISO 9069 / ISO 9070 / ISO 9071 / ISO 9072 / ISO 9073 / ISO 9074 / ISO 9075 / ISO 9076 / ISO 9077 / ISO 9078 / ISO 9079 / ISO 9080 / ISO 9081 / ISO 9082 / ISO 9083 / ISO 9084 / ISO 9085 / ISO 9086 / ISO 9087 / ISO 9088 / ISO 9089 / ISO 9090 / ISO 9091 / ISO 9092 / ISO 9093 / ISO 9094 / ISO 9095 / ISO 9096 / ISO 9097 / ISO 9098 / ISO 9099 / ISO 9100
Tolerance class: Special (Prescribed)

Material No.: 432 425 101 0
Date of first issue: 2009-10-18
Doc. Code: 020
Date: 2022-02-09
Sheet: 1 To 3
Copyright © 2022 WABCO
2022-02-11
Zimpro
2021 x 150 x 102
Dimensione in mm
Class: 11 ± 50 ± 80 ± 100 ± 180 ± 400
Fine: ±0.05 ±0.1 ±0.15 ±0.2
Medium: X ±0.1 ±0.2 ±0.3 ±0.4 ±0.5
Coarse: ±0.2 ±0.3 ±0.5 ±0.6
Tapped Holes acc. to ISO 9001 / ISO 9002 / ISO 9003 / ISO 9004 / ISO 9005 / ISO 9006 / ISO 9007 / ISO 9008 / ISO 9009 / ISO 9010 / ISO 9011 / ISO 9012 / ISO 9013 / ISO 9014 / ISO 9015 / ISO 9016 / ISO 9017 / ISO 9018 / ISO 9019 / ISO 9020 / ISO 9021 / ISO 9022 / ISO 9023 / ISO 9024 / ISO 9025 / ISO 9026 / ISO 9027 / ISO 9028 / ISO 9029 / ISO 9030 / ISO 9031 / ISO 9032 / ISO 9033 / ISO 9034 / ISO 9035 / ISO 9036 / ISO 9037 / ISO 9038 / ISO 9039 / ISO 9040 / ISO 9041 / ISO 9042 / ISO 9043 / ISO 9044 / ISO 9045 / ISO 9046 / ISO 9047 / ISO 9048 / ISO 9049 / ISO 9050 / ISO 9051 / ISO 9052 / ISO 9053 / ISO 9054 / ISO 9055 / ISO 9056 / ISO 9057 / ISO 9058 / ISO 9059 / ISO 9060 / ISO 9061 / ISO 9062 / ISO 9063 / ISO 9064 / ISO 9065 / ISO 9066 / ISO 9067 / ISO 9068 / ISO 9069 / ISO 9070 / ISO 9071 / ISO 9072 / ISO 9073 / ISO 9074 / ISO 9075 / ISO 9076 / ISO 9077 / ISO 9078 / ISO 9079 / ISO 9080 / ISO 9081 / ISO 9082 / ISO 9083 / ISO 9084 / ISO 9085 / ISO 9086 / ISO 9087 / ISO 9088 / ISO 9089 / ISO 9090 / ISO 9091 / ISO 9092 / ISO 9093 / ISO 9094 / ISO 9095 / ISO 9096 / ISO 9097 / ISO 9098 / ISO 9099 / ISO 9100
Tolerance class: Special (Prescribed)