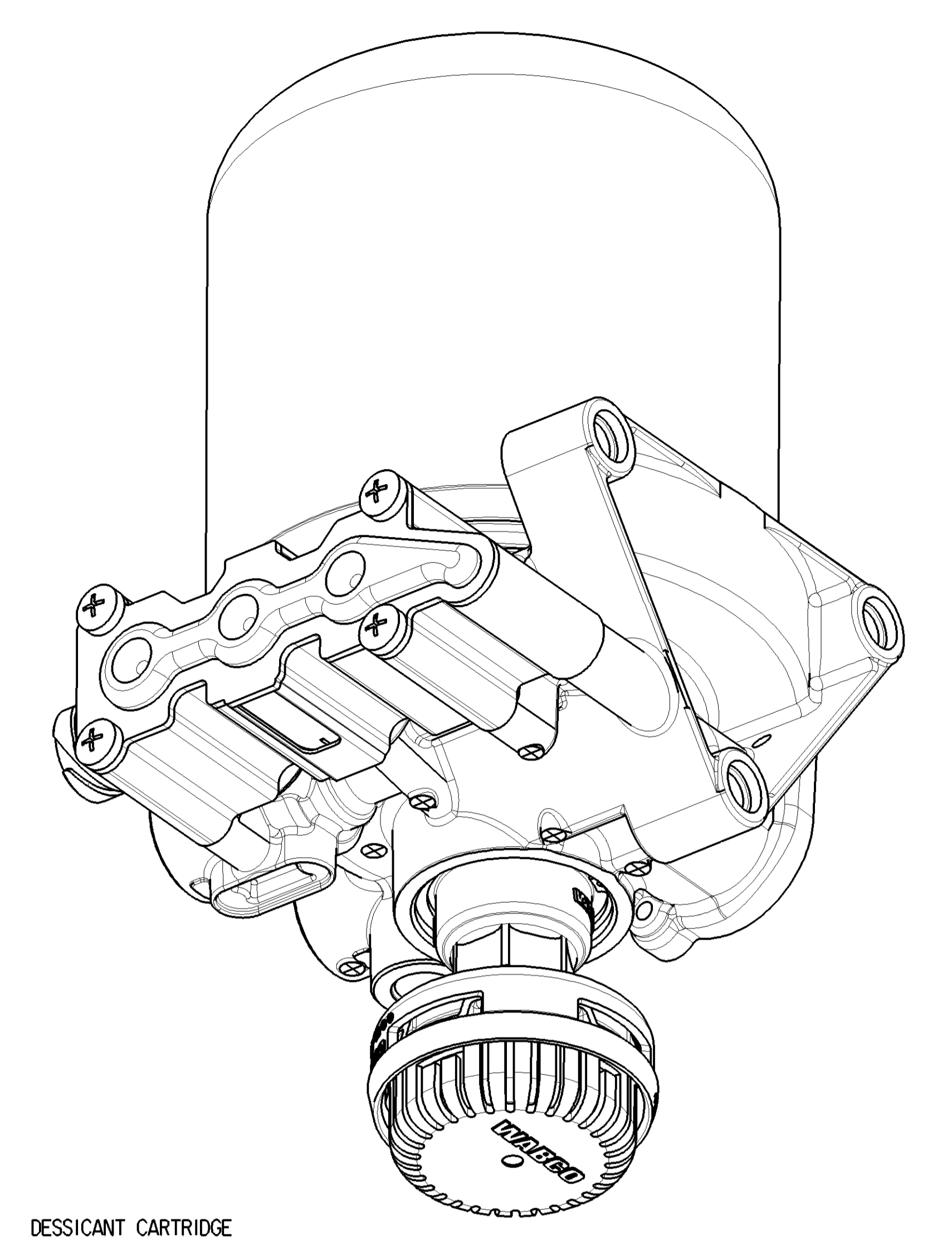
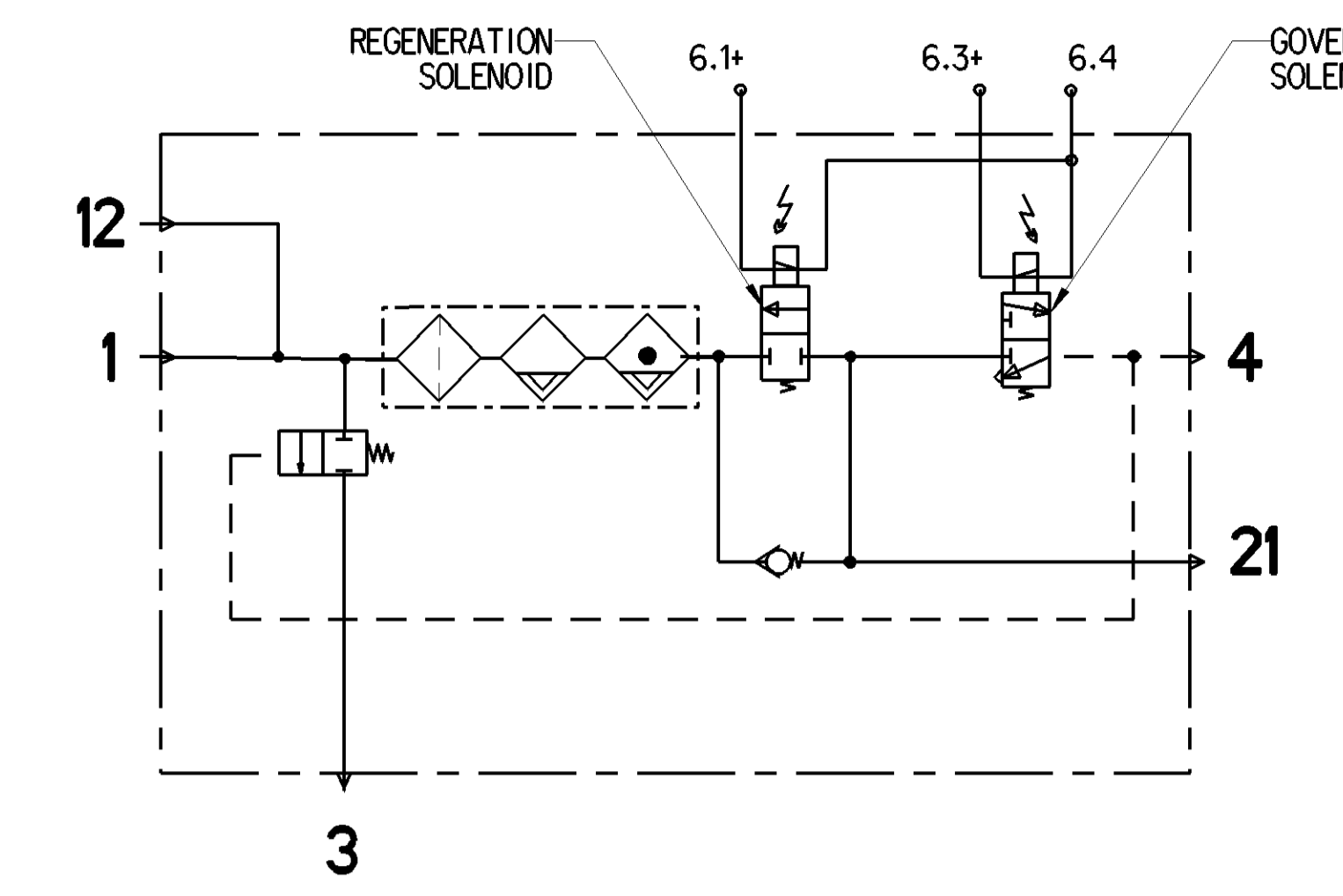
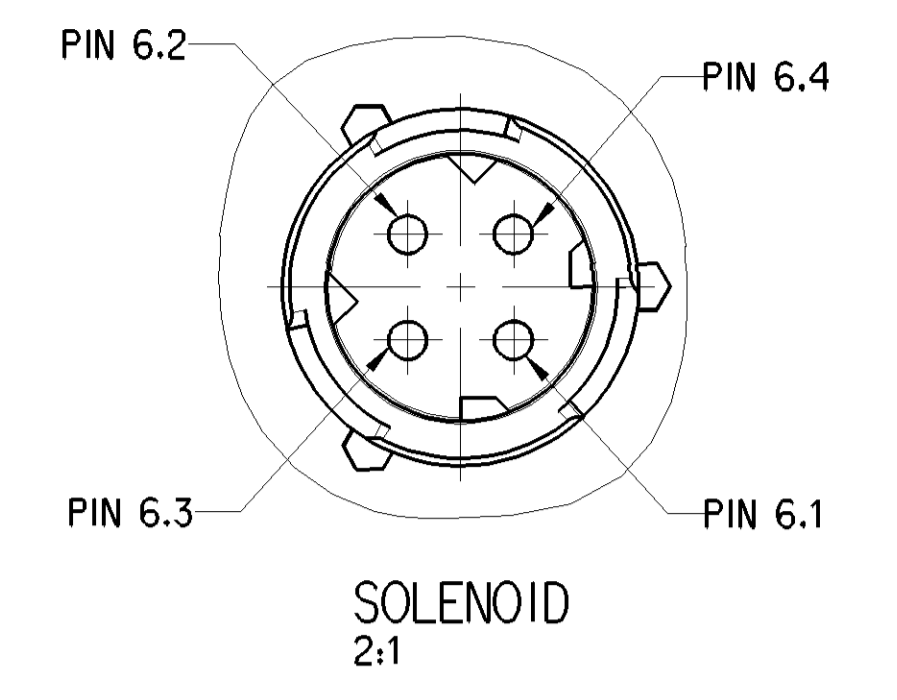
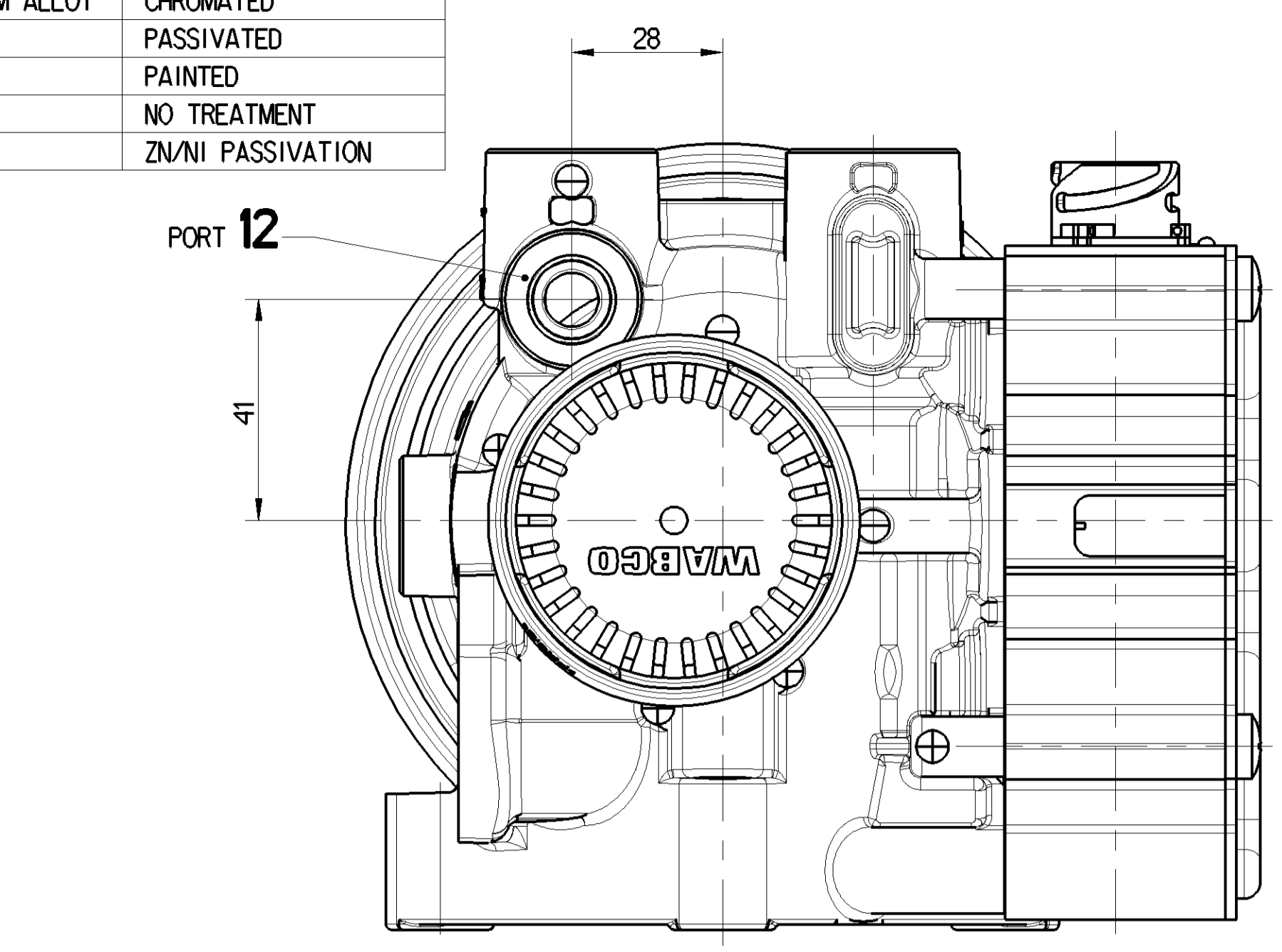
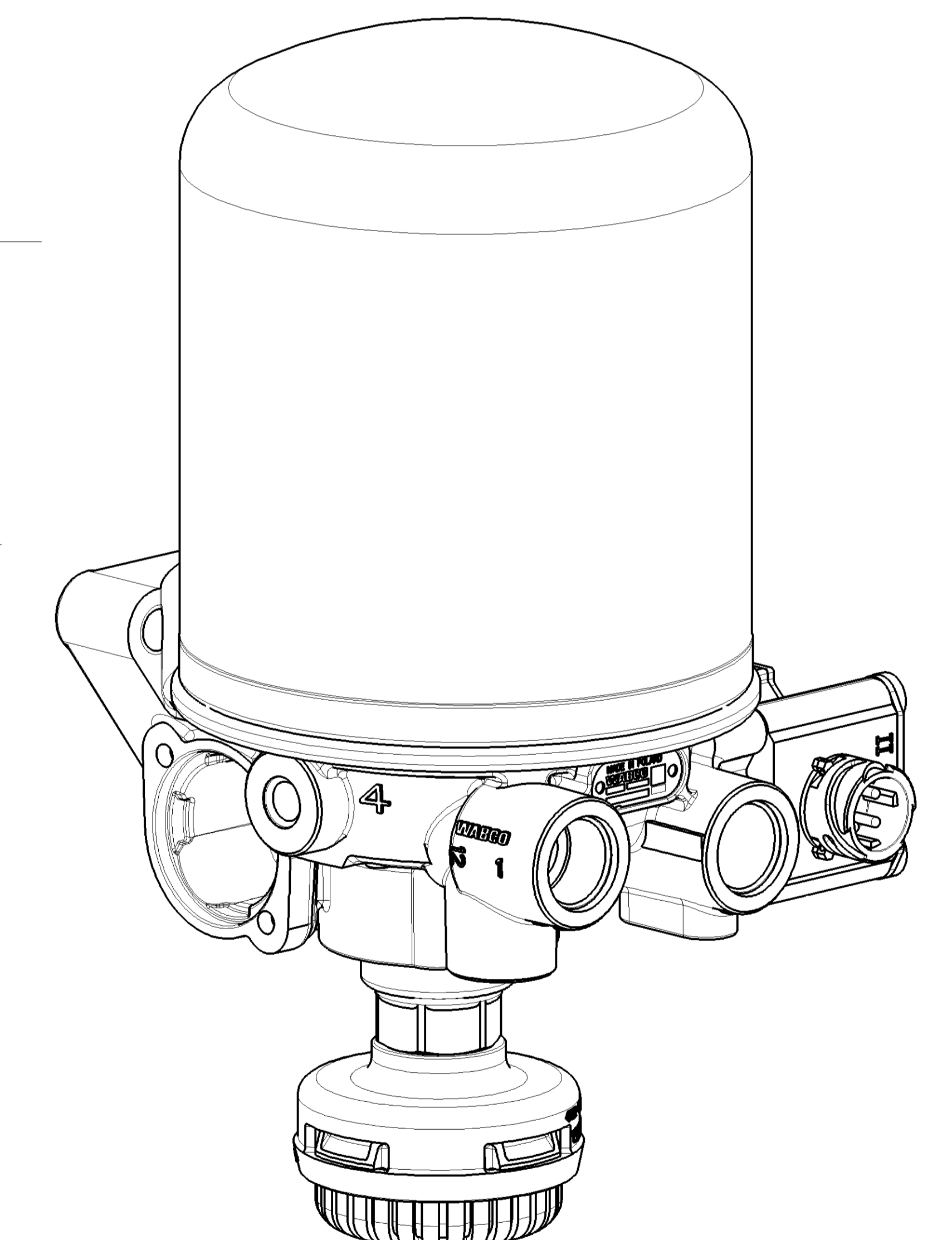
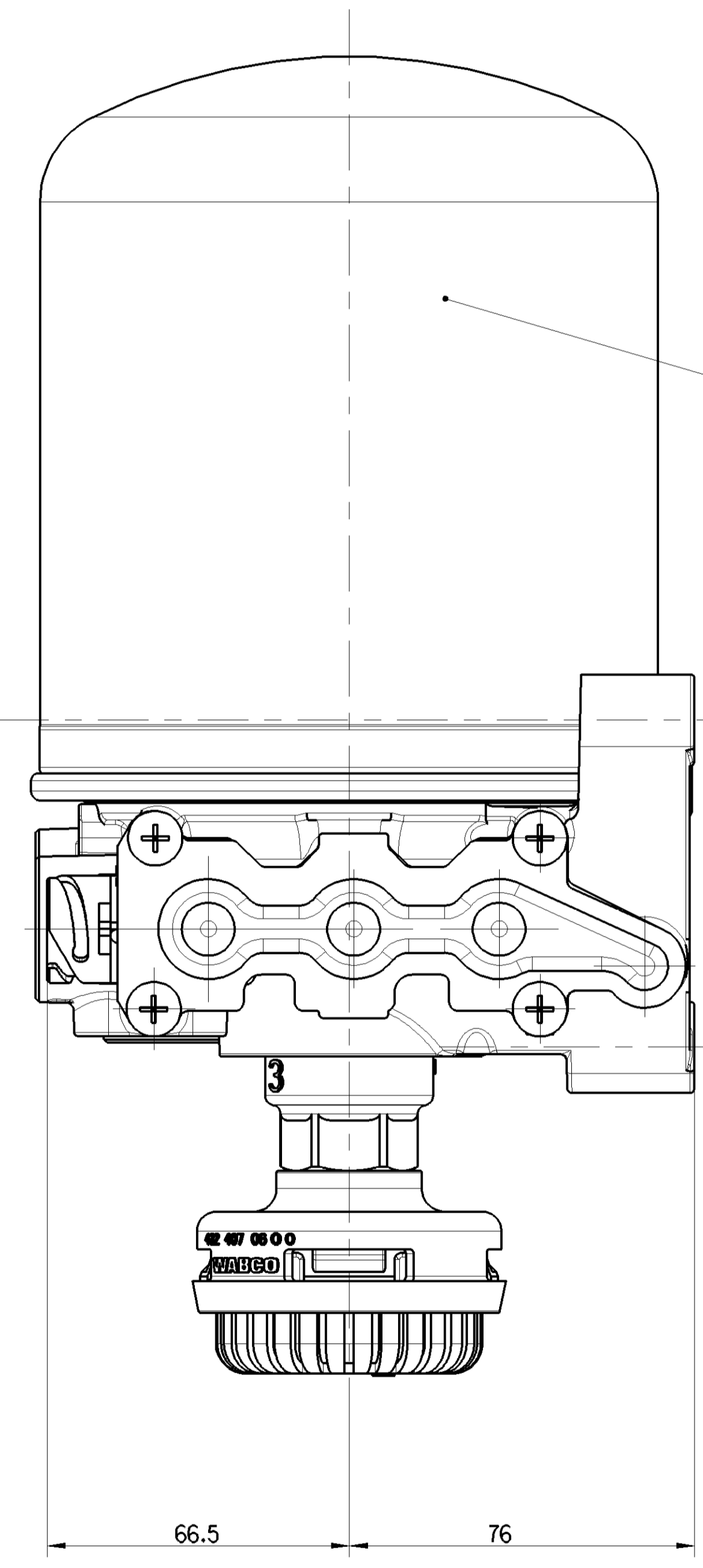
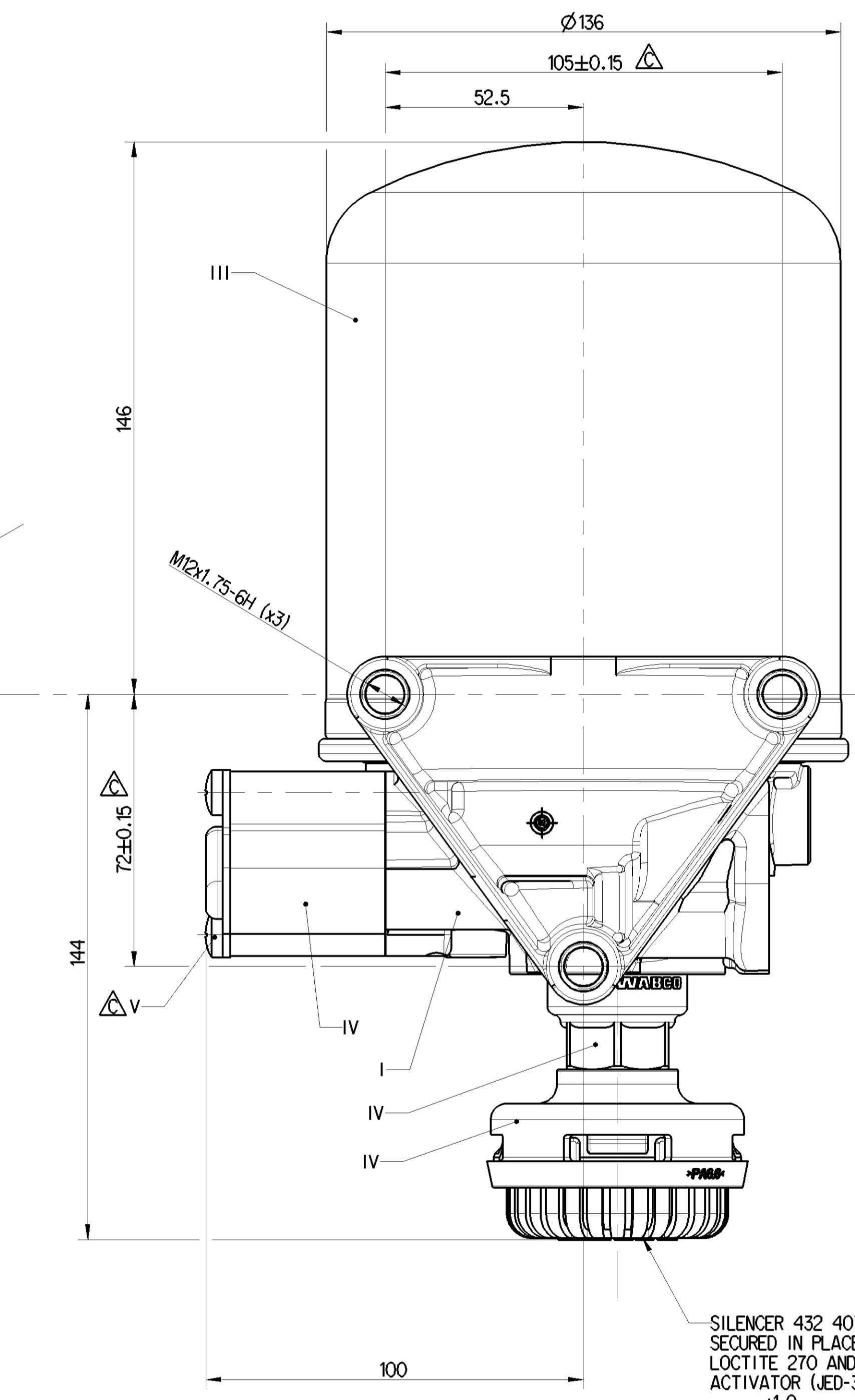
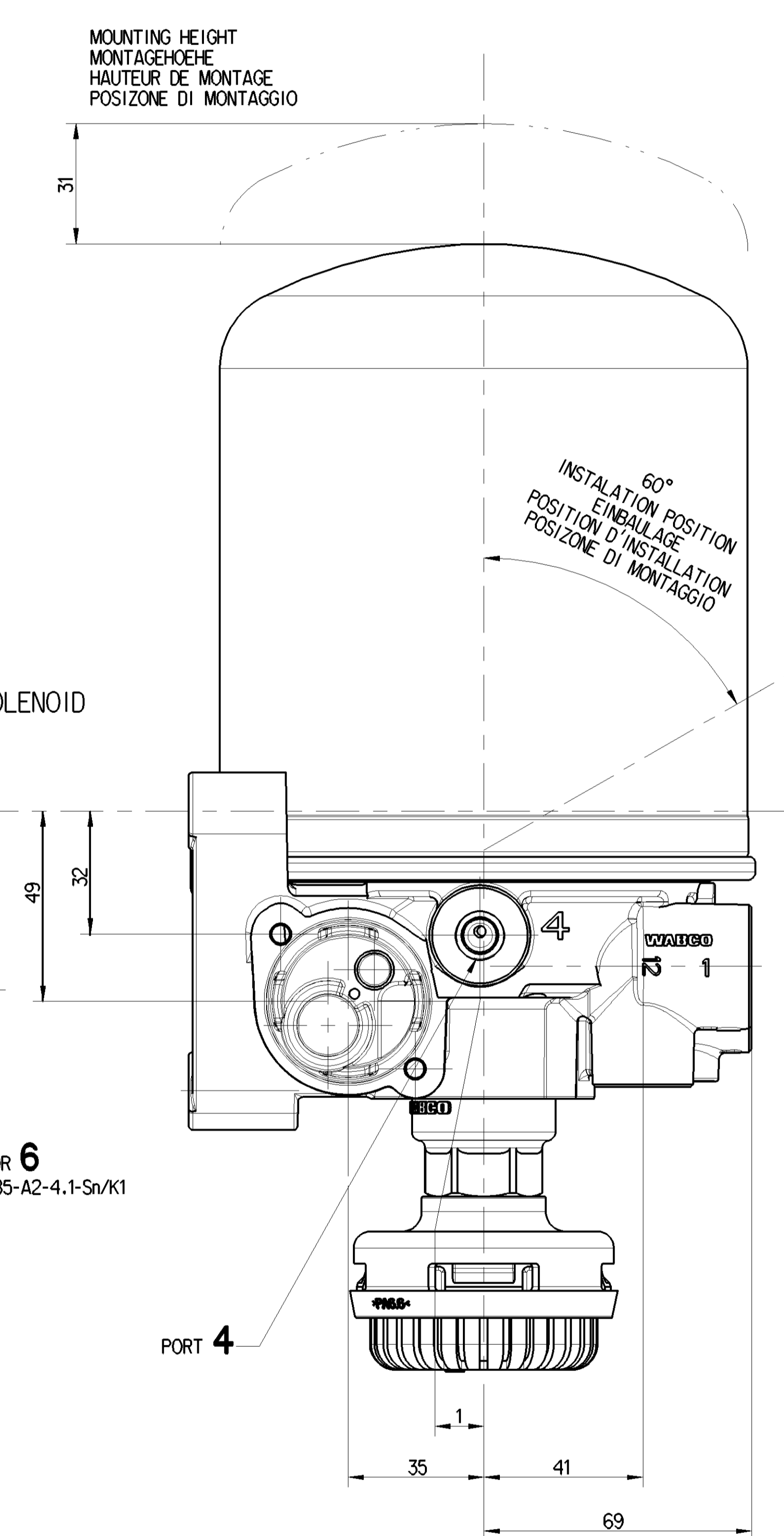
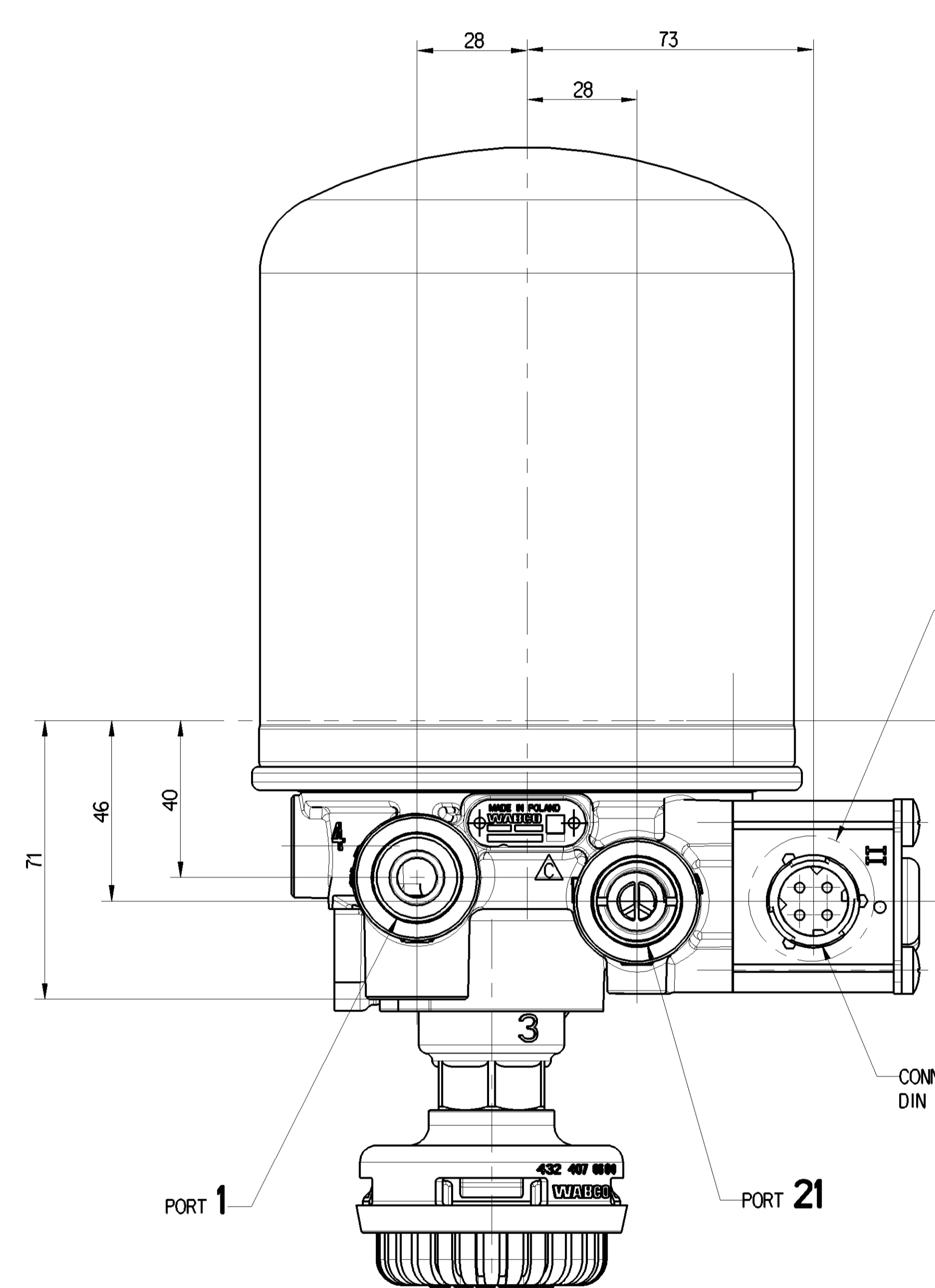


PART CODE	MATERIAL	SURFACE PROTECTION
I	ALUMINIUM ALLOY	CHROMATED
II	STEEL	PASSIVATED
III	STEEL	PAINTED
IV	PLASTIC	NO TREATMENT
V	STEEL	ZN/NI PASSIVATION



DESICCANT CARTRIDGE
432 901 223 2
M-15 -2 Nm



THERMAL RANGE OF CONTINUOUS APPLICATION: -40°C...+65°C
THERMISCHER DAUERANWENDUNGSBEREICH: -40°C...+65°C
PLAGE DE TEMPERATURE EN UTILISATION CONTINUE: -40°C...+65°C
COMPO DI APPLICAZIONE CONTINUA: -40°C...+65°C

RESISTANCE TO HEAT: +80°C MAXIMUM
WAERMEBESTAENDIGKEIT: +80°C MAXIMUM
RESISTANCE A LA CHALEUR: +80°C MAXIMUM
RESISTANZA AL CALORE: +80°C MAXIMUM

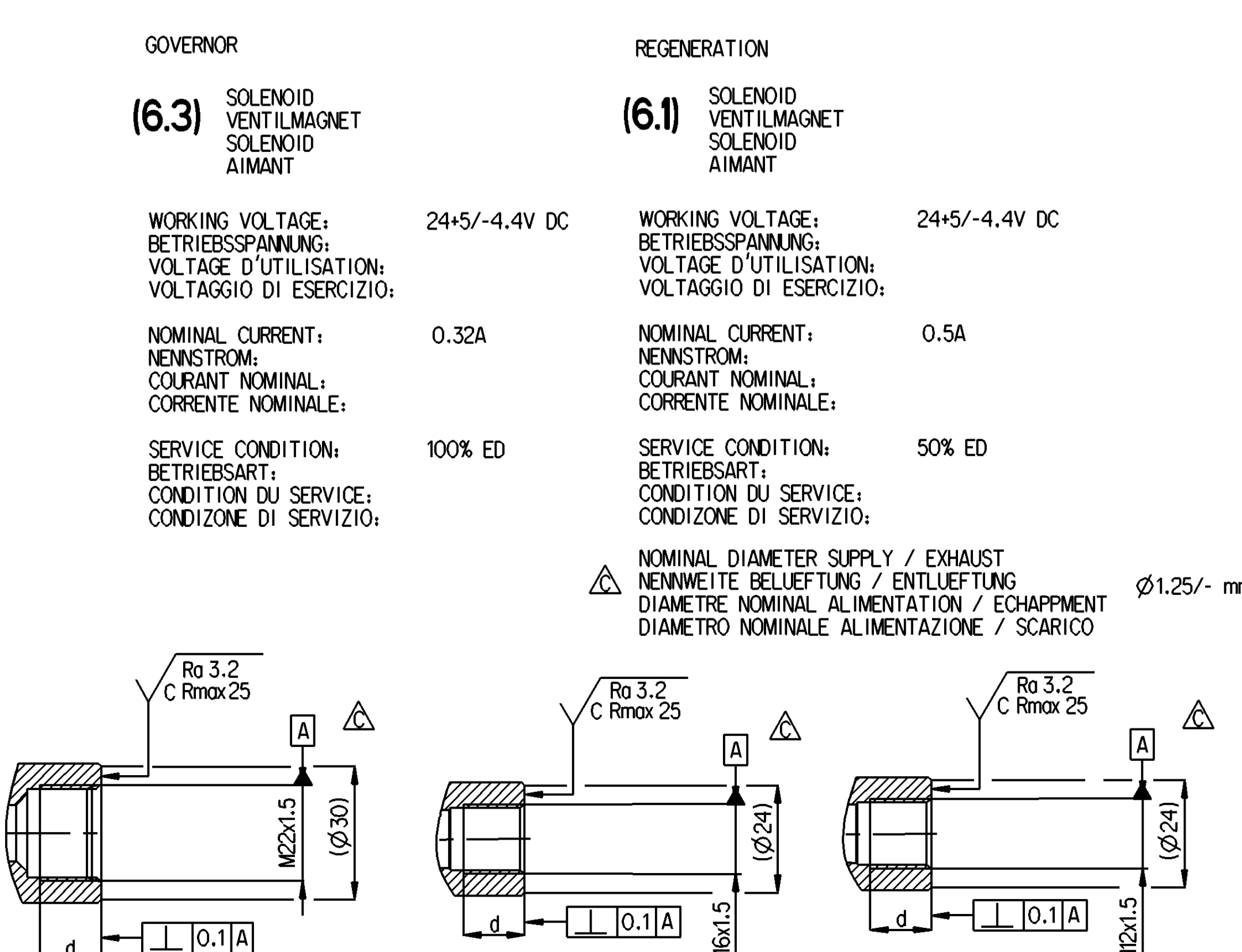
MEDIUM: COMPRESSED AIR
MEDIUM: DRUCKLUFT
FLUIDE: AIR COMPRIE
FLUIDO: ARIA COMPRESSA

WORKING PRESSURE: Pe MAXIMUM=13bar
BETRIEBSDRUCK: Pe MAXIMUM=13bar
PRESSION DE SERVICE: Pe MAXIMUM=13bar
PRESSIONE D'ESERCIZIO: Pe MAXIMUM=13bar

INSTALLATION POSITION AS DRAWN
EINBAULAGE WIE GEZEICHNET
POSITION D'INSTALLATION SUIVANT DESSIN
POSIZIONE DI MONTAGGIO COME DISEGNATO

TORQUE FOR CONNECTIONS: M12x1.5-21Nm MAXIMUM
ANZUGSMOMENT FUER EINSCHRAUBSTUTZEN: M12x1.5-21Nm MAXIMUM
COUPLE DE SERRAGE DES RACCORDS: M12x1.5-21Nm MAXIMUM
COPPIA DI SERRAGGIO DE RACCORDI: M12x1.5-21Nm MAXIMUM

DYNAMIC PRESSURE OF THE SAFETY VALVE: <23.5bar AT 100dm³/min
STAUDRUCK DES SICHERHEITSENTWELPERS: <23.5bar AT 100dm³/min
PRESSION DYNAMIQUE DU SOUPEPPE DE SECURITE: <23.5bar AT 100dm³/min
PRESSIONE DINAMICA DELLA VALVOLA DI SICUREZZA: <23.5bar AT 100dm³/min



PORT ANSCHLUSS ORIFIZIO	FUNCTION FUNCTION FONZIONE	THREAD GEWINDE FILETTATURA
1	FROM THE COMPRESSOR VOM KOMPRESSOR PROVENANT DU COMPRESSEUR PROVENIENTE DEL COMPRESSORE	M22x1.5-6H JED-388-4 d=15
12	AUXILIARY FILL HILFSFUELLUNG L'AUXILIAIRE REMPLIT L'AUXILIAIRE RIEPIE	M16x1.5-6H d=12
21	TO THE RESERVOIRS ZU DEN LUFTRAEHLTERN AUX RESERVOIR AL SERBATOII PER	M22x1.5-6H JED-388-4 d=25.5
3	EXHAUST FOR COMPRESSED AIR ENTLUEFTUNG FUER DRUCKLUFT ECHAPPEMENT POUR AIR COMPRIE SCARICO PER ARIA COMPRESSA	SILENCER 432 407 060 0
4	TO THE COMPRESSOR ZUM KOMPRESSOR AU COMPRESSEUR AL COMPRESSORE	M12x1.5-6H d=12
6	ELECTRICAL CONTROL ELEKTRISCHER STEUERANSCHLUSS COMMANDE ELECTRIQUE COMANDO ELETTRICO	

General Specification: ISO 8015, ED-334-1, Size ISO 14405 LP
 Further Technical Data: Product Specification
 Doc. Code: 026
 Date: 2022-02-08
 Sheet: 1 To 2
 Author: Karzyński
 Checked: Zowiszo
 Date: 2022-02-11
 Version: 1.1
 Scale: 1:1
 Drawing Code: 432 425 105 0
 Part Name: ELECTRICALLY CONTROLLED AIRDRYER
 EL. GESTEUERTER LUFTRÖCKNER
 ESSICCATORE ELETTRICAMENTE CONTROLLATO D'ARIA
 ESSICCATORE ELETTRICAMENTE CONTROLLATO DELL'ARIA
 Date of first issue: 2006-09-08
 Doc. Code: 005
 Language: ML
 Sheet: 1/1
 Drawing Code: 509296
 ID: x C
 5096