

COMBINED UNLOADER: DRUCKREGLER: REGULATEUR DE PRESS.: GRUPPO DI REGOLAZIONE:	CUT OUT PRESSURE ABSCHALTDRUCK PRESSION DE DECL. PRESSIONE D'APERT. (bar)	OPERATING RANGE SCHALTSPANNE PLAGE DE REGULATION GAMME DE REGUL.	DYNAMIC PRESSURE OF THE SAFETY VALVE STAEDRUCK DES SICHERHEITSVENTILES PRESSION DYNAMIQUE DU SOUPEPE DE SECURITE PRESSIONE DINAMICA DELLA VALVOLA DI SICUREZZA (bar)
	12,5 ^{±0,2}	1,3 ^{±0,7}	14,0 ^{±0,2} bar (BEI V _n =100dm ³ /min.)

INSTALLATION POSITION
EINBAUPLATZ
POSITION D'INSTALLATION
POSIZIONE DI MONTAGGIO

MEDIUM: COMPRESSED AIR
MEDIUM: DRUCKLUFT
FLUIDE: AIR COMPRIE
FLUIDO: ARIA COMPRESSA

SERVICE CONDITION
BETRIEBSART
CONDITION DU SERVICE
CONDIZIONE DI SERVIZIO

CONTINUOUS SERVICE
DAUERBETRIEB
SERVICE CONTINU
SERVIZIO CONTINUO

THE VALVE CORRESPONDS TO THE REGULATIONS FOR ELECTROMAGNETIC DEVICES ACCORDING TO VDE 0580
DAS GERÄT ENTSPRICHT DEN BESTIMMUNGEN FUER ELEKTROMAGNETISCHE GERÄTE NACH VDE 0580
LE VALVE CORRESPOND AUX CONDITIONS POUR DES APPAREILS ELECTROMAGNETIQUES SUIVANT VDE 0580
LA VALVOLA CORRISPONDE ALLE CONDIZIONI PER APPARECCHI ELETTRONMAGNETICHI SECONDO VDE 0580

TYPE OF PROTECTION ACCORD
TO DIN 40050 SHEET 9
SCHUTZART NACH DIN 40050
BLATT 9
MODE DE PROTECTION SUIVANT
DIN 40050 FEUILLE 9
TIPO DI PROTEZIONE SECONDO
DIN 40050 FOGLIO 9

IP 66 A

VOLTAGE : 24^{±2}V DC
SPANNUNG :
VOLTAGE :
VOLTAGGIO :

THERMAL RANGE OF CONTINUOUS APPLICATION:
THERMISCHER DAUERANWENDUNGSBEREICH:
PLAGE DE TEMPERATURE EN UTILISATION CONTINUE:
COMPO DI APPLICAZIONE CONTINUA:

-40°C....+65°C

WORKING PRESSURE:
BETRIEBSDRUCK:
PRESSION DE SERVICE:
PRESSIONE D'ESERCIZIO:

p_{max} = 13bar

MAX. PERMISSIBLE FREQUENCY
MAX. ZULAESSIGE FREQUENZ
MAX. ADMISSIBLE FREQUENZE
MAX. AMMISSIBILE FREQUENZA

50 Hz

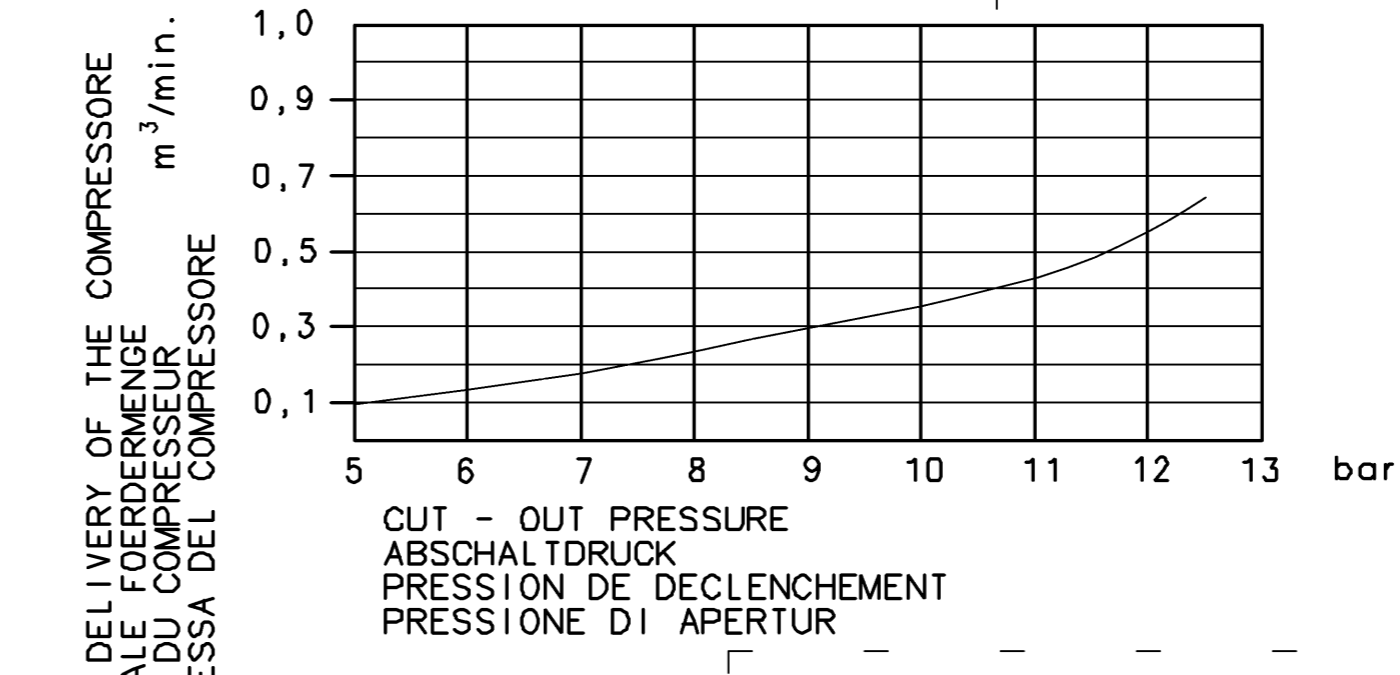
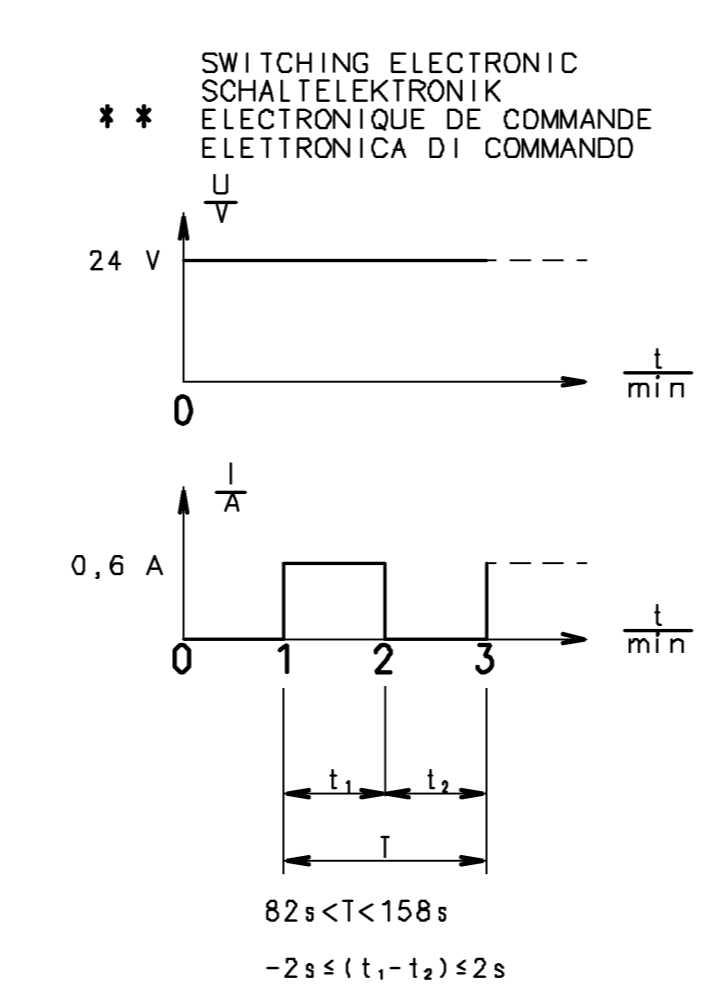
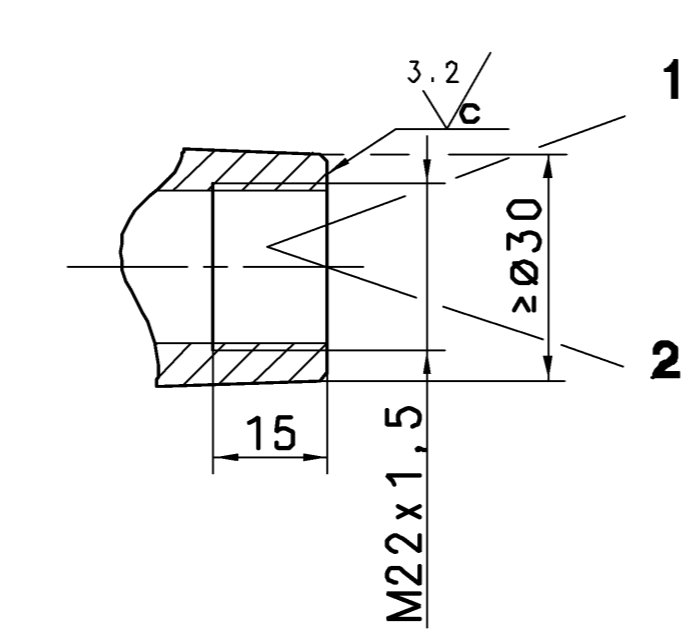
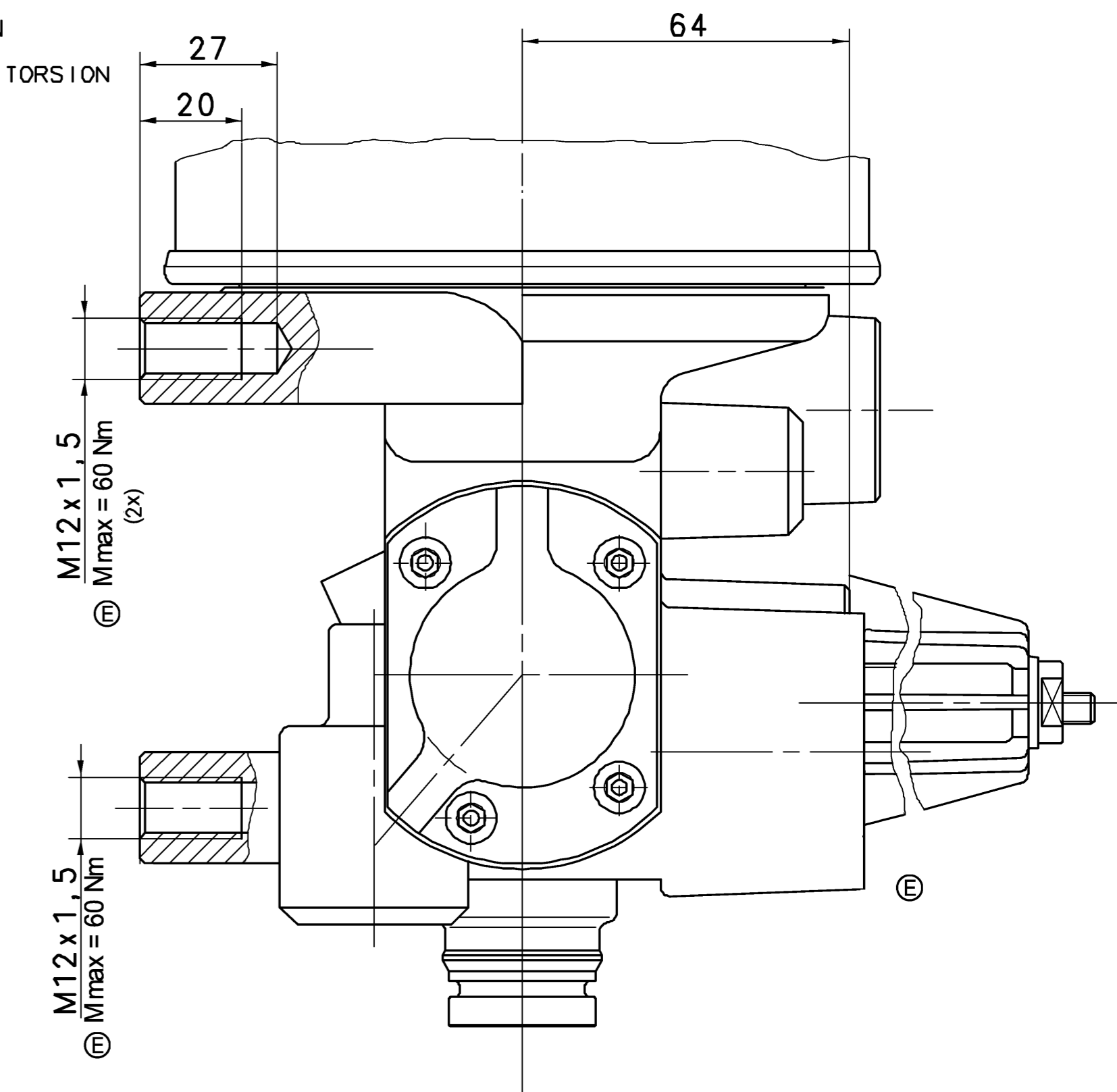
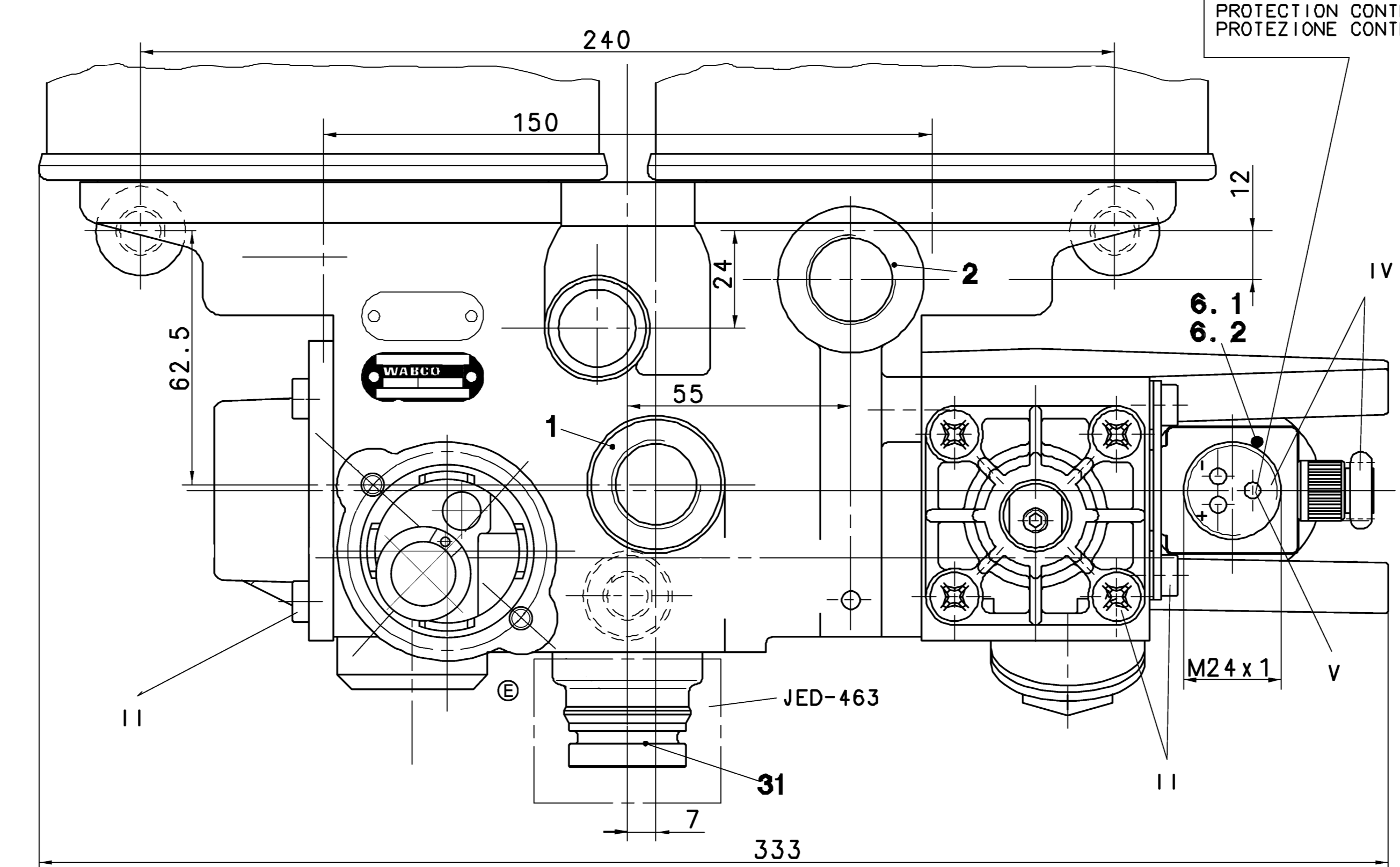
RESISTANCE TO HEAT:
WAERMEBESTAENDIGKEIT:
RESISTANCE A LA CHALEUR:
RESISTANZA AL CALORE:

MAX. +80°C

MAX. PERMISSIBLE ACCELERATION:
MAX. ZULAESSIGE BESCHLEUNIGUNG:
ACCELERATION MAX. ADMISSIBILE:
ACCELERAZIONE MAX. AMMESSA:

±10xg

EXTERNAL SURFACE AEUSSERE OBERFLAECHE SURFACE EXTERIEURE SUPERFICIE ESTERNA	
I	JED-259
II	JED-256
III	JED-471 SCHWARZ/BLACK
IV	KUNSTSTOFF
V	JED-570.656
VI	JED-260



NOTE: PERMISSION TO REPRODUCE OR TRANSMIT IN ANY FORM OR BY ANY MEANS, WITHOUT PERMISSION IN WRITING FROM WABCO, IS HEREBY GRANTED TO ANY INDIVIDUAL OR ENTITY, PROVIDED THAT THE ORIGINAL SOURCE IS PROPERLY CITED. WABCO ASSUMES NO LIABILITY FOR ANY DAMAGE OR INJURY RESULTING FROM THE USE OF THIS DOCUMENT. ALL RIGHTS ARE RESERVED.

General Specification: JED-334.0	Copyright WABCO	WABCO
Further Technical Data: Product Specification	Date: 2012-02-10	Signature: CHAMOT
Doc Code: 035	Sheet: 1 of 1	Drawn: CHAMOT
General Tolerances: ED-201	Checked: CHAMOT	Approved: CHAMOT
Range of Nominal Dimensions (± mm)	Exp. ZAWISZA	Material No. 432 432 018 0
Class 1)	Mass Scale	Date of first issue: 005
Fine: 0.5 1.0 1.5 2.0	Scale: 1:1	Language: ML
Medium: X 1.0 2.0 3.0 4.0	Size: A1	Sheet: 1/1
Coarse: 2.0 3.5 5.0 6.5	System: TIF	Revision: 9x
Tapped Holes acc: JED-152	Code: 156670	Year: E
1) Tolerance Class Applied Cosmetically	Part No: 5053	Drawn: 5053