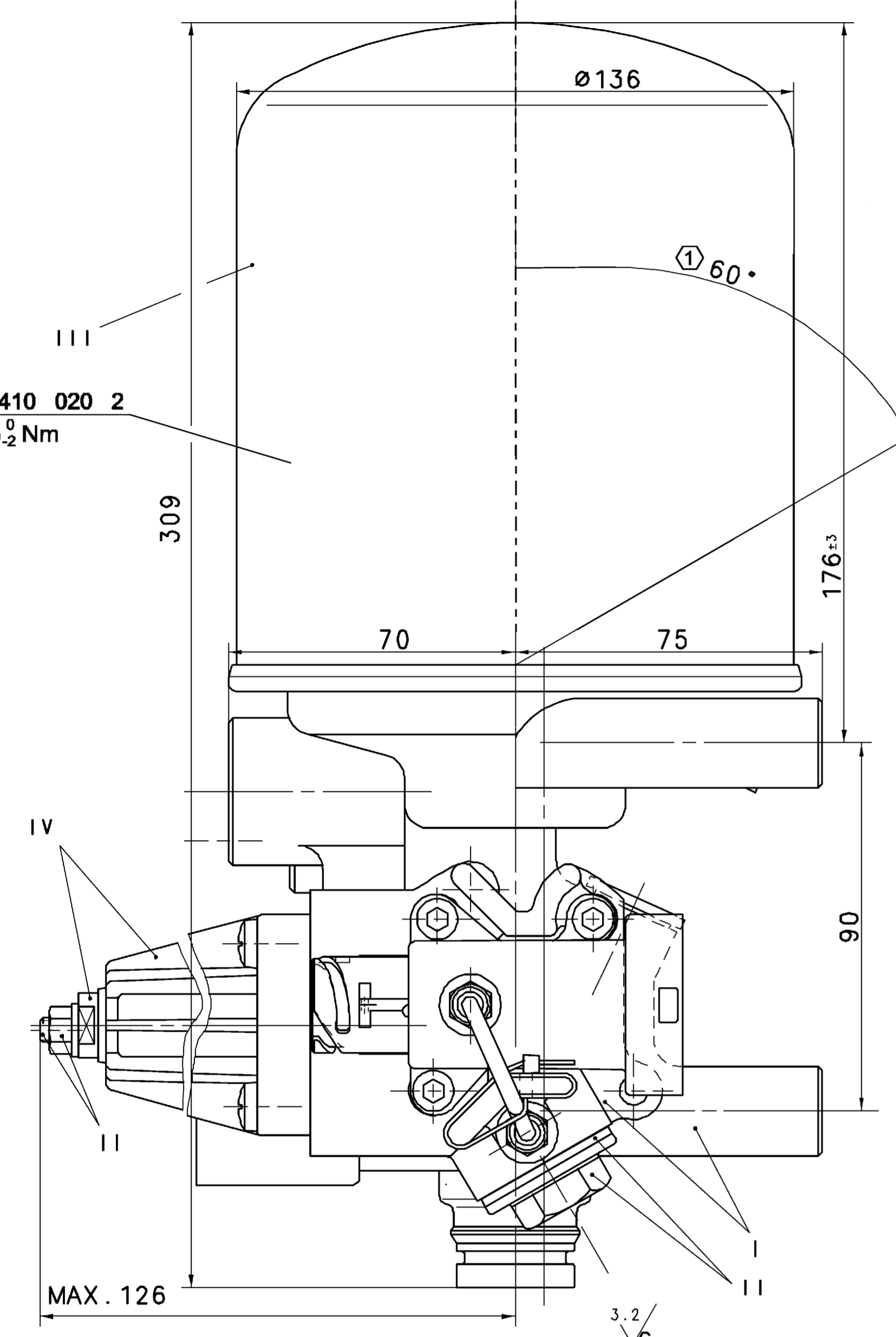


MOUNTING HEIGHT
MONTAGEHOEHE
HAUTEUR DE MONTAGE
POSIZIONE DI MONTAGGIO



COMBINED UNLOADER: DRUCKREGLER: REGULATEUR DE PRESS.: GRUPPO DI REGOLAZIONE:	CUT OUT PRESSURE ABSCHALTDRUCK PRESSION DE DECL. PRESSIONE D'APERT.	OPERATING RANGE SCHALTSPANNE PLAGE DE REGULATION GAMME DE REGUL.	DYNAMIC PRESSURE OF THE SAFETY VALVE STAUDRUCK DES SICHERHEITSVENTILES PRESSION DYNAMIQUE DU SOUPEVE DE SECURITE PRESSIONE DINAMICA DELLA VALVOLA DI SICUREZZA
(bar)	(bar)	(bar)	(bar)
10 ^{±0.2}	1 ^{±0.5}	≤16 (BEI V̄ = 100dm ³ /min.)	

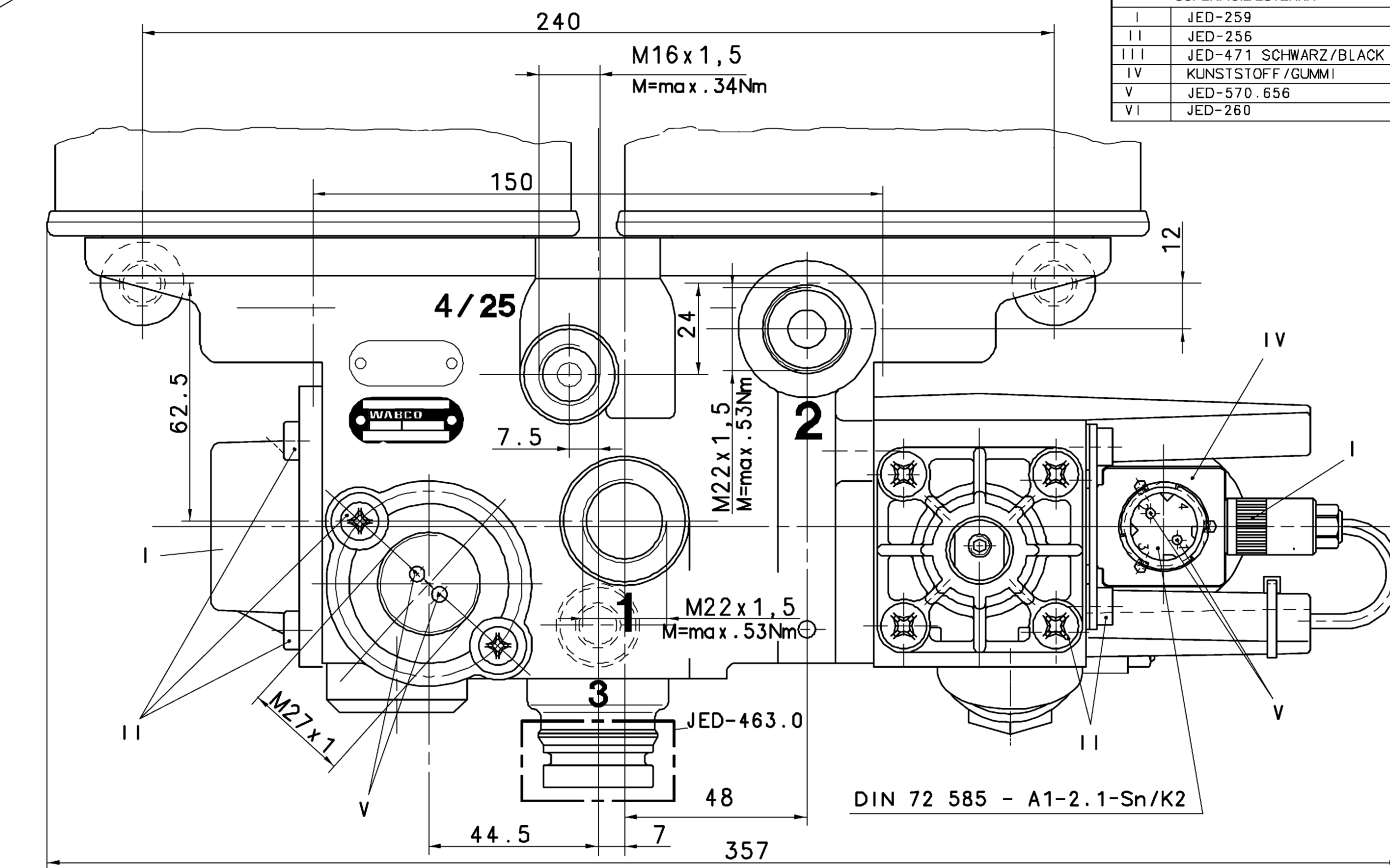
MEDIUM: COMPRESSED AIR
MEDIUM: DRUCKLUFT
FLUIDE: AIR COMPRIE
FLUIDO: ARIA COMPRESSA

SERVICE CONDITION : CONTINUOUS SERVICE
BETRIEBSART : DAUERBETRIEB
CONDITION DU SERVICE : SERVICE CONTINU
CONDIZIONE DI SERVIZIO : SERVIZIO CONTINUO

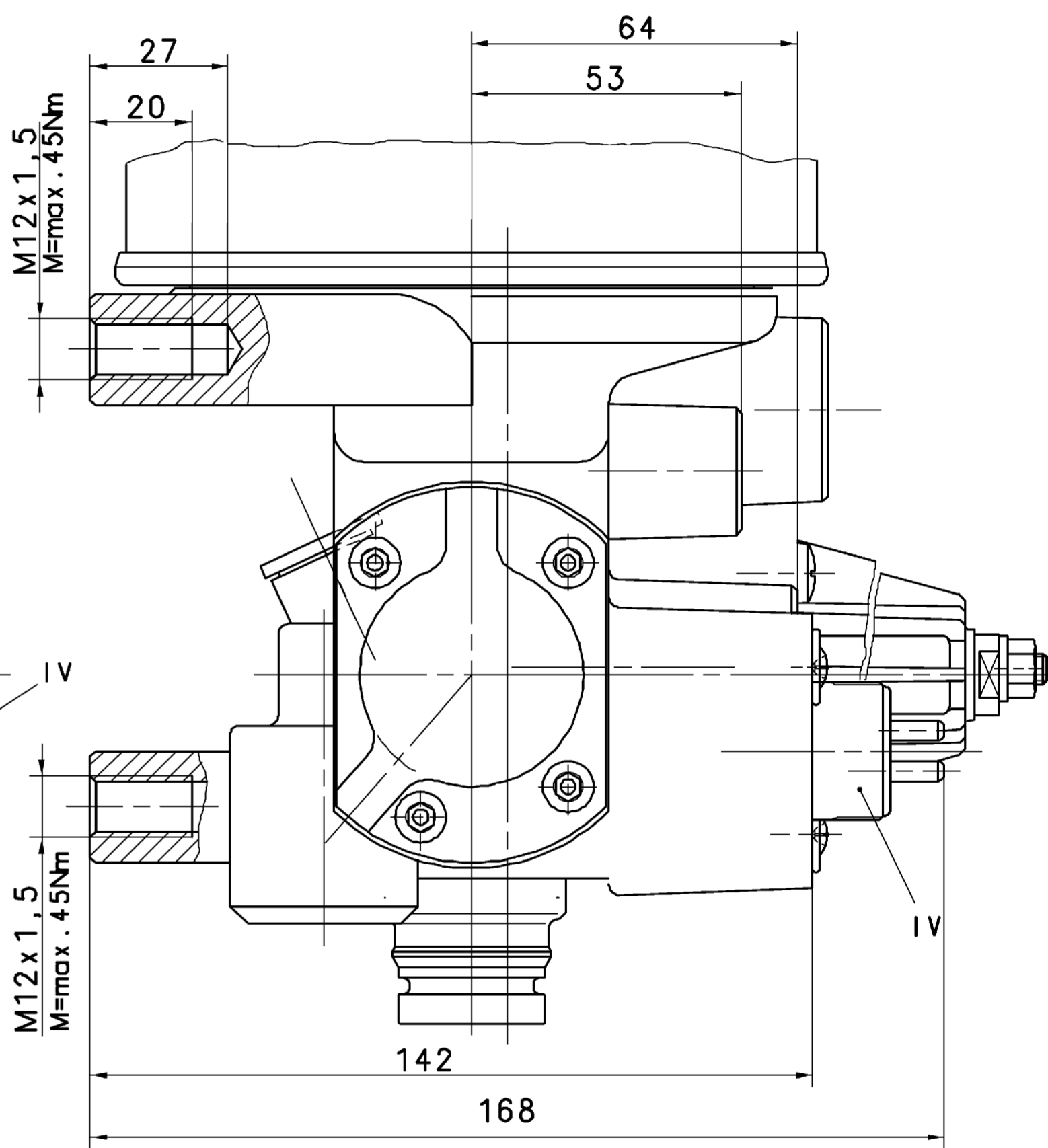
THE VALVE CORRESPONDS TO THE REGULATIONS FOR ELECTROMAGNETIC DEVICES ACCORDING TO VDE 0580
DAS GERAET ENTSPRICHT DEN BESTIMMUNGEN FUER ELEKTROMAGNETISCHE GERAETE NACH VDE 0580
LE VALVE CORRESPOND AUX CONDITIONS POUR DES APPAREILS ELECTROMAGNETIQUES SUIVANT VDE 0580
LA VALVOLA CORRISPONDE ALLE CONDIZIONI PER APPARECCHI ELETTROMAGNETICI SECONDO VDE 0580

TYPE OF PROTECTION ACCORD TO DIN 40050 SHEET 9 : IP 66 A
SCHUTZART NACH DIN 40050 BLATT 9 : IP 66 A
MODE DE PROTECTION SUIVANT DIN 40050 FEUILLE 9 : IP 68 (JED-370)
TIPO DI PROTEZIONE SECONDO DIN 40050 FOGLIO 9 :

EXTERNAL SURFACE AEUSSERE OBERFLAECHE SURFACE EXTERIEURE SUPERFICIE ESTERNA	
I	JED-259
II	JED-256
III	JED-471 SCHWARZ/BLACK
IV	KUNSTSTOFF /GUMMI
V	JED-570.656
VI	JED-260

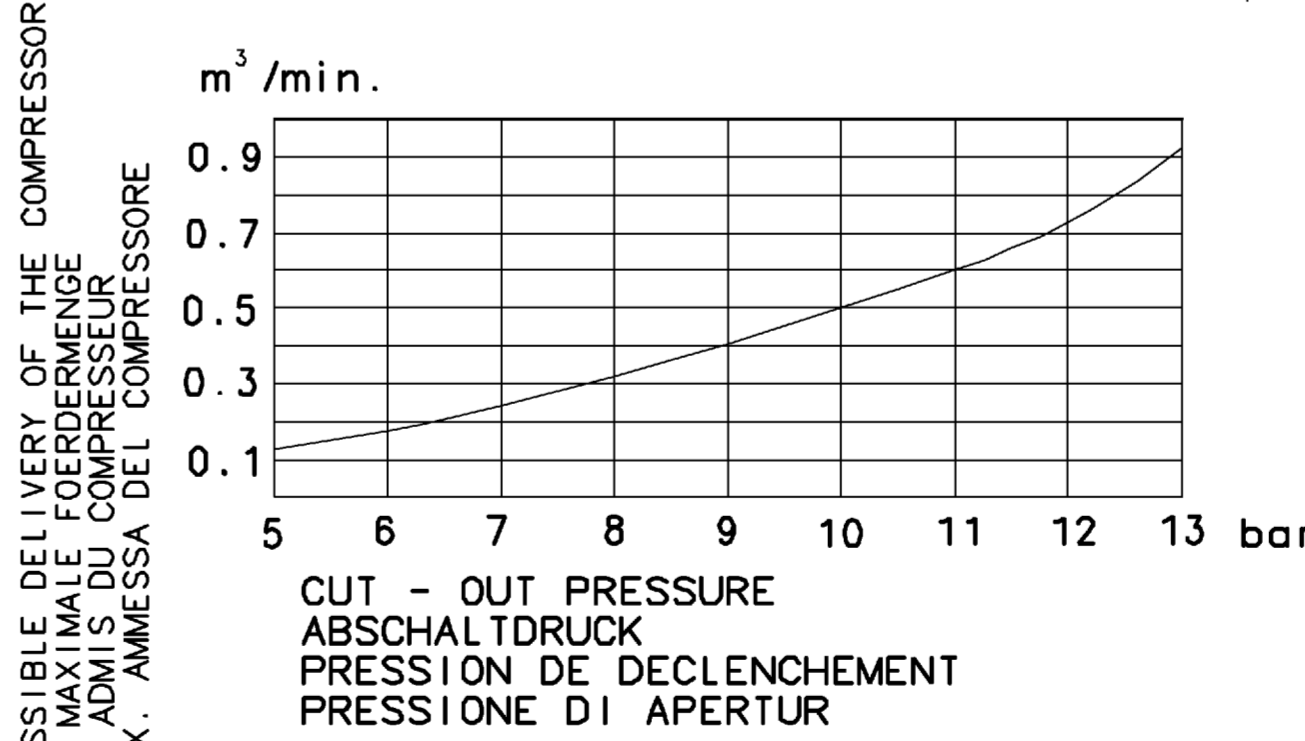
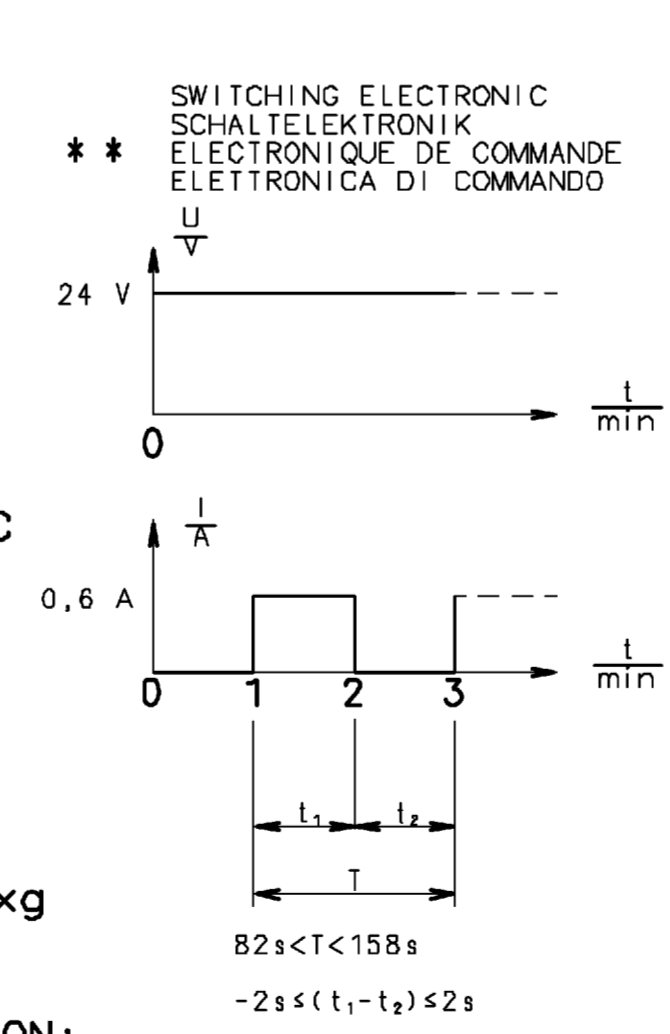


1	FROM THE COMPRESSOR VOM KOMPRESSOR PROVENANT DU COMPRESSEUR PROVENIENTE DEL COMPRESSORE		
2	TO THE AIR RESERVOIRS ZU DEN LUFTBEHAELTERN AUX RESERVOIRS D'AIR AL SERBATOI D'ARIA	JED-388	
3	EXHAUST FOR COMPRESSED AIR ENTLUFTUNG FUER DRUCKLUFT ECHAPPEMENT POUR AIR COMPRIE SCARIC PER ARIA COMPRESSA		
4/25	CONTROL PORT STEUERANSCHLUSS ORIFICE DE COMMANDE ORIFIZIO DI COMANDE		DELIVERY VOLUME AUSGESTUELTES VOLUMEN VOLUME DELIVRE VOLUME EROGATO max. 80 cm ³
6.1	SOLENOID VENTILMAGNET L'AIMANT SOLENOIDE	NOMINAL CURRENT NENNSTROM COURANT NOMINAL CORRENTE NOMINALE	I _n = 0,6A
6.3	HEATING WITH 95.9W BEI 24 V DC CHAUFFAGE AVEC 95.9W AVEC 24 V DC RISCALDAMENTO CON 95.9W CON 24 V DC	APPLIED ACROSS THE HEATER CONTACTS DIREKT AN DEN HEIZUNGSKONTAKTEN APPLIQUEE SUR LES CONTACTS DE CHAUFFAGE APPLICATA SULLE CONTATTI DI RISCALDAMENTO	
6.4	CUT-IN TEMPERATURE EINSCHALT-TEMPERATUR TEMPERATURE DE FERMETURE TEMPERATURA DI CHIUSURA	7 [±] 6°C	CUT-OFF TEMPERATURE AUSSCHALT-TEMPERATUR TEMPERATURE DE MISE TEMPERATURA DI APERTURA 29.5 [±] 3°C
	NOMINAL POWER: NENNLEISTUNG: PULSSANCE NOMINAL: POTENZANIMALE:		100 W



VOLTAGE : 24V DC
SPANNUNG : 24V DC
VOLTAGE : 24V DC
VOLTAGGIO :

WORKING PRESSURE :
BETRIEBSDRUCK : p_{max.} = 13bar
PRESSION DE SERVICE :
PRESSIONE D' ESERCIZIO :



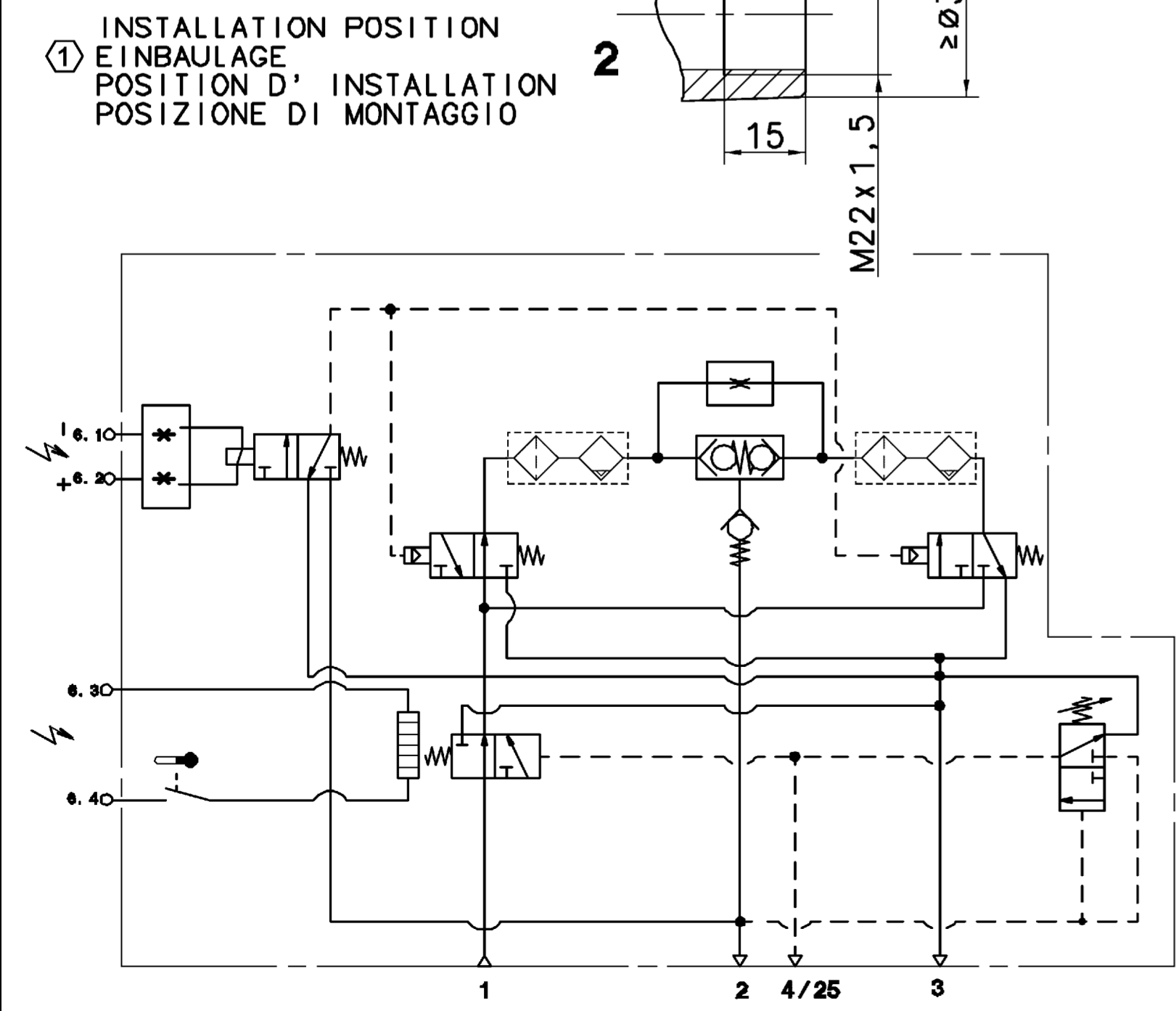
RESISTANCE TO HEAT :
WAERMEBESTAENDIGKEIT : MAX. +80°C
RESISTANCE A LA CHALEUR :
RESISTANZA AL CALORE :

MAX. PERMISSIBLE FREQUENCY
MAX. ZULAESSIGE FREQUENZ
MAX. ADMISSIBLE FREQUENZE
MAX. AMMISSIBILE FREQUENZA

MAX. PERMISSIBLE ACCLERATION:
MAX. ZULAESSIGE BESCHLEUNIGUNG:
ACCELERATION MAX. ADMISSIBILE:
ACCELERAZIONE MAX. AMMESSA:

THERMAL RANGE OF CONTINUOUS APPLICATION:
THERMISCHER DAUERANWENDUNGSBEREICH:
PLAGE DE TEMPERATURE EN UTILISATION CONTINUE:
COMPO DI APPLICAZIONE CONTINUA:

THE DEVICE IS NOT PROTECTED AGAINST OVERVOLTAGE AND LOAD DUMP
(TEST A AND TEST B ACC. TO ISO 16750-2:2012; §4.6.4).
NORMAL SUPPLY VOLTAGE RANGE: 19,6 V UP TO 28,8 V



General Specification: JED-334-1 - Size ISO 14405 LP		Copyright WABCO®	
Further Technical Data: Product Specification		Date: 2018-02-08	Signature: Kurzynski
Doc. Code: 035	Sheet: 1 To 6	Checked: Zawisza	Expert: Zawisza
General Tolerances JED-261		Range of Nominal Dimensions (± mm)	
Class	1)	≤ 50	> 50 ≤ 180
		≤ 180	> 180 ≤ 400
		≤ 400	> 400
Fine	X	0.5	1.0
Medium	X	1.0	2.0
Coarse	X	2.0	3.5
		5.0	6.5
Mass	9.46 kg	Scale	1:1
Size	CAD System	Material No.	432 432 021 0
Tapped Holes acc.	JED-152	Date of first issue:	2002-04-08
1) Tolerance Class Applied Crossmarked	A 1	Doc. Code	005
	TIF	Language	ML
		Sheet	1/1