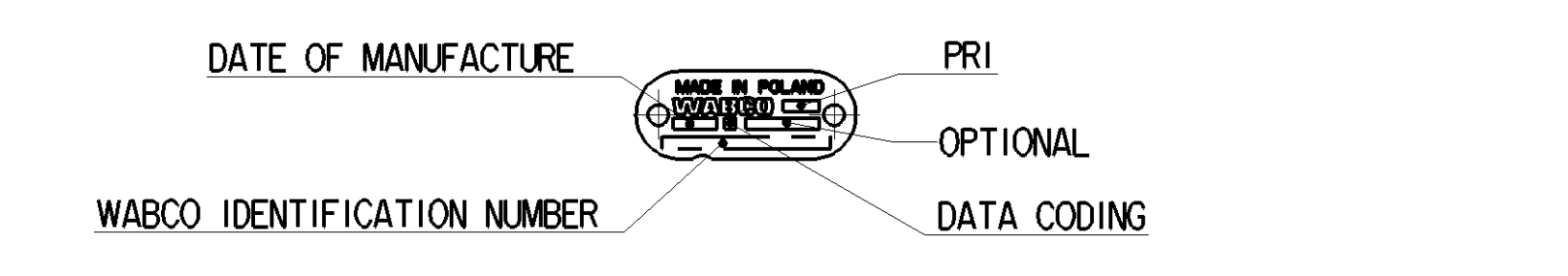
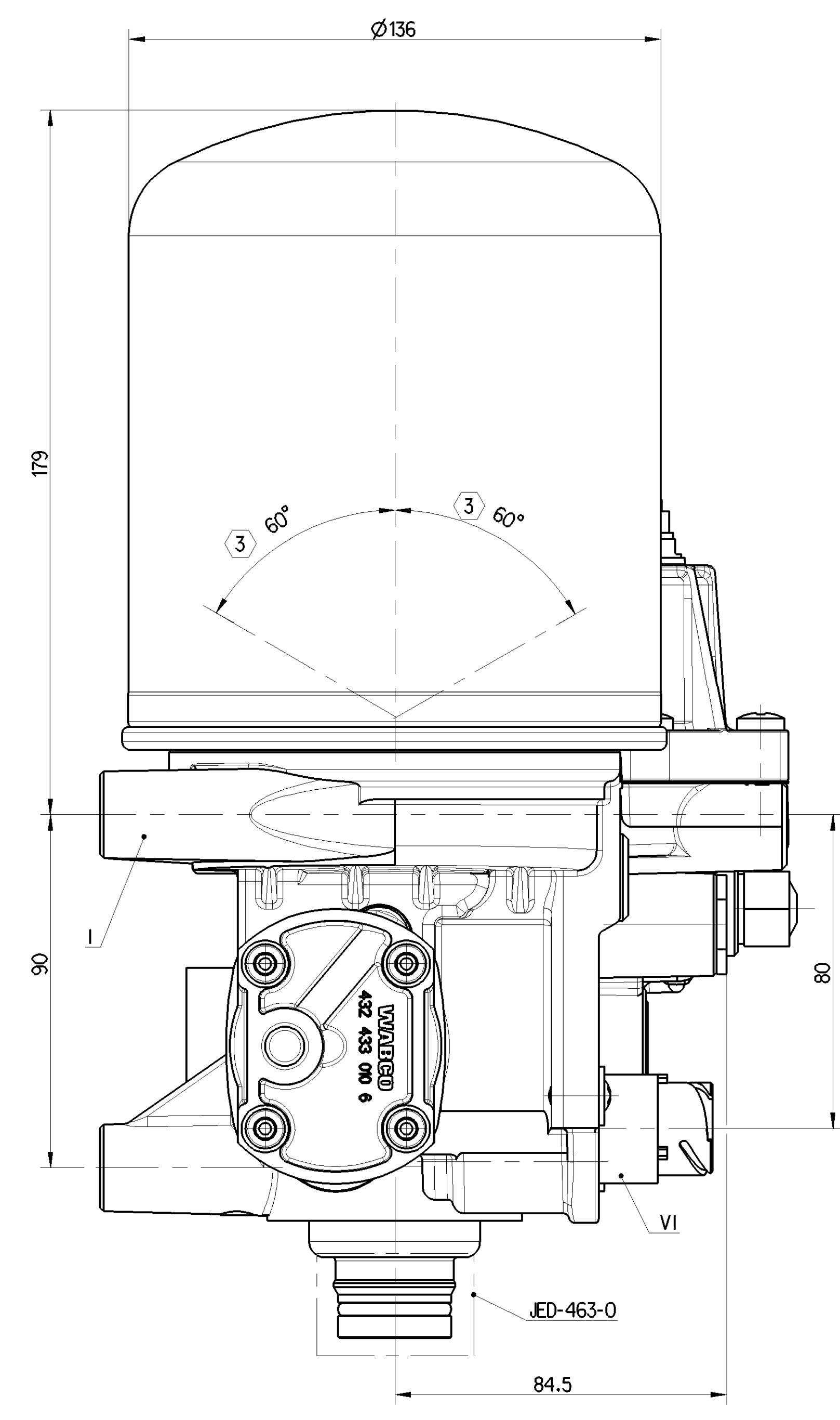
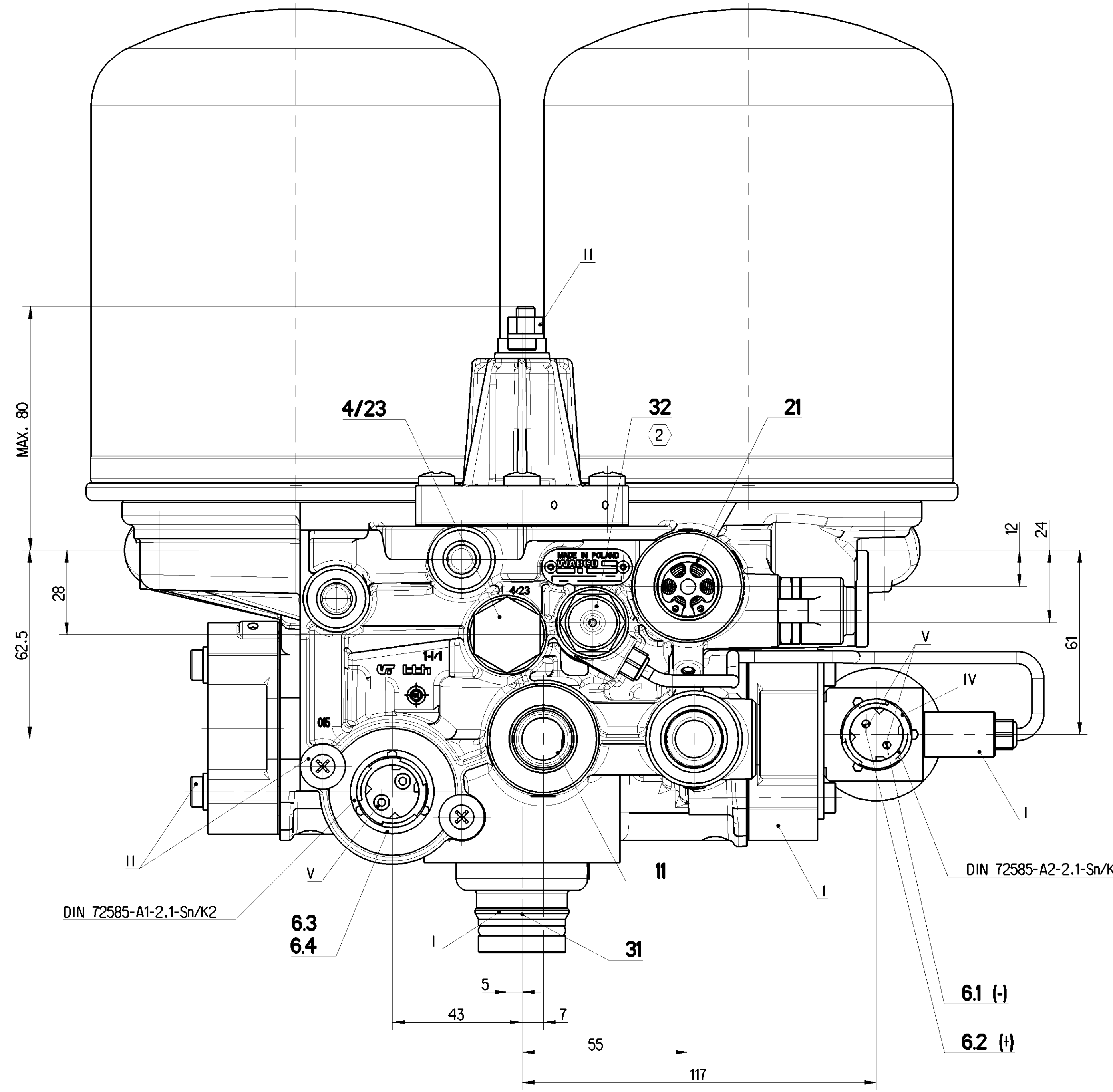
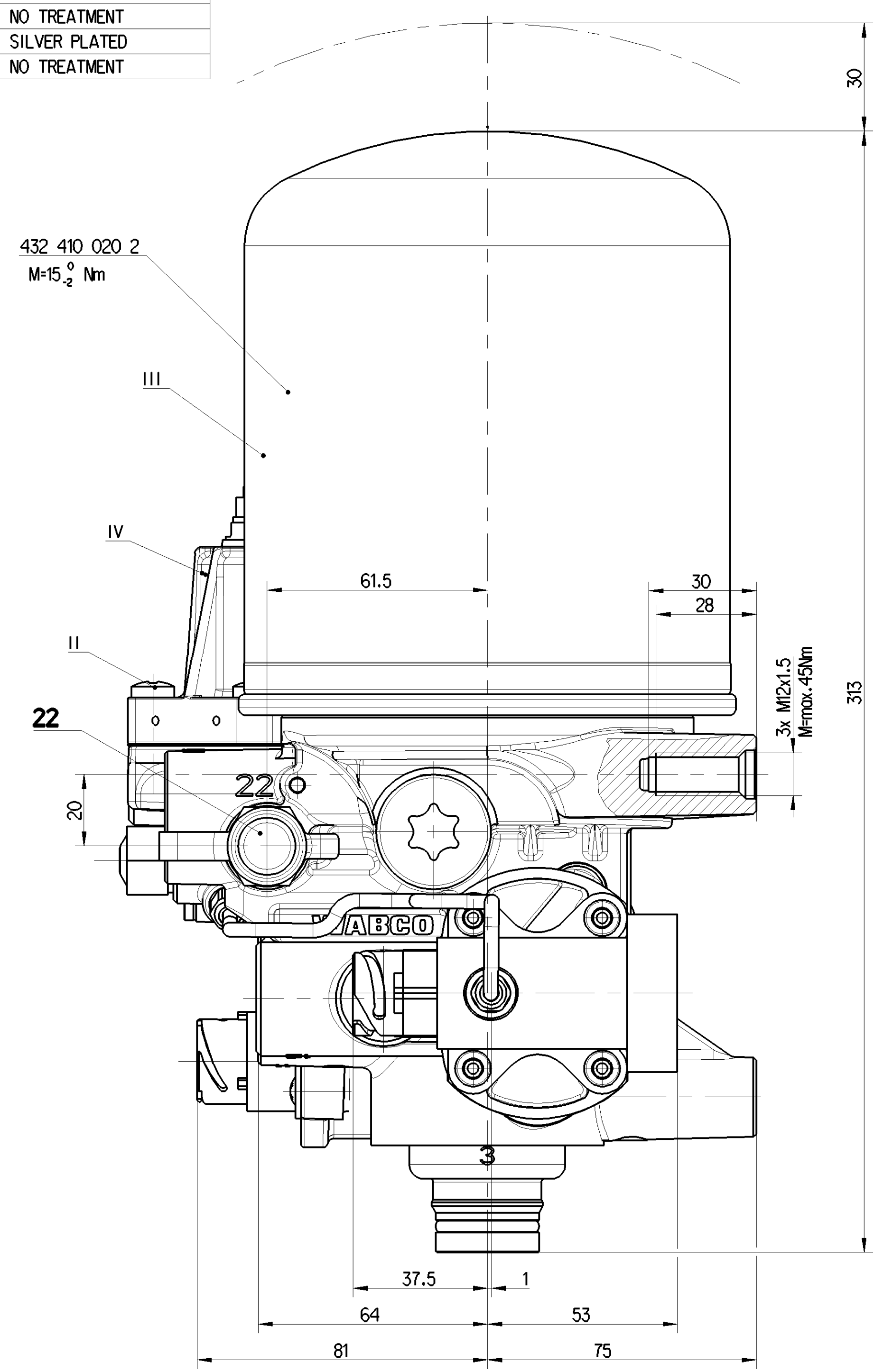


PART CODE	MATERIAL	SURFACE PROTECTION
I	ALUMINIUM ALLOY	CHROMATED
II	CHROMATED	PASSIVATED
III	STEEL	PAINTED
IV	PLASTIC	NO TREATMENT
V	BRASS	SILVER PLATED
VI	THERMOPLASTIC	NO TREATMENT



Code	Function	Parameter	Value
6.1	SOLENOID	NOMINAL CURRENT:	In=0.6A
6.2		BATTERY VOLTAGE:	24 +8/-2.4 V DC ^A
6.3	HEATING	HEATING CUT-IN TEMPERATURE:	7 ±6°C
6.4		HEATING CUT-OFF TEMPERATURE:	29.5 ±3°C
		NOMINAL POWER:	100 W
		POWER WITH 24V DC:	95 +0/-5W
		BATTERY VOLTAGE:	24 +4.8/-2.4 V DC ^A

THERMAL RANGE OF CONTINUOUS APPLICATION: -40°C... +65°C

RESISTANCE TO HEAT: +80°C MAX.

MEDIUM: COMPRESSED AIR

WORKING PRESSURE: Pe MAX. = 13 bar

MAX. PERMISSIBLE FREQUENCY: 50 Hz

MAX. PERMISSIBLE ACCELERATION: ±10 xg

SERVICE CONDITION: CONTINUOUS SERVICE

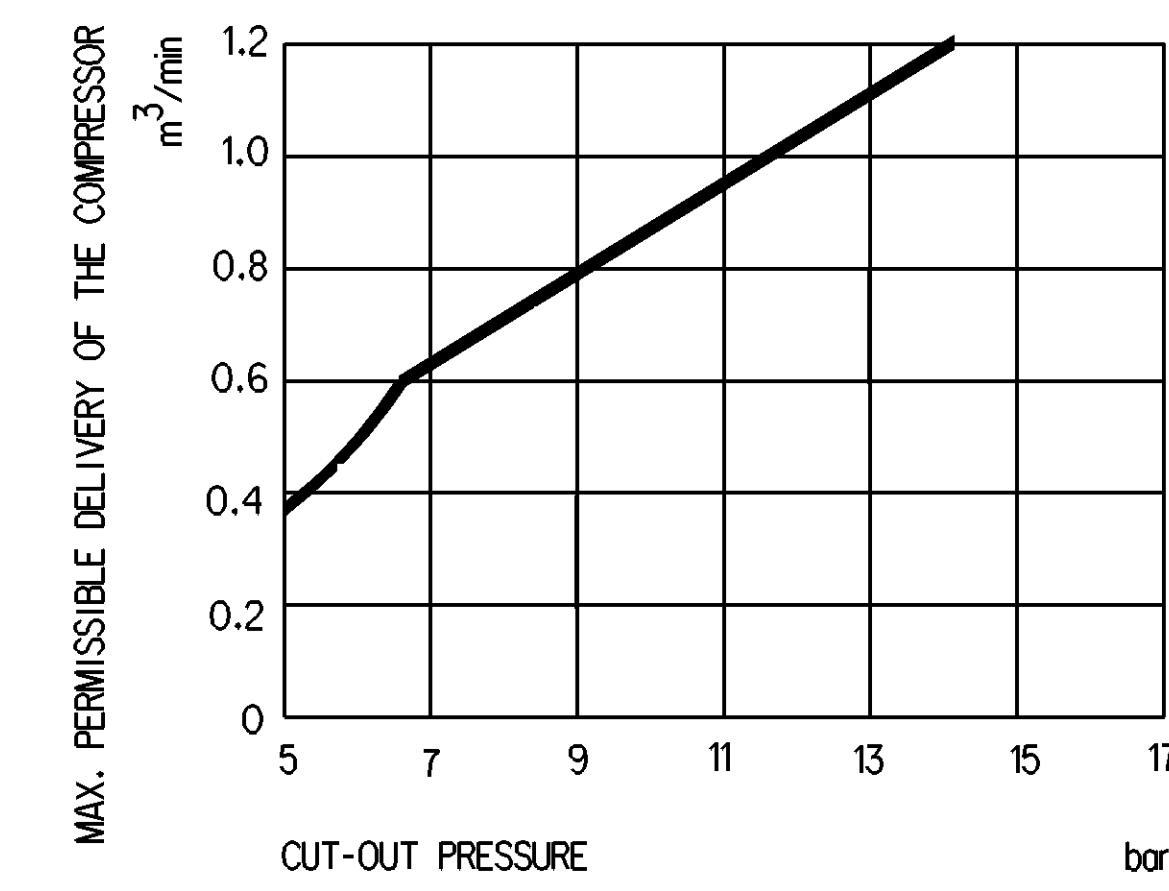
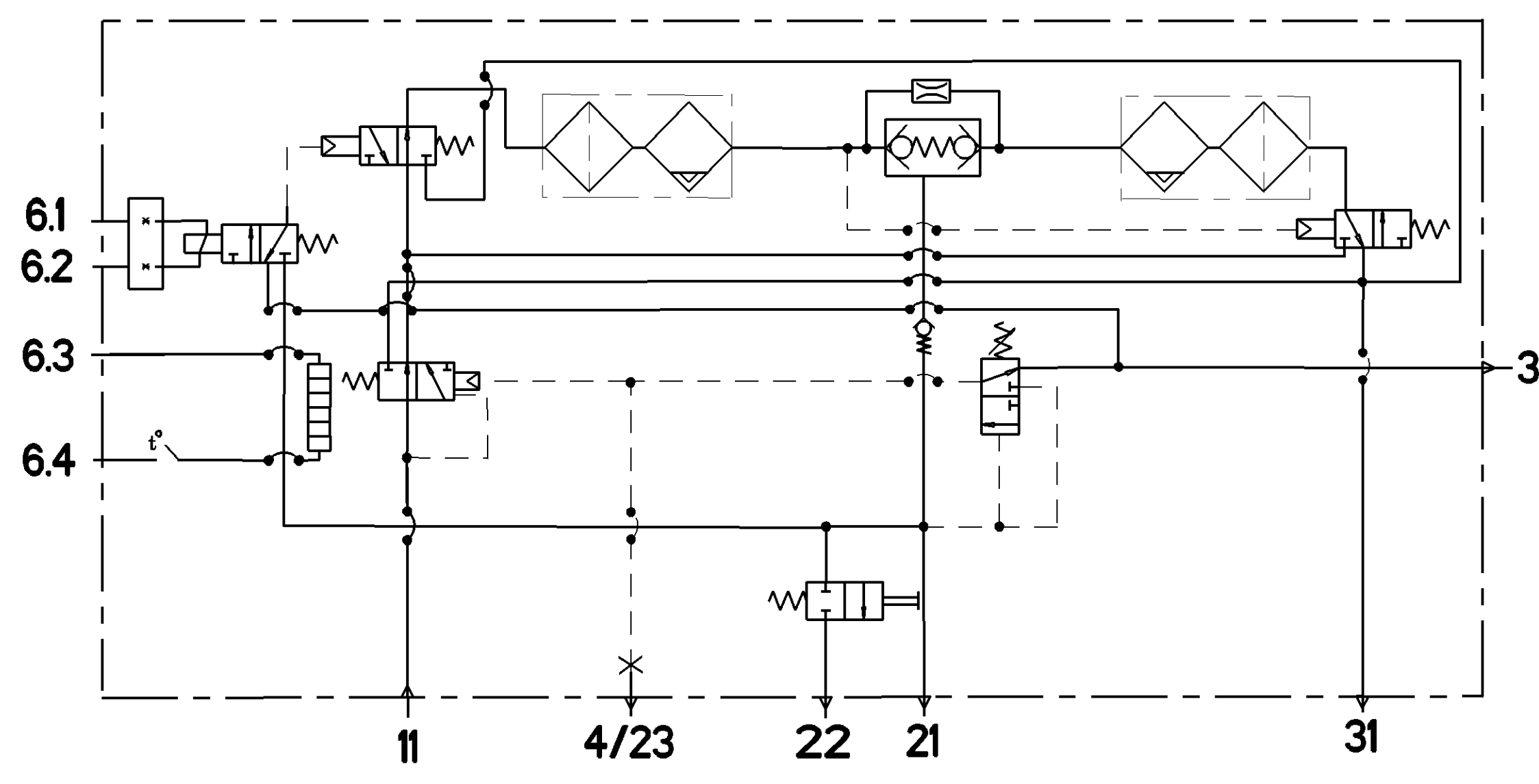
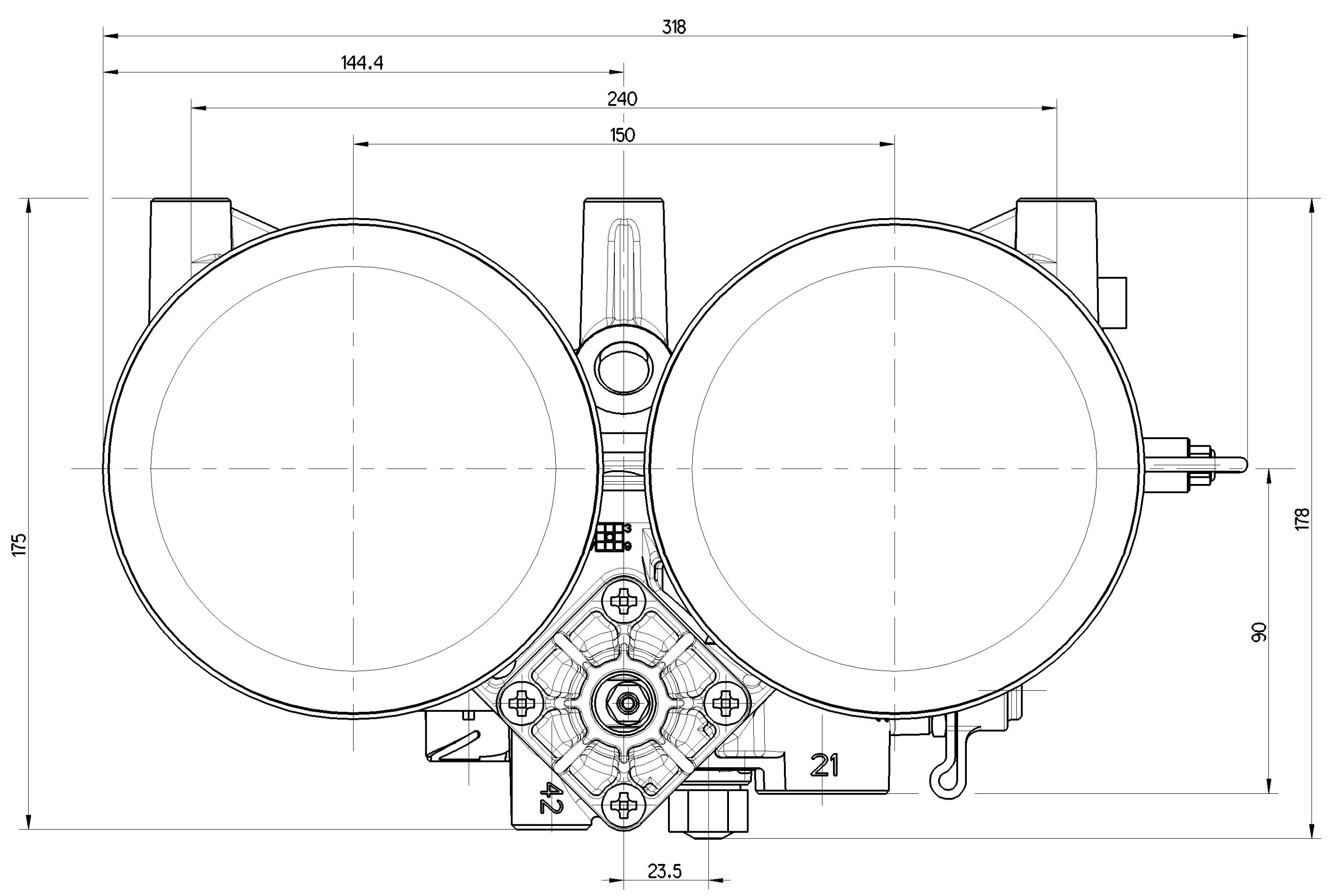
SAFETY VALVE

DYNAMIC PRESSURE OF THE SAFETY VALVE: 10⁺⁴/₀ bar (BY $\dot{V}_n=100 \text{ dm}^3/\text{min}$)

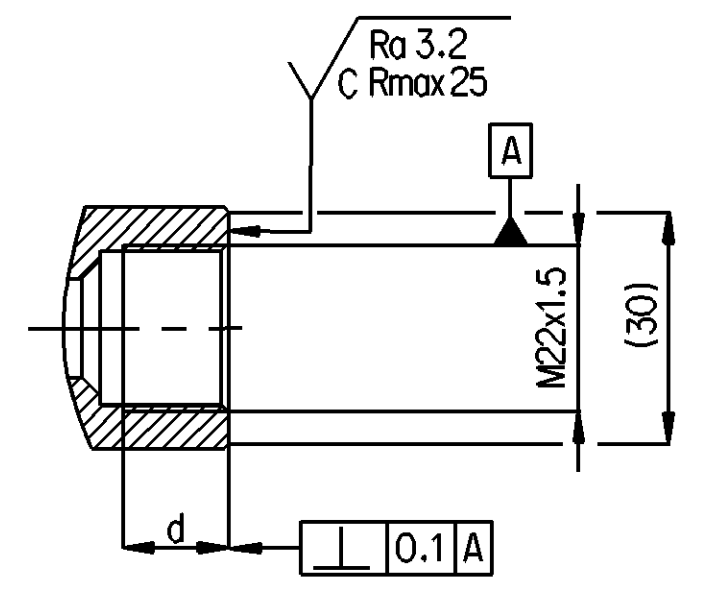
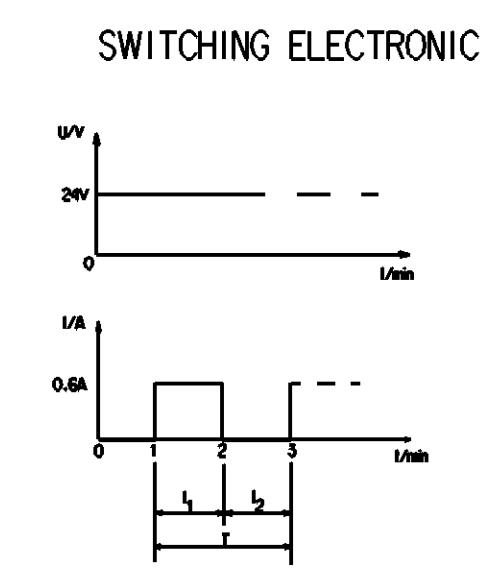
OUT-OFF PRESSURE: Pe = 8.1±0.2 bar

OPERATING PRESSURE: dP = 0.6±0.4/0 bar

PORT	FUNCTION	THREAD	TORQUE
11	FROM THE COMPRESSOR	M22x1,5 d=13	MAX 53 Nm
21	TO PROTECTION VALVE	M22x1,5 d=13.5	MAX 53 Nm
22	TYRE INFLATION DEVICE	-	-
4/23	CONTROL PORT	M16x1.5 JED-388-4	34 Nm
31/32	EXHAUST FOR COMPRESSED AIR	-	-



① DELIVERY VOLUME max 80 cm³ ② FREE FROM PAINT ③ INSTALLATION POSITION



THE VALVE CORRESPONDS TO THE REGULATIONS FOR ELECTROMAGNETIC DEVICES ACCORDING TO VDE 0580: TYPE OF PROTECTION ACCORD TO DIN 40050 SHEET 9 IP 68 (JED-370) A ④ THE DEVICE IS NOT PROTECTED AGAINST OVERVOLTAGE AND LOAD DUMP (TEST A AND TEST B ACC. TO ISO 16750-2:2012; §4.6.4).

General Specifications: JED-334-1, Size ISO 14400 LP		Copyright WABCO®		WABCO	
Further Technical Data: Product Specification		Date: 2020-09-09		TWIN-CHAMBER AIR DRYER	
Doc. Code: 035		Sheet: 1 To: 1		Date of first issue: 2009-09	
General Tolerances: JED-261		2020-09-10		006 EN 1/1	
Range of Nominal Dimensions (d in mm)		Unit		Material No.	
Class	to 1	50	180	400	400
Fine	0.5	1.0	1.5	2.0	
Medium	1.0	2.0	3.0	4.0	
Coarse	2.0	3.5	5.0	6.5	
Tapped holes acc. JED-152		Scale: 8.6		Drawing No.: 432 433 105 0	
Tolerances class: JED-152		Scale: 1:1		Date of first issue: 2009-09	
Tolerances class: JED-152		Scale: 1:1		Sheet: 006 EN 1/1	
Tolerances class: JED-152		Scale: 1:1		Sheet: 006 EN 1/1	