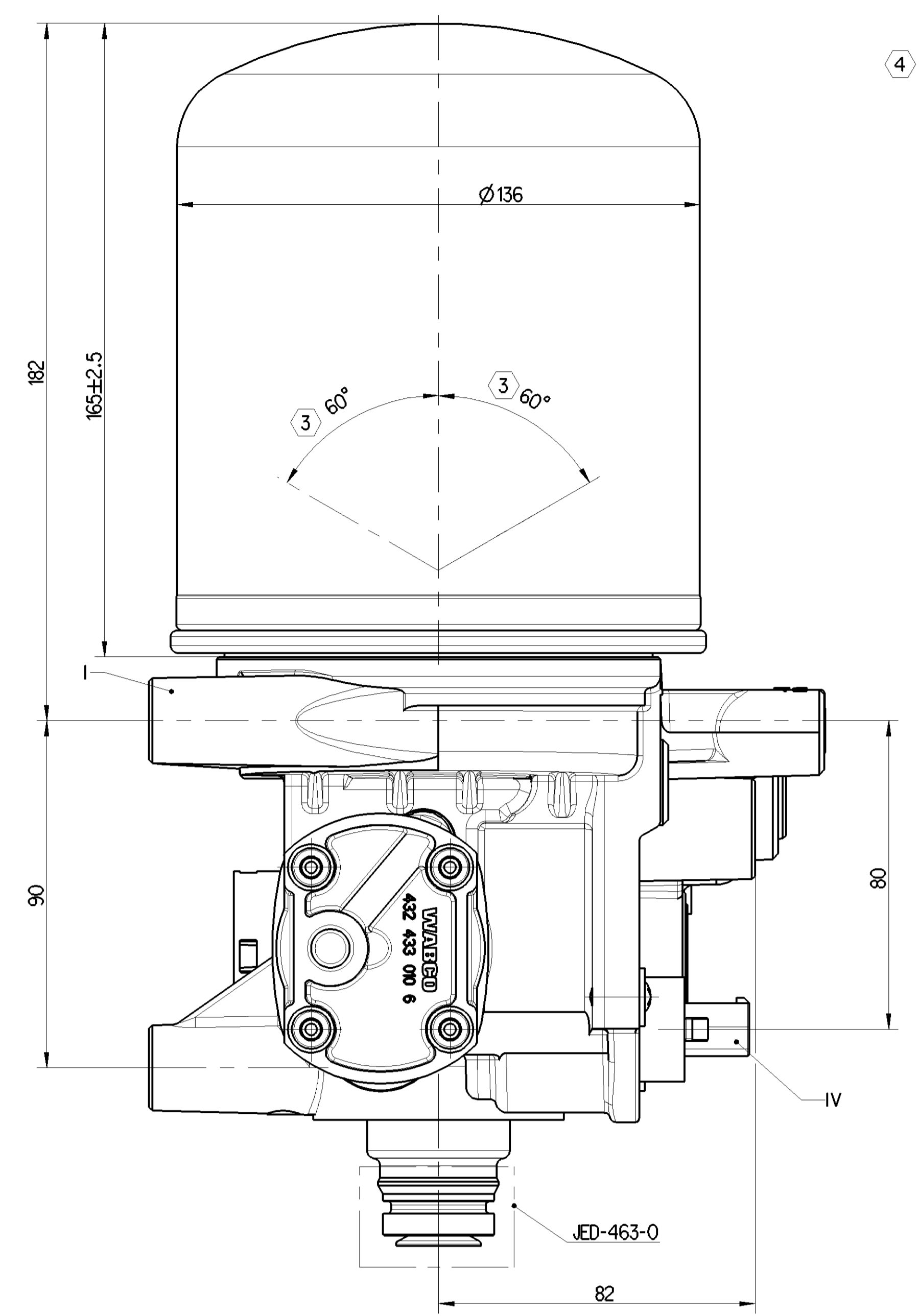
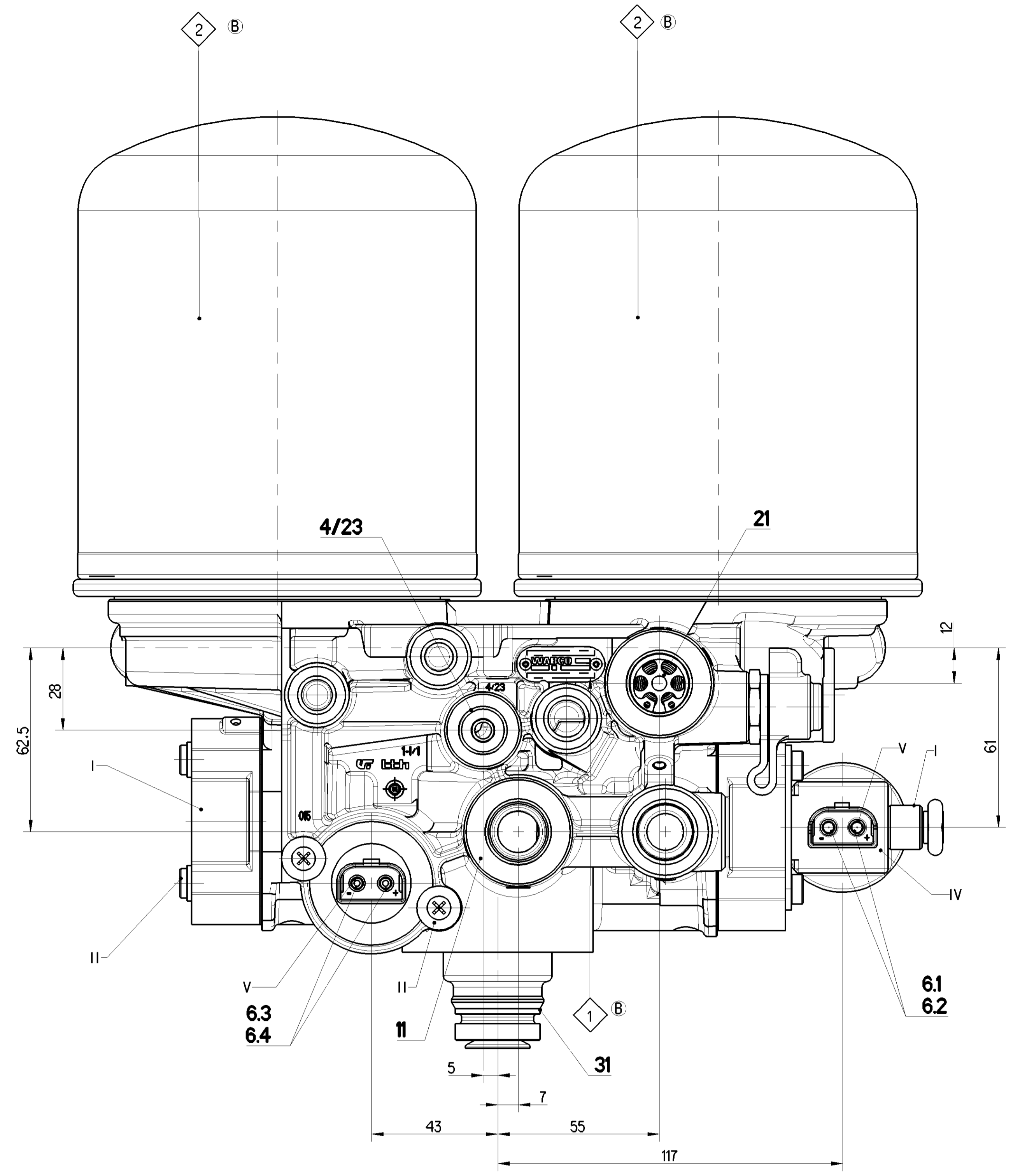
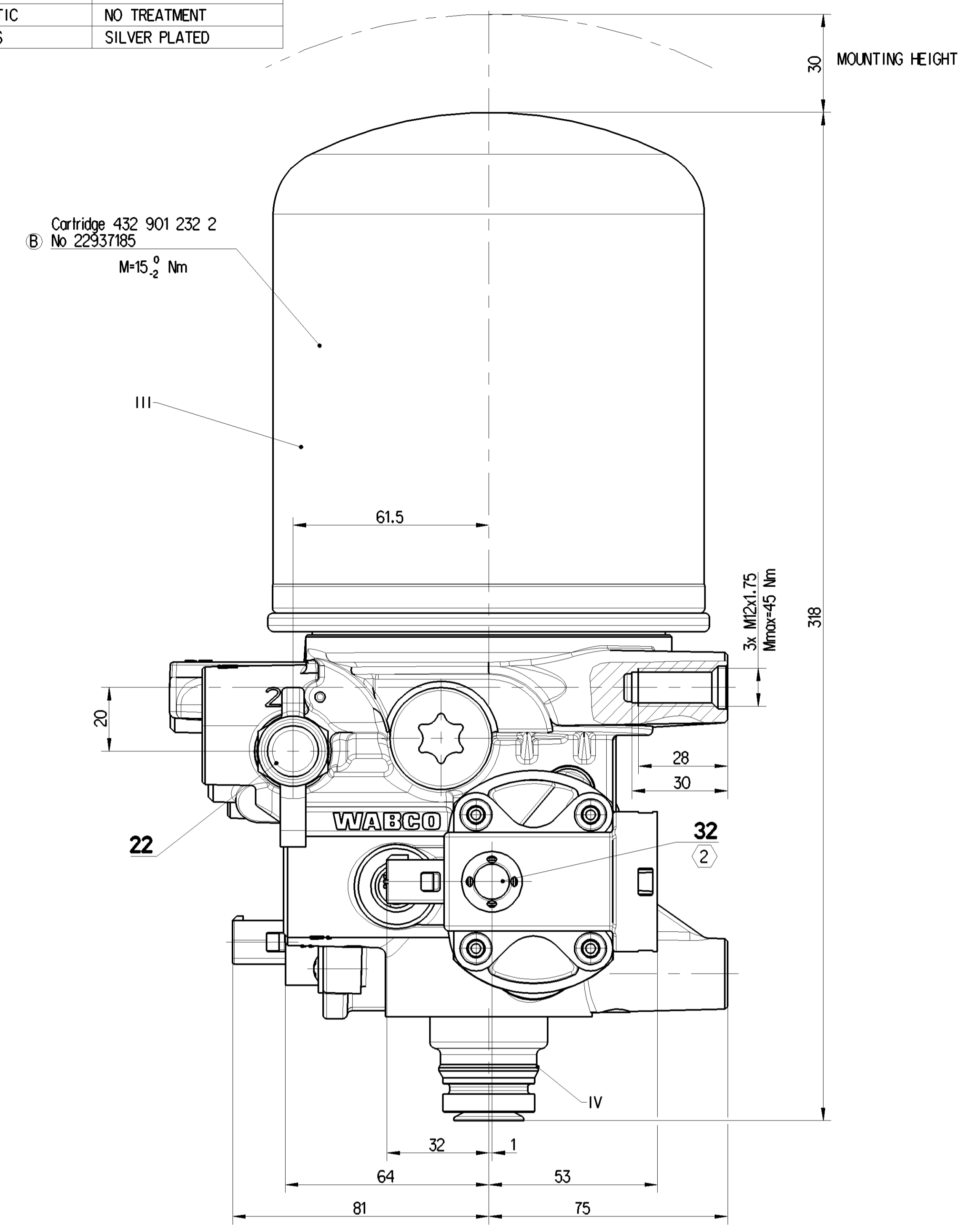
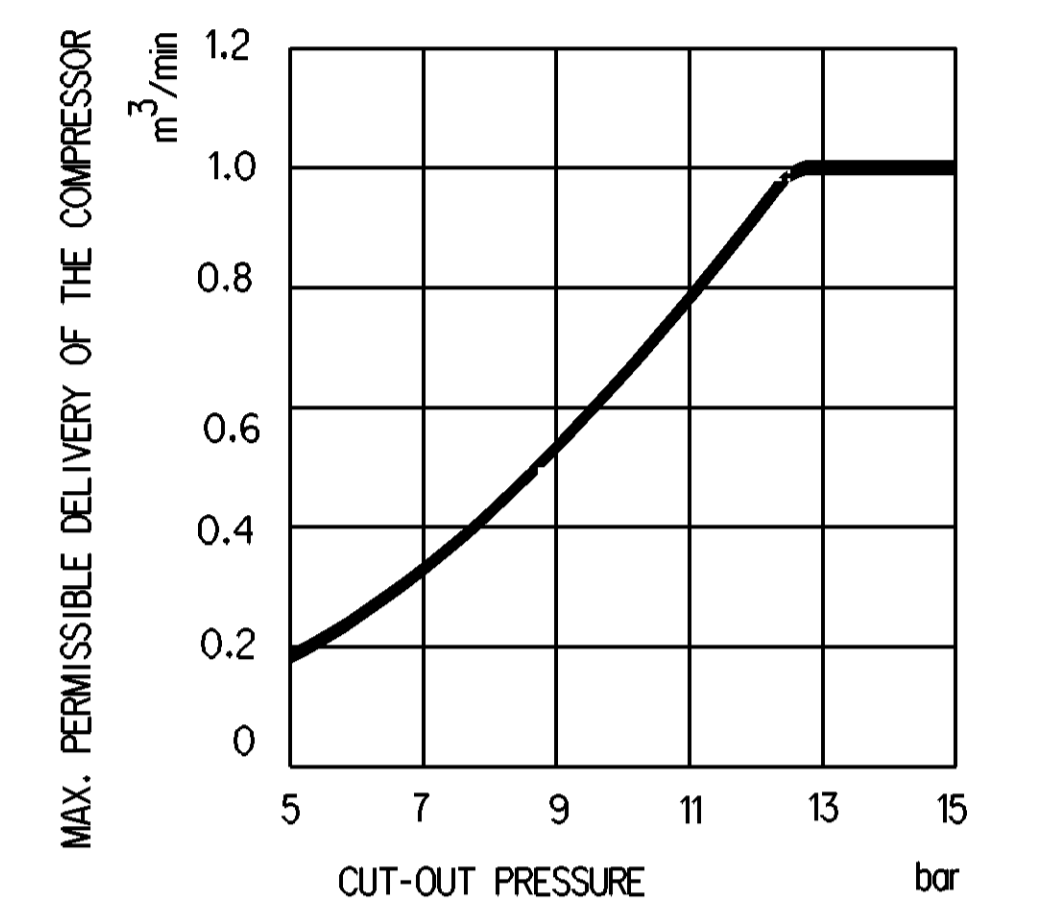


PART CODE	MATERIAL	SURFACE PROTECTION
I	ALUMINIUM ALLOY	CHROMATED
II	CHROMATED	PASSIVATED
III	STEEL	PAINTED
IV	PLASTIC	NO TREATMENT
V	BRASS	SILVER PLATED

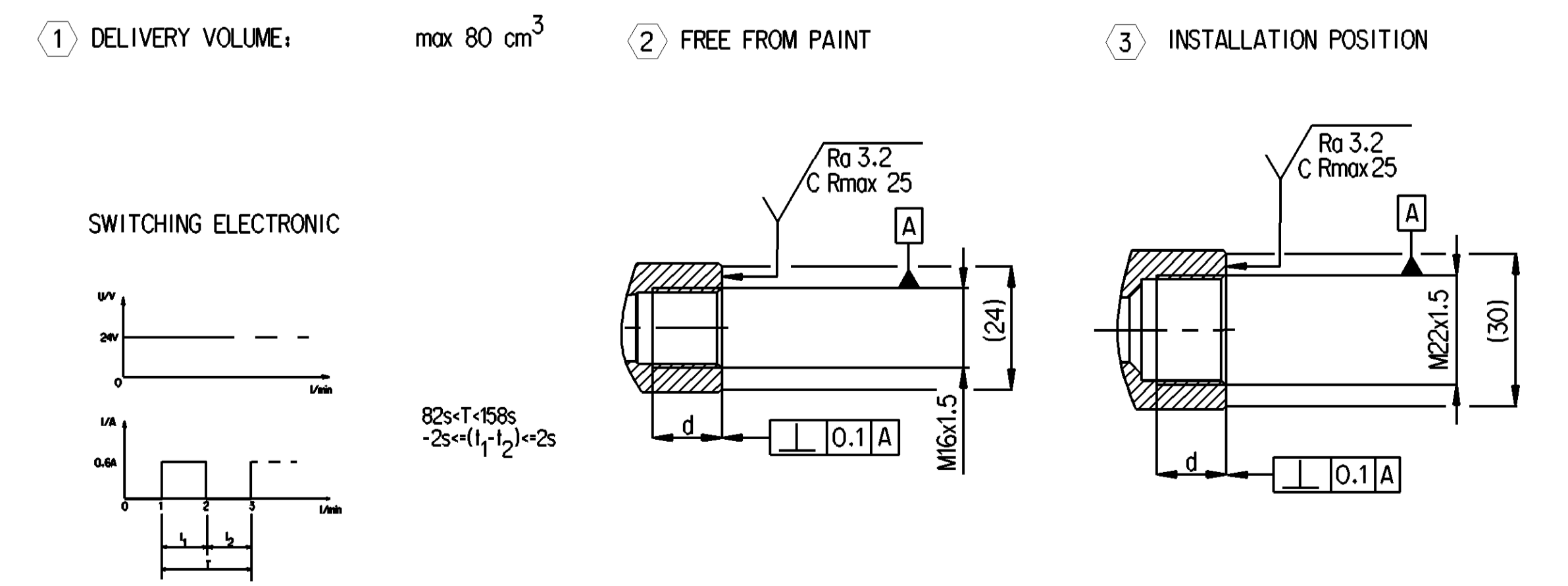
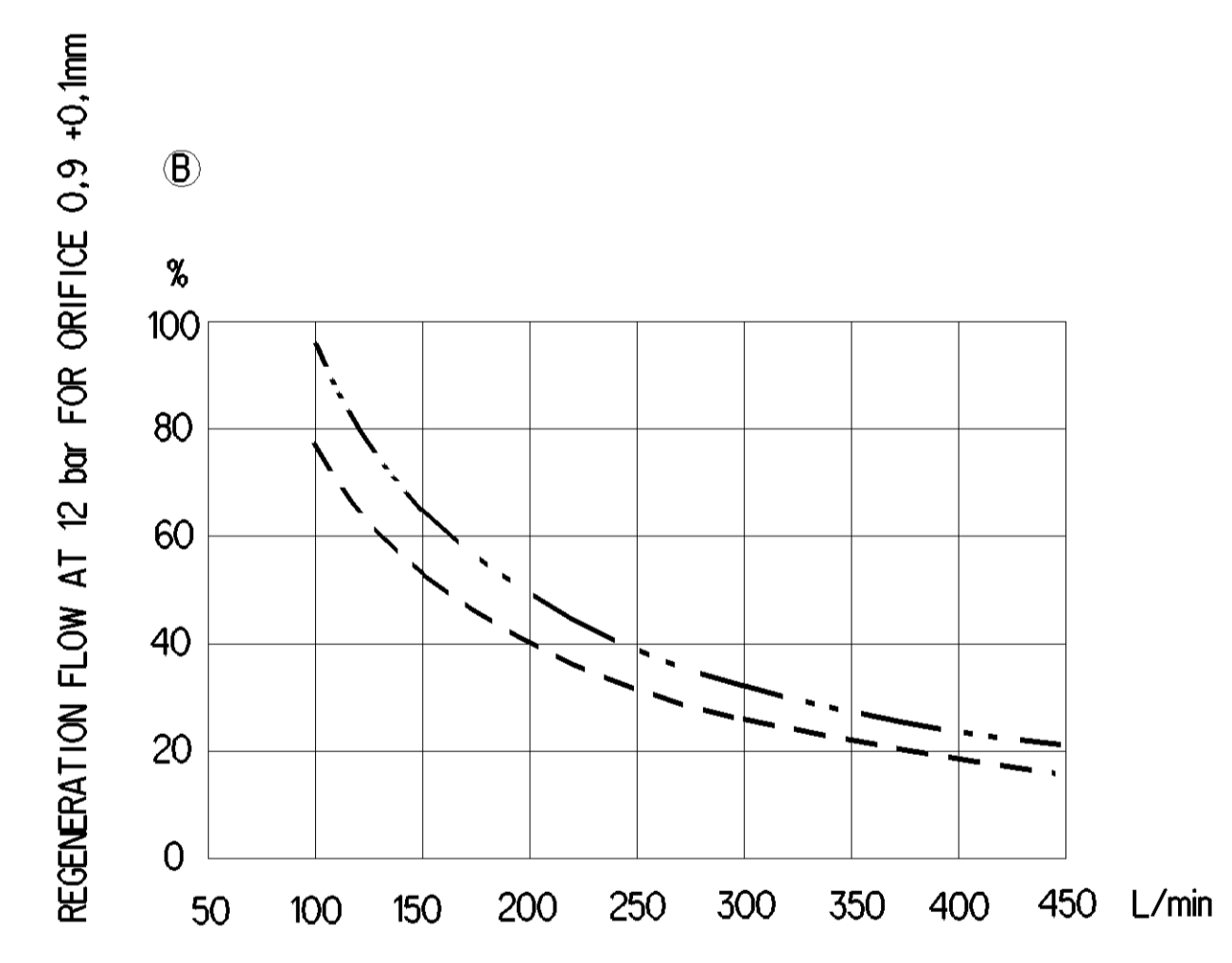
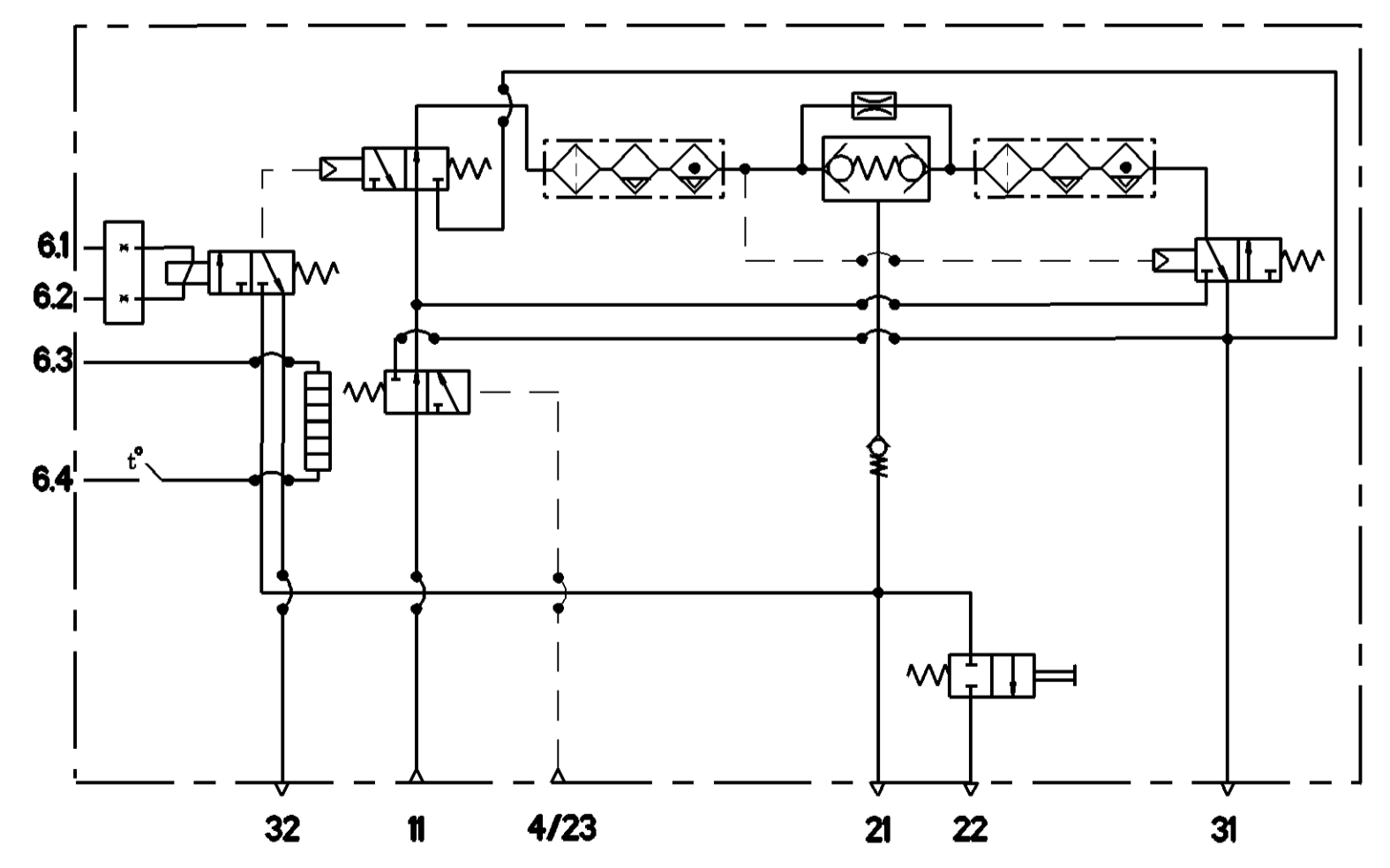
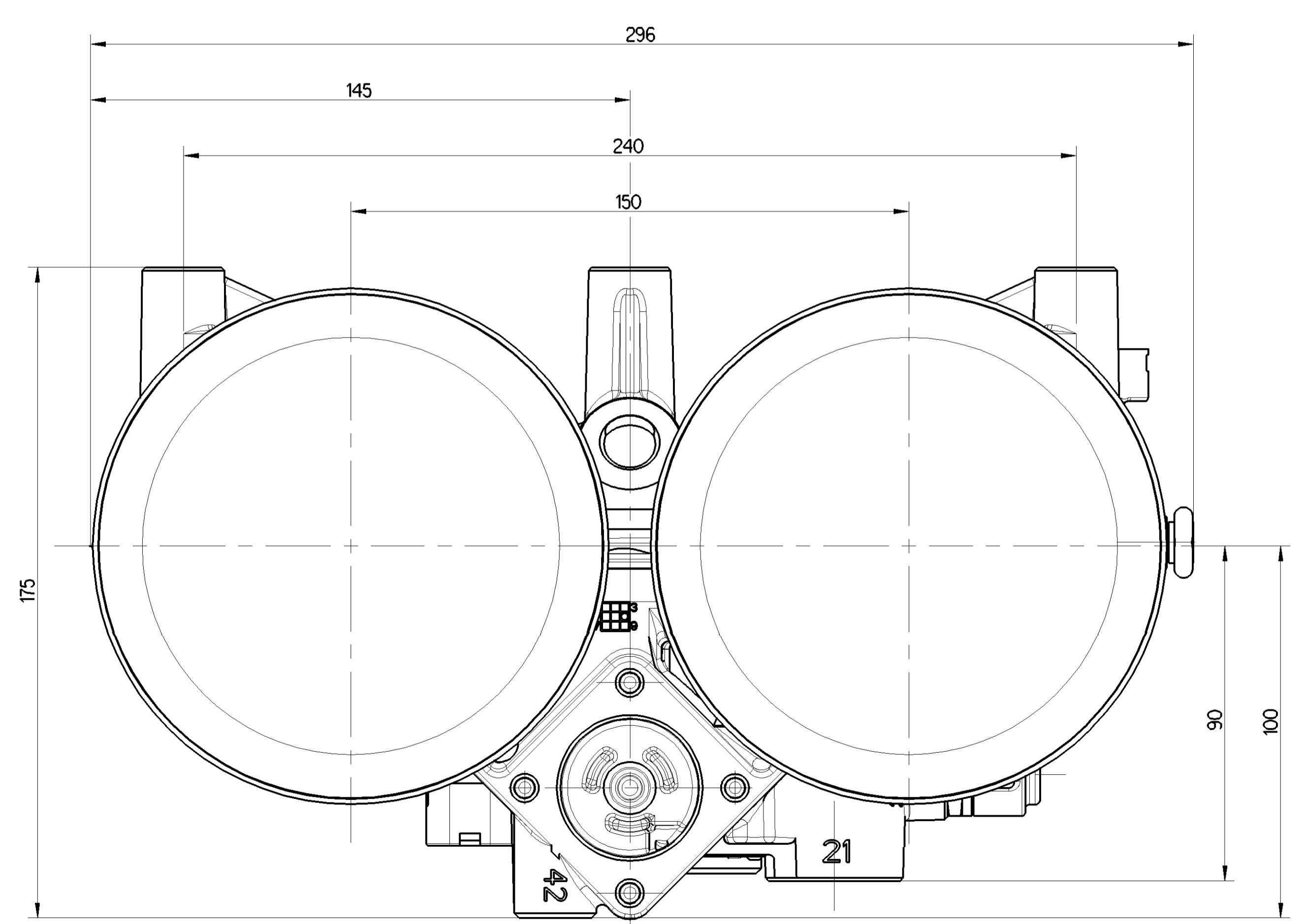


6.1 6.2	SOLENOID	NOMINAL CURRENT:	$I_n=0.6A$
		BATTERY VOLTAGE:	24 +8/-2.4V DC (B)
6.3 6.4	HEATING	HEATING CUT-IN TEMPERATURE:	$7 \pm 6^\circ C$
		HEATING CUT-OFF TEMPERATURE:	$29.5 \pm 3^\circ C$
		NOMINAL POWER:	100 W
		POWER WITH 24V DC:	95 +0/-5W
		BATTERY VOLTAGE:	24 +4.8/-2.4V DC (B)



THERMAL RANGE OF CONTINUOUS APPLICATION: $-40^\circ C \dots +65^\circ C$
 RESISTANCE TO HEAT: $+80^\circ C$ MAX.
 MEDIUM: COMPRESSED AIR
 WORKING PRESSURE: P_e MAX. = 13 bar
 MAX. PERMISSIBLE FREQUENCY: 50 Hz
 MAX. PERMISSIBLE ACCELERATION: ± 10 xg
 SERVICE CONDITION: CONTINUOUS SERVICE

PORT	FUNCTION	THREAD	TORQUE
11	FROM THE COMPRESSOR	M22x1,5 d=13	MAX 53 Nm
21	TO PROTECTION VALVE	M22x1,5 d=13.5	MAX 53 Nm
22	TYRE INFLATION DEVICE	-	-
4/23	CONTROL PORT	M16x1,5 d=12	MAX 34 Nm
31/32	EXHAUST FOR COMPRESSED AIR		



THE VALVE CORRESPONDS TO THE REGULATIONS FOR ELECTROMAGNETIC DEVICES ACCORDING TO VDE 0580 : TYPE OF PROTECTION ACCORD TO DIN 40050 SHEET 9 IP 66 A (B) THE DEVICE IS NOT PROTECTED AGAINST OVERVOLTAGE AND LOAD DUMP (TEST A AND TEST B ACC. TO ISO 16750-2:2012; §4.6.4).

General Specifications: 432-534-1, Size ISO 14400 LP
 Further Technical Data: Product Specification
 Doc. Code: 0301
 Date: 2021-07-02
 Drawn: Kurzynski
 Checked: Koszowski
 Approved: Pulo
 WABCO
 TWIN-CHAMBER AIR DRYER
 Class: 1, 2, 3, 4, 5, 6, 7, 8, 9, 10, 11, 12, 13, 14, 15, 16, 17, 18, 19, 20, 21, 22, 23, 24
 Size: 8.3
 Scale: 1:1
 Part No.: 432 433 194 0
 Date of 1st issue: 2019-03-06
 Language: EN
 Sheet: 1/1