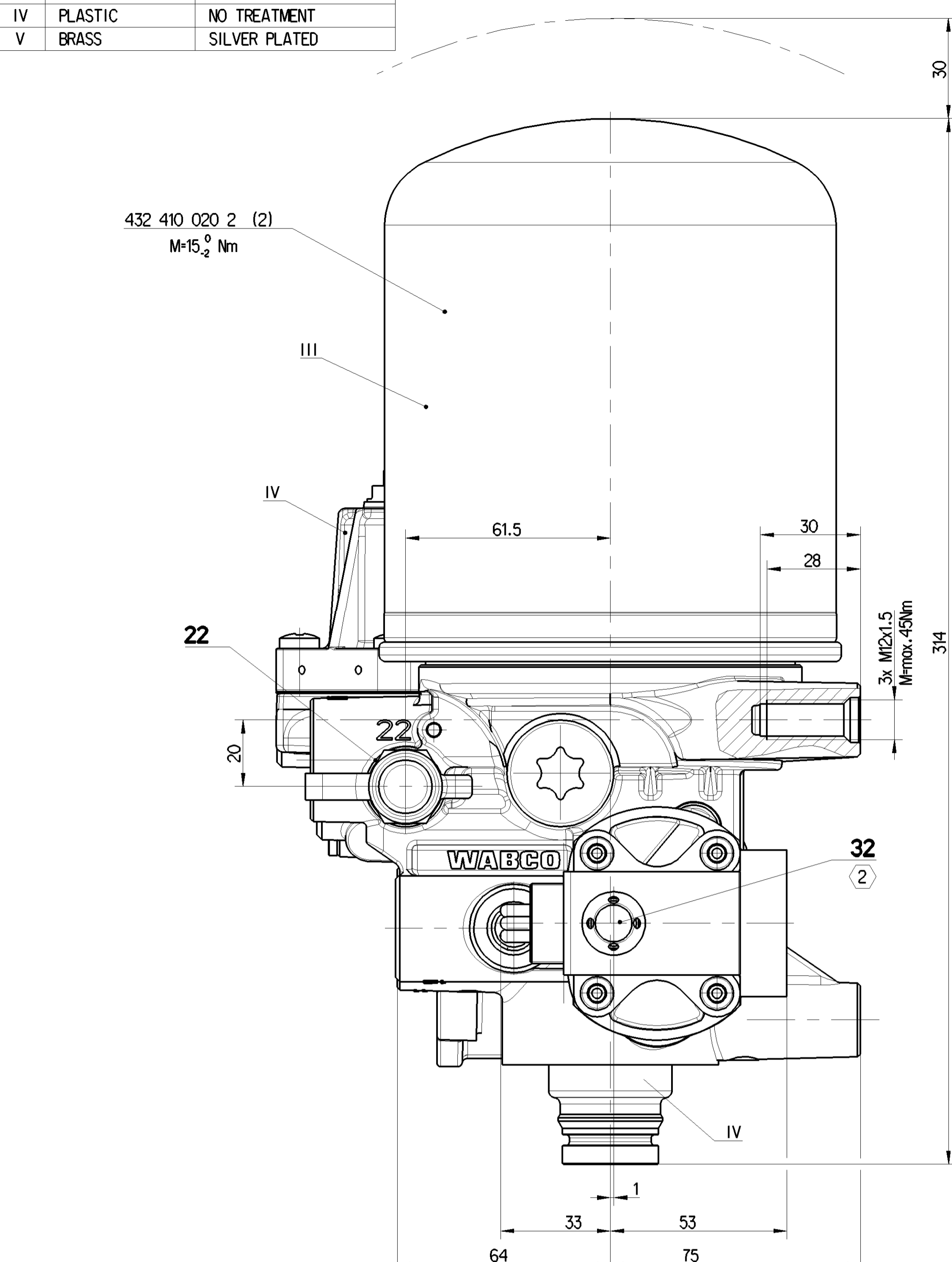
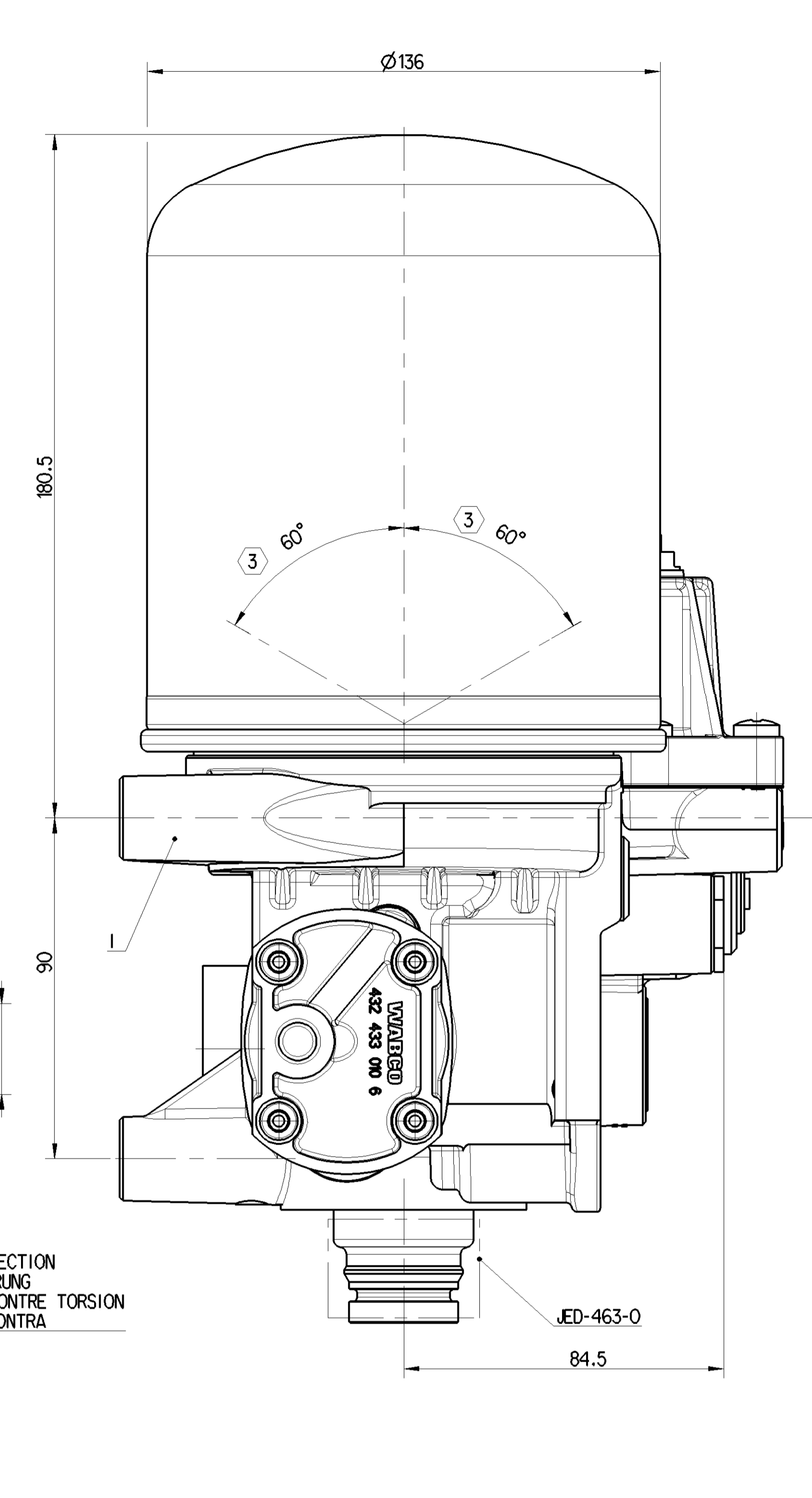
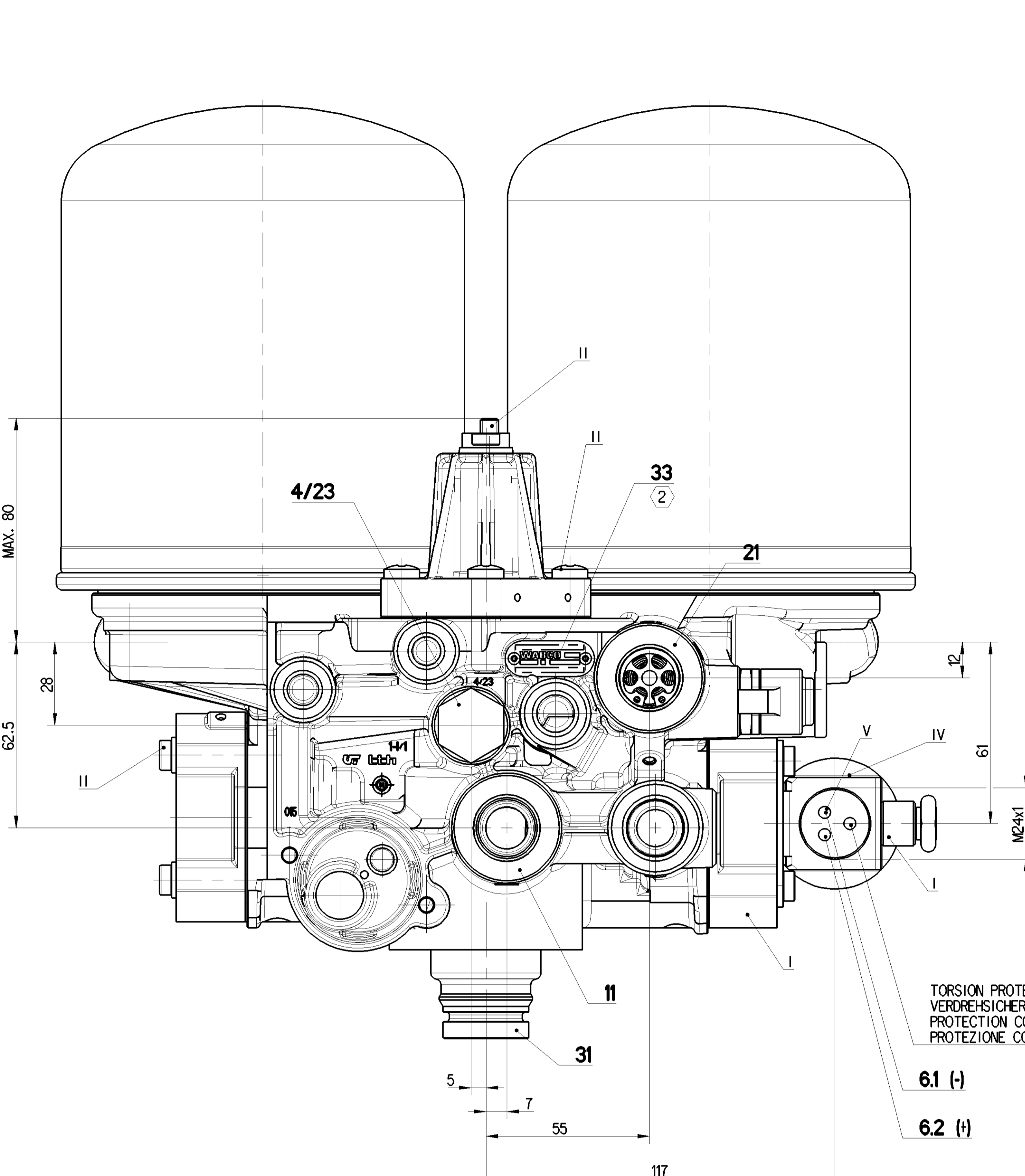


PART CODE	MATERIAL	SURFACE PROTECTION
I	ALUMINIUM ALLOY	CHROMATED
II	CHROMATED	PASSIVATED
III	STEEL	PAINTED
IV	PLASTIC	NO TREATMENT
V	BRASS	SILVER PLATED



MOUNTING HEIGHT
MONTAGEHOEHE
HAUTEUR DE MONTAGE
POSIZIONE DI MONTAGGIO

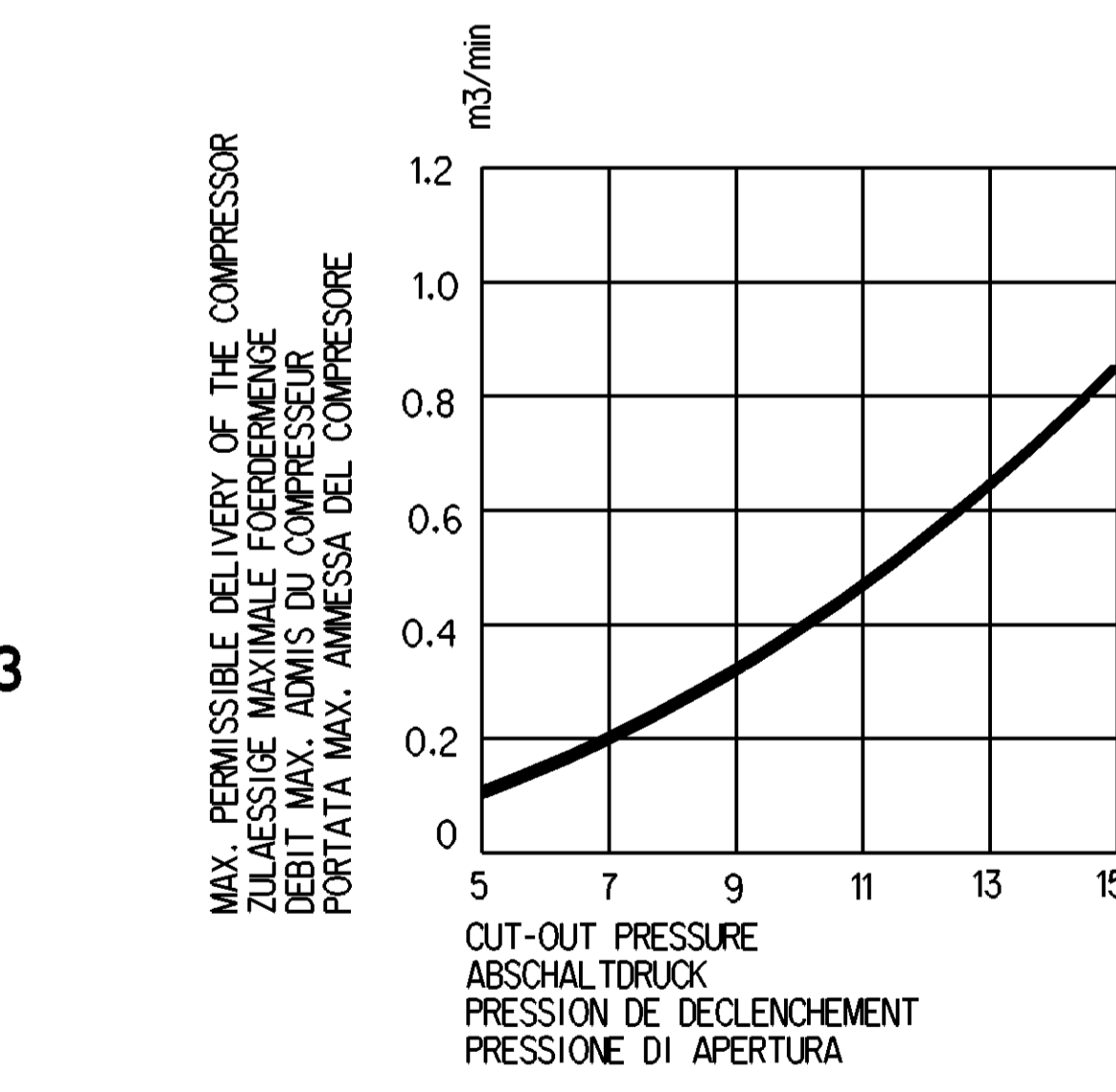
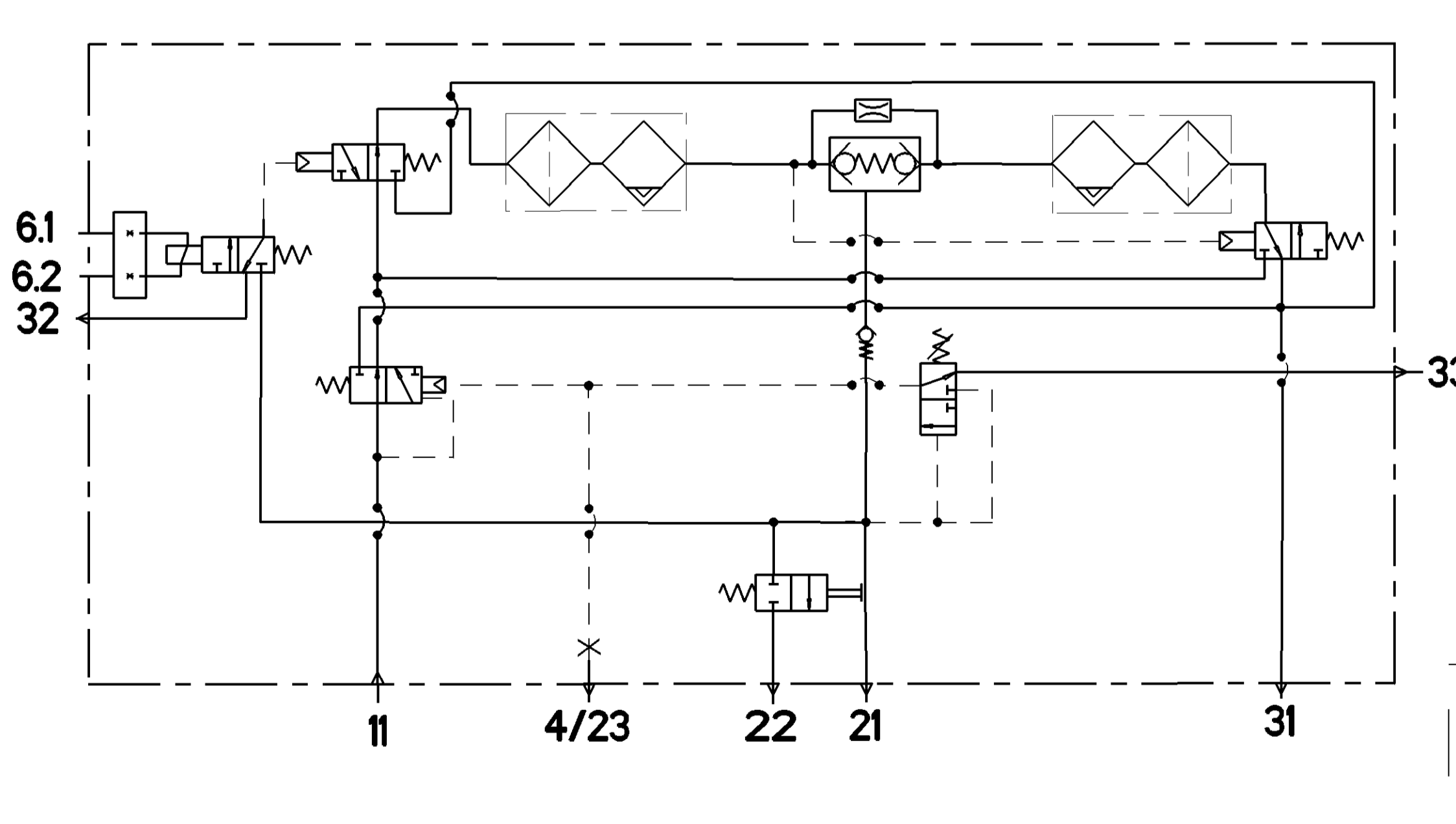
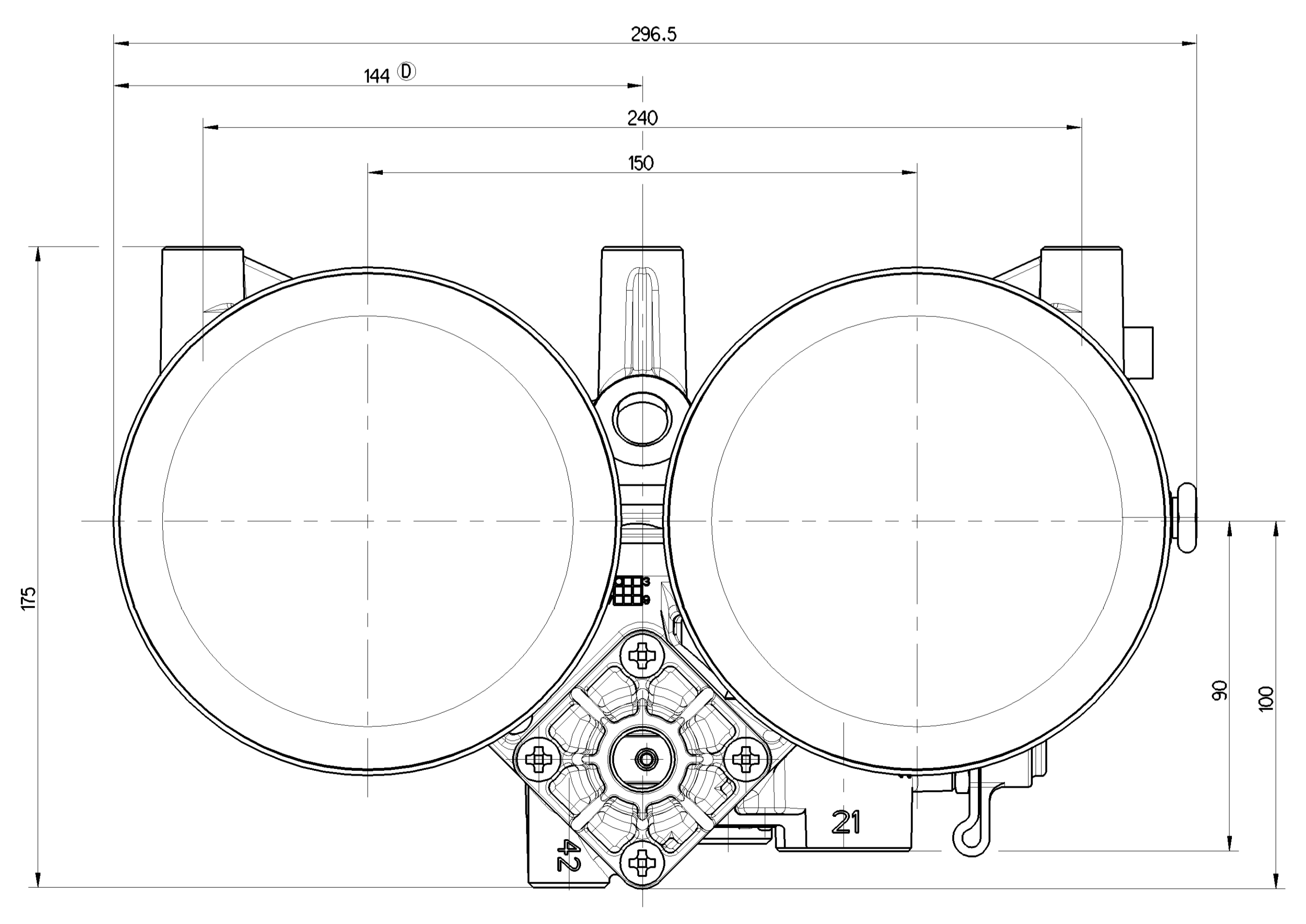
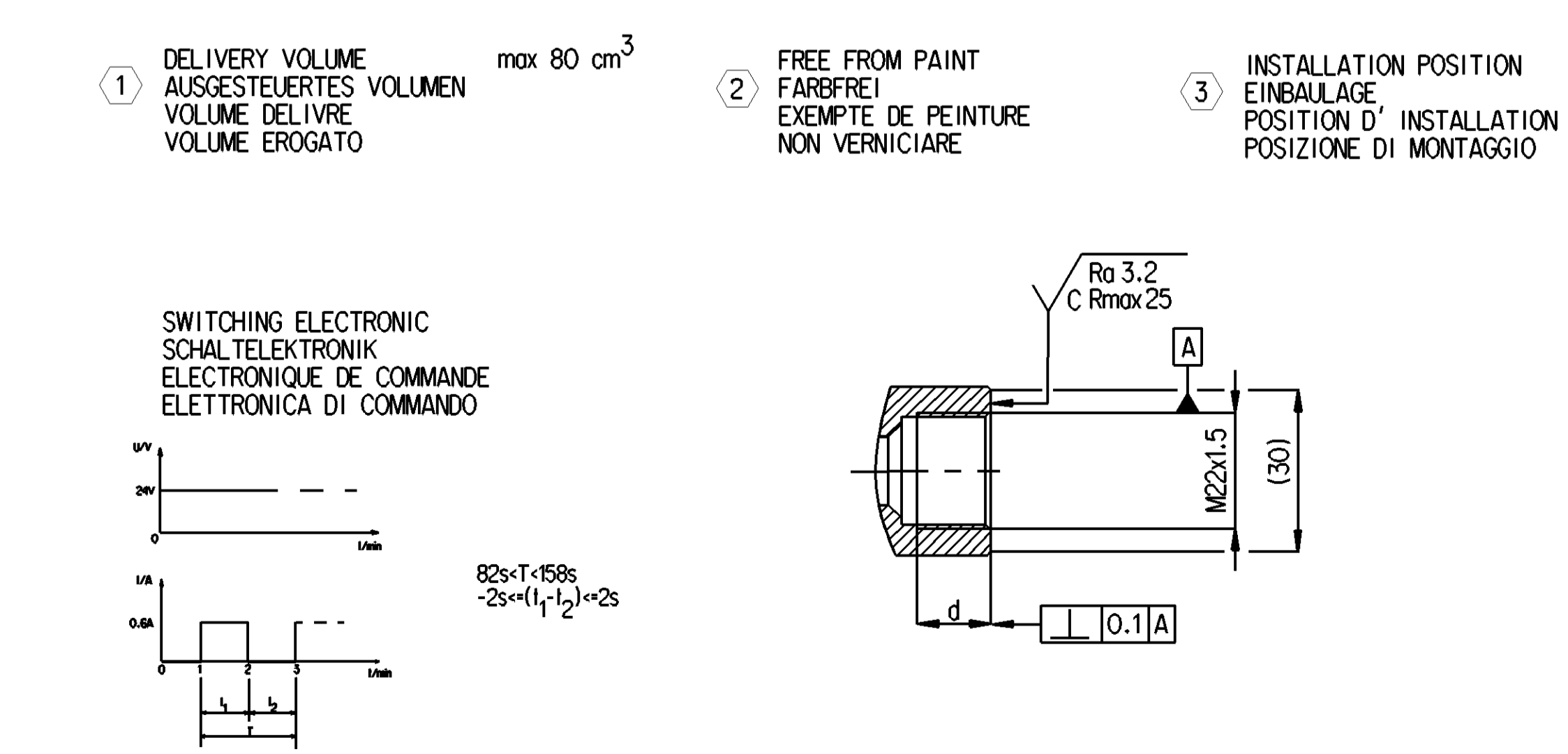


DATE OF MANUFACTURING HERSTELLDATUM DATE OF FABRICATION DATE DI FABBRICAZIONE	(wwyy)	CUSTOMER NO. KUNDE-NR NO. DU CLIENT NO. CLIENTE
IDENTIFICATION NUMBER IDENTIFIZIERUNGS-NUMMER NUMERO D'IDENTIFICATION NUMERO D'IDENTIFICAZIONE		MANUFACTURING PLANT PRODUKTIONSSTAETTE LIEU DE FABRICATION LIDGO DI FABBRICAZIONE

6.1 6.2	SOLENOID VENTILMAGNET L'AIMANT SOLENOIDE	NOMINAL CURRENT NENNSTROM COURANT NOMINAL CORRENTE NOMINALE:	In=0.6A
		BATTERY VOLTAGE BATTERIESPANNUNG TENSION DE BATTERIE TENSIONE DI BATTERIA:	24 +8/-2.4 V DC

THERMAL RANGE OF CONTINUOUS APPLICATION THERMISCHER DAUERANWENDUNGSBEREICH PLAQUE DE TEMPERATURE EN UTILISATION CONTINUE COMPO DI APPLICAZIONE CONTINUA:	-40°C... +65°C
RESISTANCE TO HEAT WAERMEBESTAENDIGKEIT RESISTANCE A LA CHALEUR RESISTENZA AL CALORE:	+80°C MAX.
MEDIUM: COMPRESSED AIR MEDIUM: DRUCKLUFT FLUIDE: AIR COMPRIME FLUIDO: ARIA COMPRESSA	
WORKING PRESSURE BETRIEBSDRUCK PRESSION DE SERVICE PRESSIONE D'ESERCIZIO:	Pe MAX. = 13 bar
MAX. PERMISSIBLE FREQUENCY MAX. ZULAESSIGE FREQUENZ MAX. ADMISSIBLE FREQUENZA MAX. AMMISSIBILE FREQUENZA	50 Hz
MAX. PERMISSIBLE ACCELERATION MAX. ZULAESSIGE BESCHLEUNIGUNG ACCELERATION MAX. ADMISSIBILE ACCELERAZIONE MAX. AMMESSA	±10 xg
SERVICE CONDITION BETRIEBSART CONDITION DU SERVICE CONDIZIONE DI SERVIZIO	CONTINUOUS SERVICE DAUERBETRIEB SERVICE CONTINU SERVIZIO CONTINUO
SAFETY VALVE SICHERHEITSVENTIL SOUPAPE DE SECURITE VALVOLA DI SICUREZZA	
DYNAMIC PRESSURE OF THE SAFETY VALVE STAUDRUCK DES SICHERHEITSVENTILES PRESSION DYNAMIQUE DE LA SOUPAPE DE SECURITE PRESSIONE DINAMICA DELLA VALVOLA DI SICUREZZA	14 ^{1/2} bar (BY Vn=100 dm ³ /min)
OUT-OUT PRESSURE ABSCHALTDRUCK PRESSION DE COUPLURE PRESSIONE DI DISINSERIMENTO	Pe = 12.5±0.2 bar
OPERATING PRESSURE SCHALTSPANNE PRESSION DE FONCTIONNEMENT PRESSIONE DI FUNZIONAMENTO	dP +1.3 +0.7/0 bar

PORT ANSCHLUSS ORIFIZIO	FUNCTION FUNKTION FUNCTION FUNZIONE	THREAD GEWINDE FILETAGE FILETTATURA	TORQUE ANZUGSMOMENT COUPLE DE SERRAGE COPPIA DI SERRAGGIO
11	FROM THE COMPRESSOR VOM KOMPRESSOR PROVENANT DU COMPRESSEUR PROVENIENTE DEL COMPRESSORE	M22x1.5 d=13	MAX 53 Nm
21	TO PROTECTION VALVE ZUM SCHUTZVENTIL AU VALVE DE PROTECTION A VALVOLA DI PROTEZIONE	M22x1.5 d=13.5	MAX 53 Nm
22	TYRE INFLATION DEVICE REIFENFUELLANSCHLUSS PRISE POUR GONFLAGE PNEU PRESA PER GONFIAGGIO PNEUM	-	-
4/23	CONTROL PORT STEUERANSCHLUSS ORIFICE DE COMMANDE ORIFIZIO DI COMANDO	M16x1.5 JED-388-4	34 Nm
31/32	EXHAUST FOR COMPRESSED AIR ENTLUEFTUNG FUER DRUCKLUFT ECHAPPEMENT POUR AIR COMPRI SCARICO PER ARIA COMPRESSA	-	-



THE VALVE CORRESPONDS TO THE REGULATIONS FOR ELECTROMAGNETIC DEVICES ACCORDING TO VDE 0580
DAS GERÄT ENTSPRICHT DEN BESTIMMUNGEN FUER ELEKTROMAGNETISCHE GERÄTE NACH VDE 0580
LA VALVE CORRESPOND AUX CONDITIONS POUR DES APPAREILS ELECTROMAGNETIQUES SUIVANT VDE 0580
LA VALVOLA CORRISPONDE ALLE CONDIZIONI PER APPARECCHI ELETTROMAGNETICHI SECONDO VDE 0580

TYPE OF PROTECTION ACCORD TO DIN 40050 SHEET 9
SCHUTZART NACH DIN 40050 BLATT 9
MODE DE PROTECTION SUIVANT DIN 40050 FEUILLE 9
TIPO DI PROTEZIONE SECONDO DIN 40050 FOGLIO 9

IP 66 A

THE DEVICE IS NOT PROTECTED AGAINST OVERVOLTAGE AND LOAD DUMP (TEST A AND TEST B ACC. TO ISO 16750-2:2012; §4.6.4).
DAS GERÄT IST NICHT GESCHÜTZT GEGEN ÜBERSpannung UND LOAD DUMP (TEST A UND TEST B NACH ISO 16750-2:2012; §4.6.4).
L'APPAREIL N'EST PAS PROTÉGÉ CONTRE LA SURTENSION ET LOAD DUMP (ESSAI A ET TEST B SELON ISO 16750-2:2012; §4.6.4).
IL APPARECCHIO NON È PROTETTO CONTRO LA SOVRATENSIONE E LOAD DUMP (PROVA A E B SECONDO ISO 16750-2:2012; §4.6.4).

General Specifications: JED-334-1, Size ISO 14420	Design: WABCO	WABCO
Doc. Code: 020	Version: 2020-09-03	2020-09-17
Class: 1, 2, 3, 4, 5, 6, 7, 8, 9, 10, 11, 12, 13, 14, 15, 16, 17, 18, 19, 20, 21, 22, 23, 24, 25, 26, 27, 28, 29, 30, 31, 32, 33, 34, 35, 36, 37, 38, 39, 40, 41, 42, 43, 44, 45, 46, 47, 48, 49, 50, 51, 52, 53, 54, 55, 56, 57, 58, 59, 60, 61, 62, 63, 64, 65, 66, 67, 68, 69, 70, 71, 72, 73, 74, 75, 76, 77, 78, 79, 80, 81, 82, 83, 84, 85, 86, 87, 88, 89, 90, 91, 92, 93, 94, 95, 96, 97, 98, 99, 100	Scale: 1:1	432 433 218 0
Sheet: 1/1	005 ML	1/1