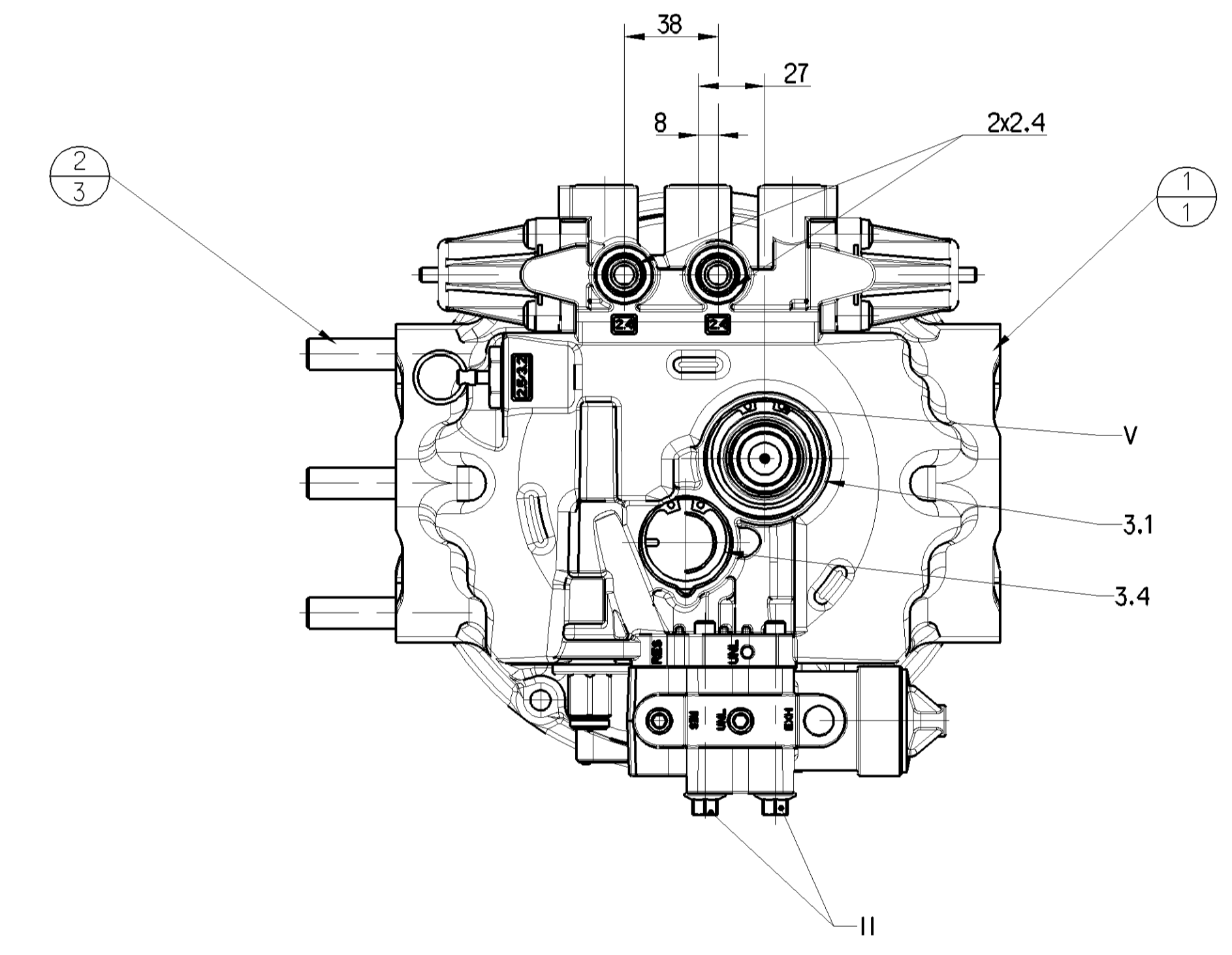
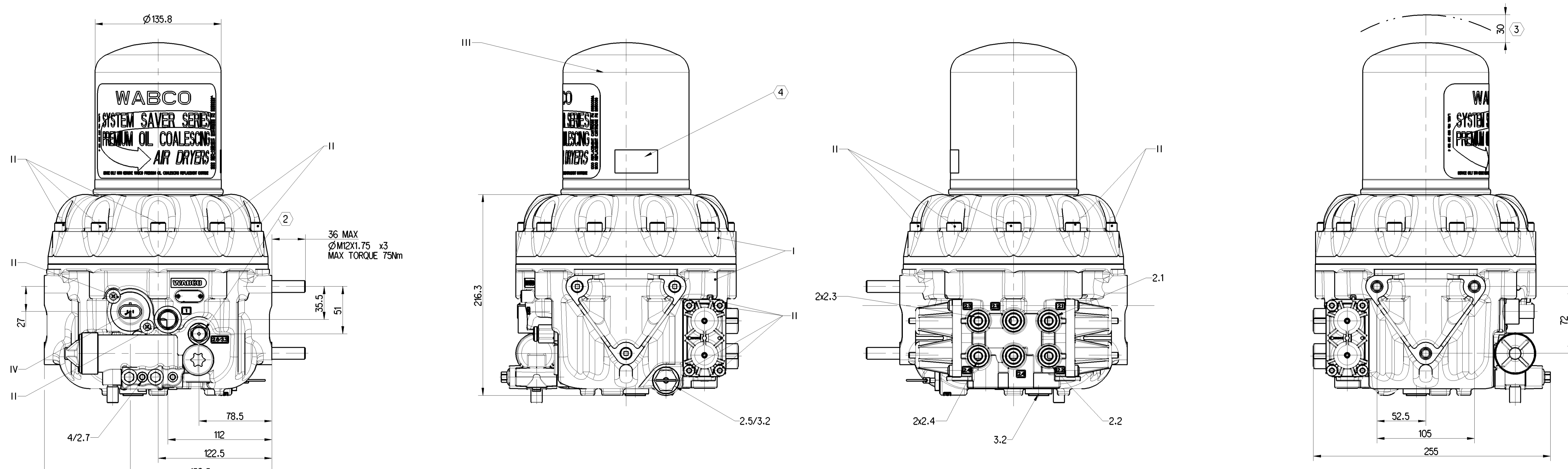


| PART CODE | MATERIAL | SURFACE PROTECTION |
|-----------|-----------------|--------------------|
| I | ALUMINIUM ALLOY | CHROMATED |
| II | STEEL | PASSIVATED |
| III | STEEL | VARNISH |
| IV | BRASS | SILVER COATED |
| V | STEEL | PHOSPHATED |



| ITEM | DESCRIPTION | QTY |
|------|----------------|-----|
| 2 | STUDS M12X1.75 | 3 |
| 1 | AIR DRYER | 1 |

| PORT ANSCHLUSS ORIFIZIO | FUNCTION FUNCTION FUNZIONE | THREAD GEWINDE FILETTAGE FILETTATURA | TORQUE FOR CONNECTIONS: ANZUGSMOMENT FUER EINSCHRAUBSTUTZEN; COUPLE DE SERRAGE DES RACCORDS; COPPIA DI SERRAGGIO DEI RACCORDI. |
|-------------------------|---|--------------------------------------|--|
| 1 | SUPPLY ENERGIEZUFUSS ALIMENTAZIONE | 1/2"-14 NPTF | MAX. 50 Nm |
| 2.1 | SERVICE BRAKE BETRIEBSBREMSE FREINAGE FRENATURA | 3/8"-18 NPTF | MAX. 30 Nm |
| 2.2 | SERVICE BRAKE BETRIEBSBREMSE FREINAGE FRENATURA | 3/8"-18 NPTF | MAX. 30 Nm |
| 2 x 2.3 | TRAILER BRAKING SYSTEM ANHAENGER BREMSANLAGE SYSTEME DE FREINAGE DE LA REMORQUE FRENATURA DEL RIMORCHIO | 3/8"-18 NPTF | MAX. 30 Nm |
| 4 x 2.4 | AUXILIARY DEVICE NEBENVERBRAUCHER SERVIZI AUSILIARI | 3/8"-18 NPTF | MAX. 30 Nm |
| 2.5/3.2 | DRAIN VALVE ENTWAESSERVENTIL VALVE DE PURGE VALVOLA DI SPURGO | 1/2"-14 NPTF | MAX. 50 Nm |
| 2.6/3.3 | SAFETY VALVE SICHERHEITSVENTIL SOUPAPE DE SECURITE VALVOLA DI SICUREZZA | 3/8"-18 NPTF | MAX. 30 Nm |
| 3.1; 3.4; 3.5 | EXHAUST FOR COMPRESSED AIR ENTLUEFTUNG FUER DRUCKLUFT ECHAPPEMENT POUR AIR COMPRIME SCARICO PER AIRIA COMPRESSA | - | - |
| 4/2.7 | CONTROL PORT STEVERANSCHLUSS ORFICE DE COMMANDE ORIFIZIO DI COMANDO | 1/8"-27 NPTF | MAX. 25 Nm |
| 6 | HEATING HEIZUNG RISCALDAMENTO | - | - |

| PORTS ORIFICES | ANSCHLUSSE ATTACCHI | 2.1 | 2.2 | 2 x 2.3 | 4 x 2.4 |
|--|---------------------|-----------------------|-----------------------|-----------------------|-----------------------|
| OPENING PRESSURE DYNAMIC OEFFNUNGSDRUCK DYNAMISCH PRESSION DE OUVERTURE DYNAM PRESSIONE DI APERTURA DINAM | PSI (BAR) | 100.0-105.9 (6.9-7.3) | 108.8-114.6 (7.5-7.9) | 108.8-114.6 (7.5-7.9) | 108.8-114.6 (7.5-7.9) |
| CLOSING PRESSURE STATIC SCHLIESSDRUCK STATISCHE PRESSION DE FERMETURE STATIQUE PRESSIONE DI CHIUSURA STATICO | PSI (BAR) | | ≥ 72 | ≥ 72 | ≥ 72 |

- NOTE:
 ① THE COMPRESSOR GOVERNOR CUT OUT PRESSURE SHALL COMPLY WITH PETERBILT SPEC MS-0800-006.
 ② SAFETY VALVE 2.6/3.3
 OPENING PRESSURE: 185 ±15 psi (12.8 ±1 bar).
 ③ MOUNTING HEIGHT.
 ④ LABEL INCLUDES THE FOLLOWING INFORMATION: PART NAME, PART NUMBER, DATE OF PRODUCTION AND BAR CODE.

TECHNICAL DATA: / TECHNISCHE DATEN: / CARACTERISTIQUES TECHNIQUES: / CARATTERISTICHE TECNICHE:

THERMAL RANGE OF APPLICATION: Continuous application: -40° ... +149°F (-40° ... +65°C)
GAMME D'APPLICATION THERMIQUE: max 10% of vehicle run-time up to +80°C (reduced drying performance)
MEDIUM: COMPRESSED AIR
MEDIUM: DRUCKLUFT
FLUIDE: AIR COMPRIME
FLUIDO: ARIA COMPRESSA
WORKING PRESSURE: 145 psi Max (10 bar)
BETRIEBSDRUCK: 145 psi Max (10 bar)
PRESSION DE SERVICE: 145 psi Max (10 bar)
PRESSIONE D'ESERCIZIO: 145 psi Max (10 bar)
SAFETY VALVE OPENING PRESSURE: 185 ±15 psi (12.8 ±1 bar)
SICHERHEITSVENTIL OEFFNUNGSDRUCK: 185 ±15 psi (12.8 ±1 bar)
SOUPAPE DE SECURITE PRESSION D'OUVERTURE: 185 ±15 psi (12.8 ±1 bar)
VALVOLA DI SICUREZZA PRESSIONE D'APERTURA: 185 ±15 psi (12.8 ±1 bar)

OUT OUT PRESSURE: 125-135 psi (8.61-9.30 bar)
ABSCHALTDRUCK: 125-135 psi (8.61-9.30 bar)
PRESSION DE DECL: 125-135 psi (8.61-9.30 bar)
PRESSIONE D'APERT: 125-135 psi (8.61-9.30 bar)
OUT IN PRESSURE: 100-120 psi (6.89-8.27 bar)
EINSCHALTDRUCK: 100-120 psi (6.89-8.27 bar)
PRESSION D'ENLENCHEMENT: 100-120 psi (6.89-8.27 bar)
PRESSIONE DI INNESTO: 100-120 psi (6.89-8.27 bar)

HEATING: 100 W WITHOUT CURRENT
HEIZUNG: 100 W STROMLOS
CHAUFFAGE: 100 W SANS COURANT
RISCALDAMENTO: 100 W SENZA CORRENTE

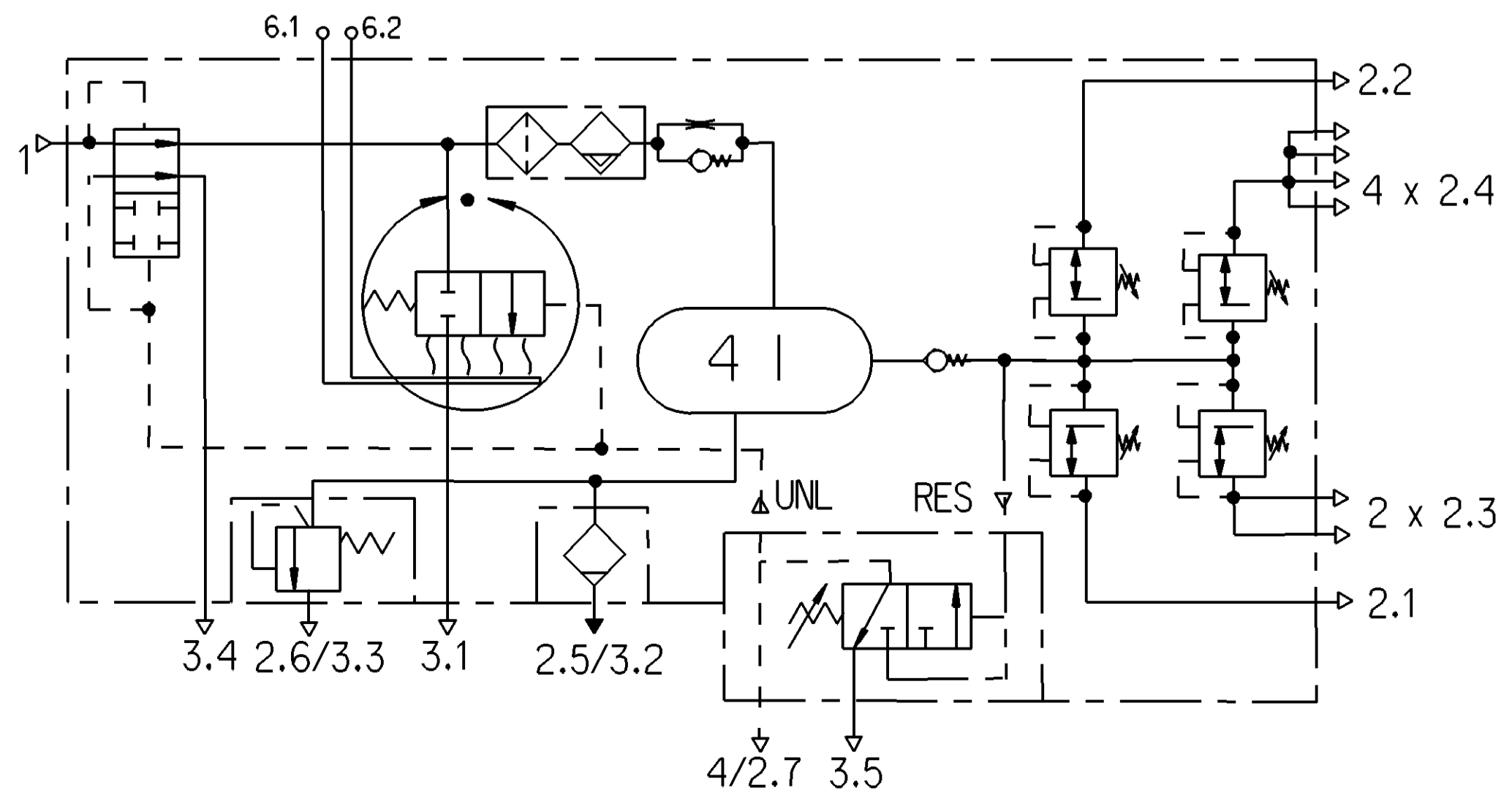
OUT-IN TEMPERATURE: 45° ± 10°F (7° ± 6°C)
EINSCHALT TEMPERATUR: 45° ± 10°F (7° ± 6°C)
TEMPERATURE DE FERMETURE: 45° ± 10°F (7° ± 6°C)
TEMPERATURA DI CHIUSURA: 45° ± 10°F (7° ± 6°C)

OUT-OFF TEMPERATURE: 85° ± 5°F (29.5 ± 3°C)
AUSCHALT-TEMPERATUR: 85° ± 5°F (29.5 ± 3°C)
TEMPERATURE DE MISE: 85° ± 5°F (29.5 ± 3°C)
TEMPERATURA DI APERTURA: 85° ± 5°F (29.5 ± 3°C)

BATTERY VOLTAGE: 12 V DC
BATTERIESPANNUNG: 12 V DC
TENSION DE BATTERIE: 12 V DC
TENSIONE DI BATTERIA: 12 V DC

POWER: 95.5 W
LEISTUNG: 95.5 W
PUISSANCE: 95.5 W
POTENZA: 95.5 W

APPLIED ACROSS THE HEATER CONTACTS:
DIREKT AN DEN HEIZUNGSKONTAKTEN:
APPLIQUEE SUR LES CONTACTS DE CHAUFFAGE:
APPLICATA SULLE CONTATTI DI RISCALDAMENTO



THIRD ANGLE PROJECTION

| General Specification | ISO 8015, ISO 1101, ISO 14405 | Copyright | © 2023 |
|---|-------------------------------|-----------|---------------|
| Further Technical Data: Product Specification | Doc. Code: 020 | Sheet: 1 | To 15 |
| General Tolerances: ISO 2011 | 2023-08-02 | Blazynski | |
| Range of nominal dimensions in mm | 10.5 | 1:2 | 432 475 302 0 |
| Class | 10.5 | 1:2 | 005 ML 1/1 |
| Material | Al | 1:2 | 005 ML 1/1 |
| Control | 10.5 | 1:2 | 005 ML 1/1 |
| Trapped Holes acc. | 10.5 | 1:2 | 005 ML 1/1 |
| Tolerance Class: Special Dimensioned | 10.5 | 1:2 | 005 ML 1/1 |