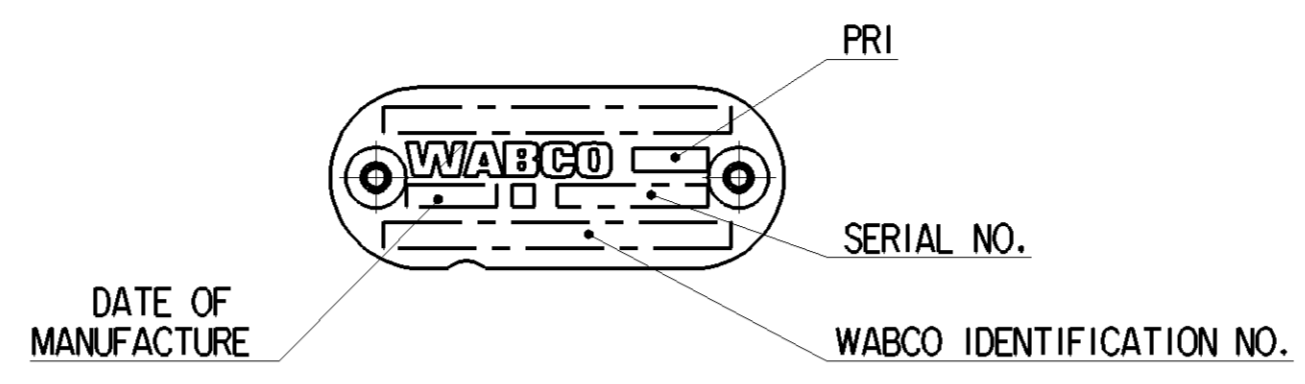
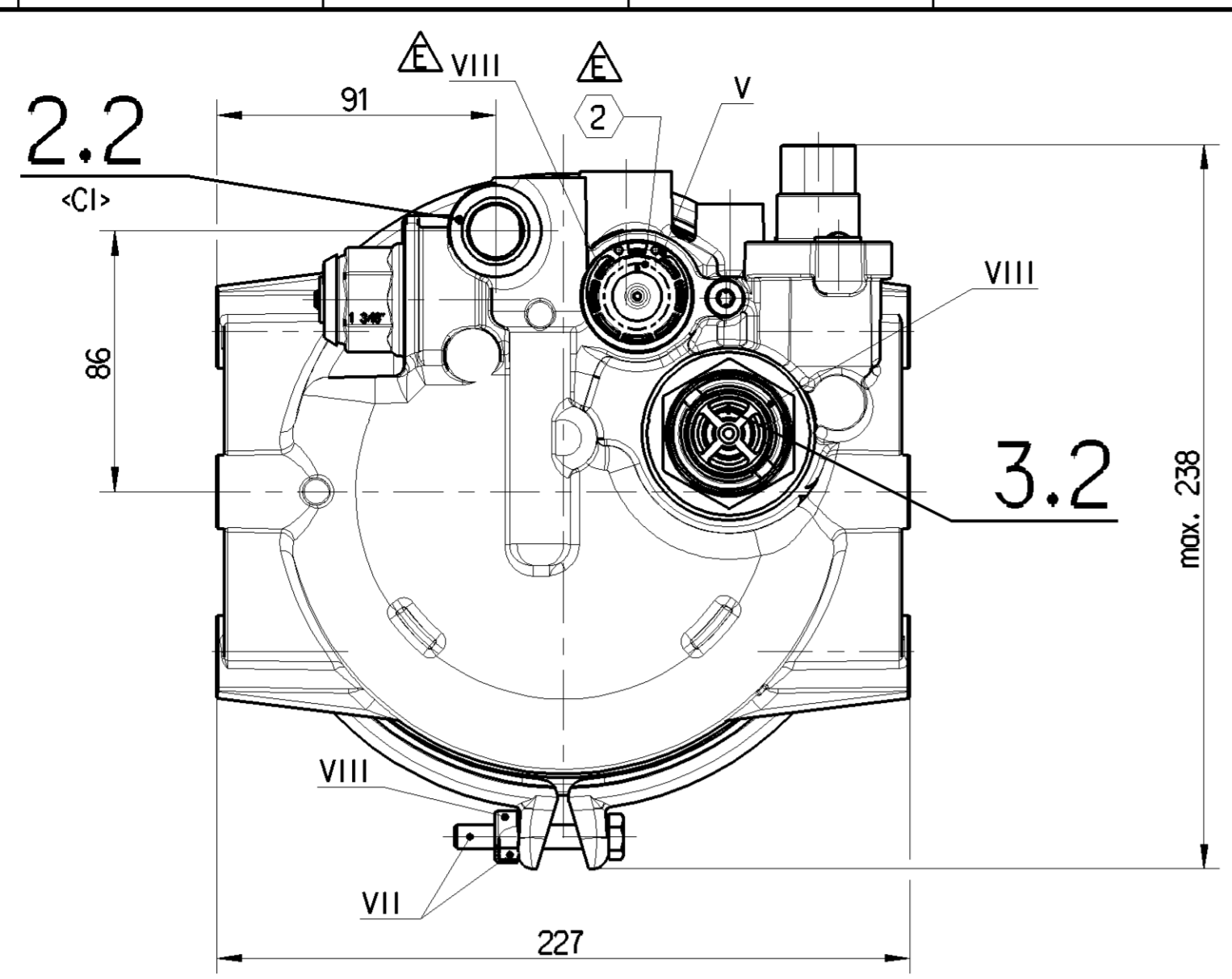
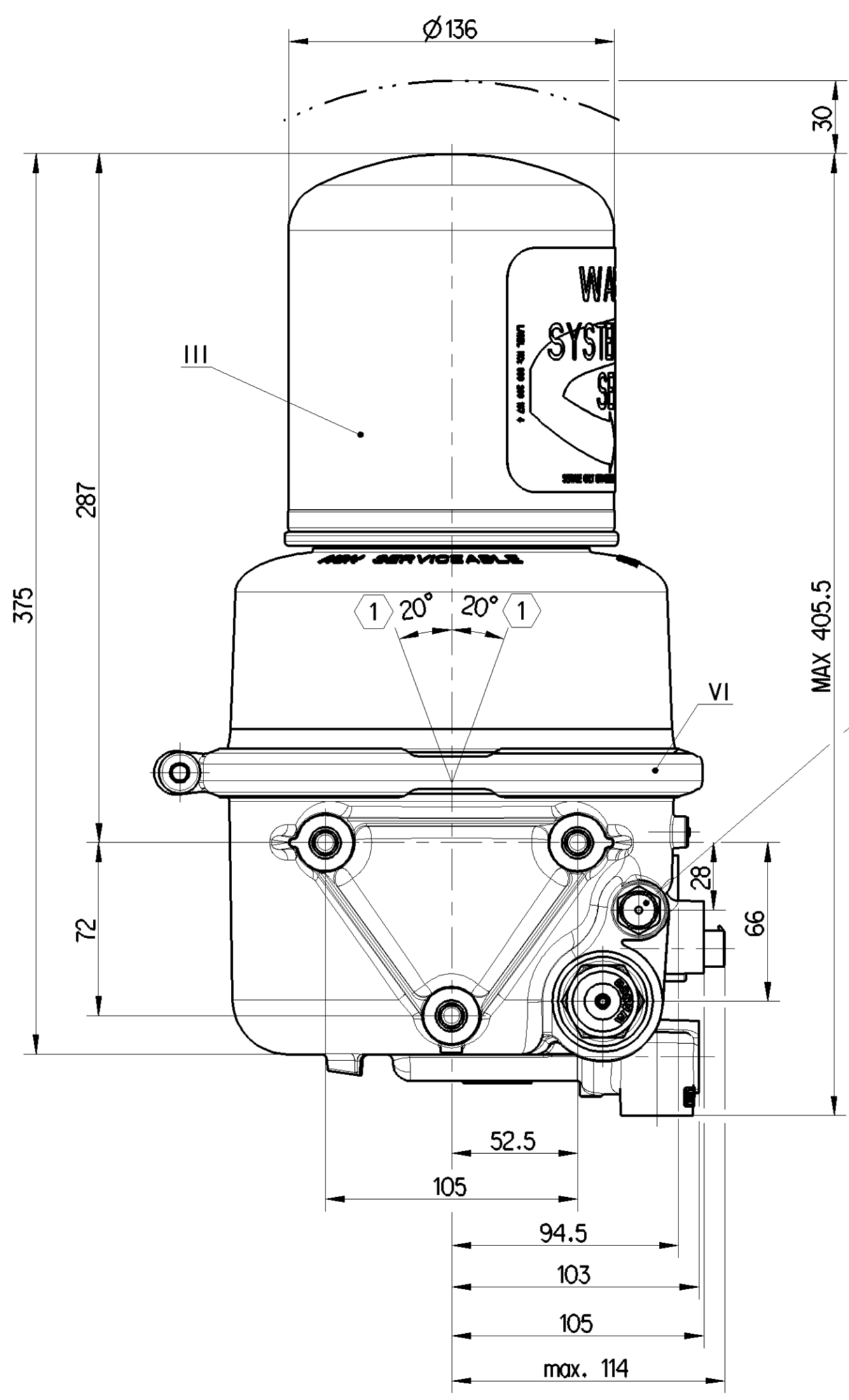
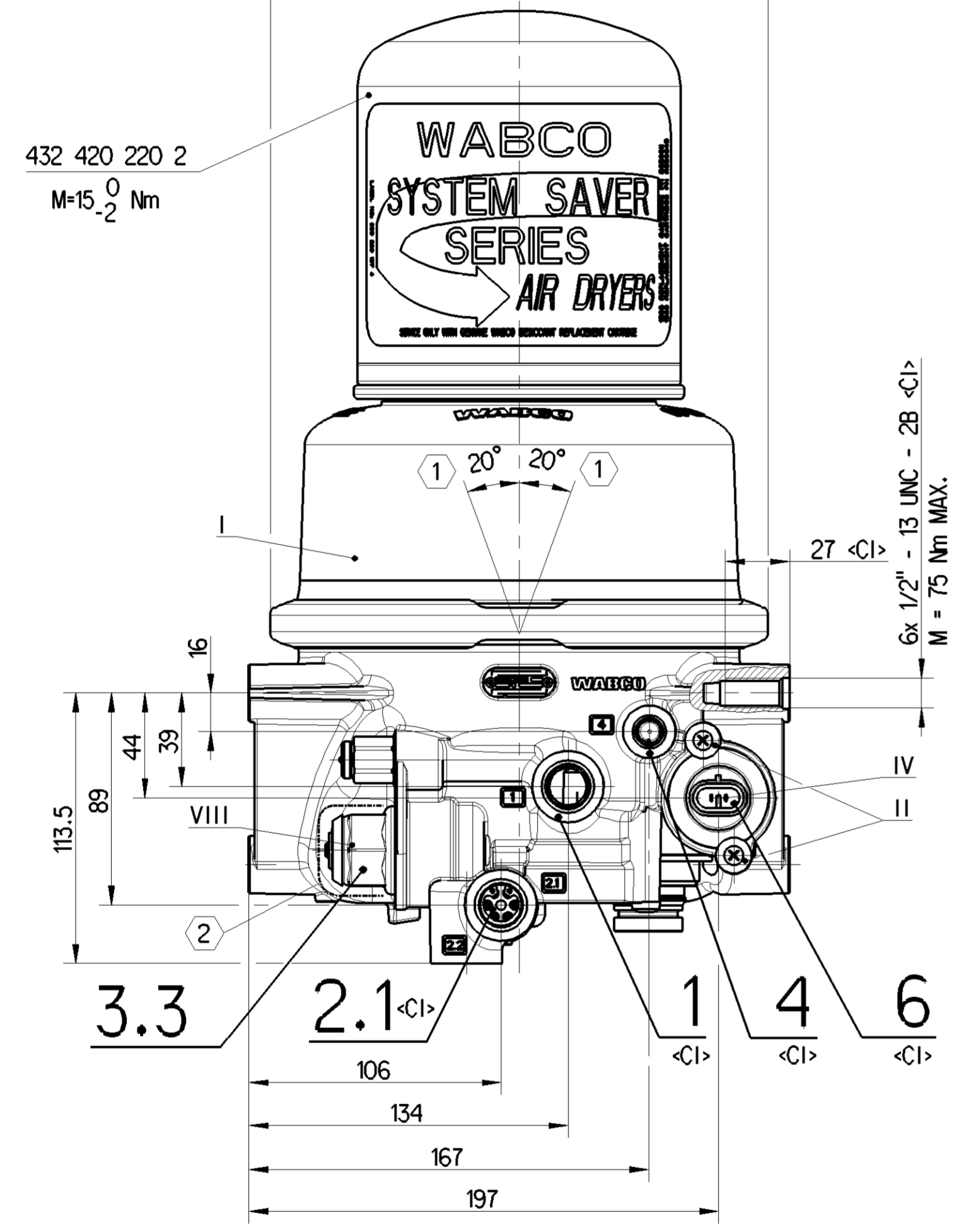


SURFACE PROTECTION OBERFLÄCHENSCHUTZ PROTECTION DE SURFACE PROTEZIONE SUPERFICIALE		
I	ALUMINIUM ALLOY	CHROMATED
II	STEEL	PASSIVATED
III	STEEL	VARNISHED
IV	BRASS	SILVER COATED
V	STEEL	PHOSPHATED
VI	STEEL	PAINTED
VII	STEEL	PASSIVATED
VIII	PLASTIC	-



PORT ANSCHLUSS ORIFICE ORIFIZIO	FUNCTION FUNCTION FUNZIONE	THREAD GEWINDE FILETTAGE FILETTATURA	TORQUE FOR CONNECTIONS: ANZUGSMOMENT FUER EINSCHRAUBSTUTZEN: COUPLE DE SERRAGE DES RACCORDS: COPPIA DI SERRAGGIO DEI RACCORDI:
1	SUPPLY ENERGIEZUFLOSS ALIMENTAZIONE	1/2"-14 NPTF	MAX. 50 Nm
2;1;22	DELIVERY ENERGIEABFLUSS UTILISATION MANDATA	1/2"-14 NPTF	MAX. 50 Nm
3;1;32 33	EXHAUST FOR COMPRESSED AIR ENTLÜFTUNG FUER DRUCKLUFT ECHAPPEMENT POUR AIR COMPRI SCARICO PER ARIA COMPRESSA	-	-
4	CONTROL PORT TO THE COMPRESSOR STEUERANSCHLUSS ZUM KOMPRESSOR ORIFICE DE COMMANDE AU COMPRESSEUR ORIFIZIO DI COMANDO AL COMPRESSORE	1/4"-18 NPTF	MAX. 30 Nm
6	ELECTRICAL CONTROL: ELEKTRISCHER STEUERANSCHLUSS: COMMANDE ELECTRIQUE: COMANDO ELETTRICO:	280 METRI-PACK NR. 1202 0599	-

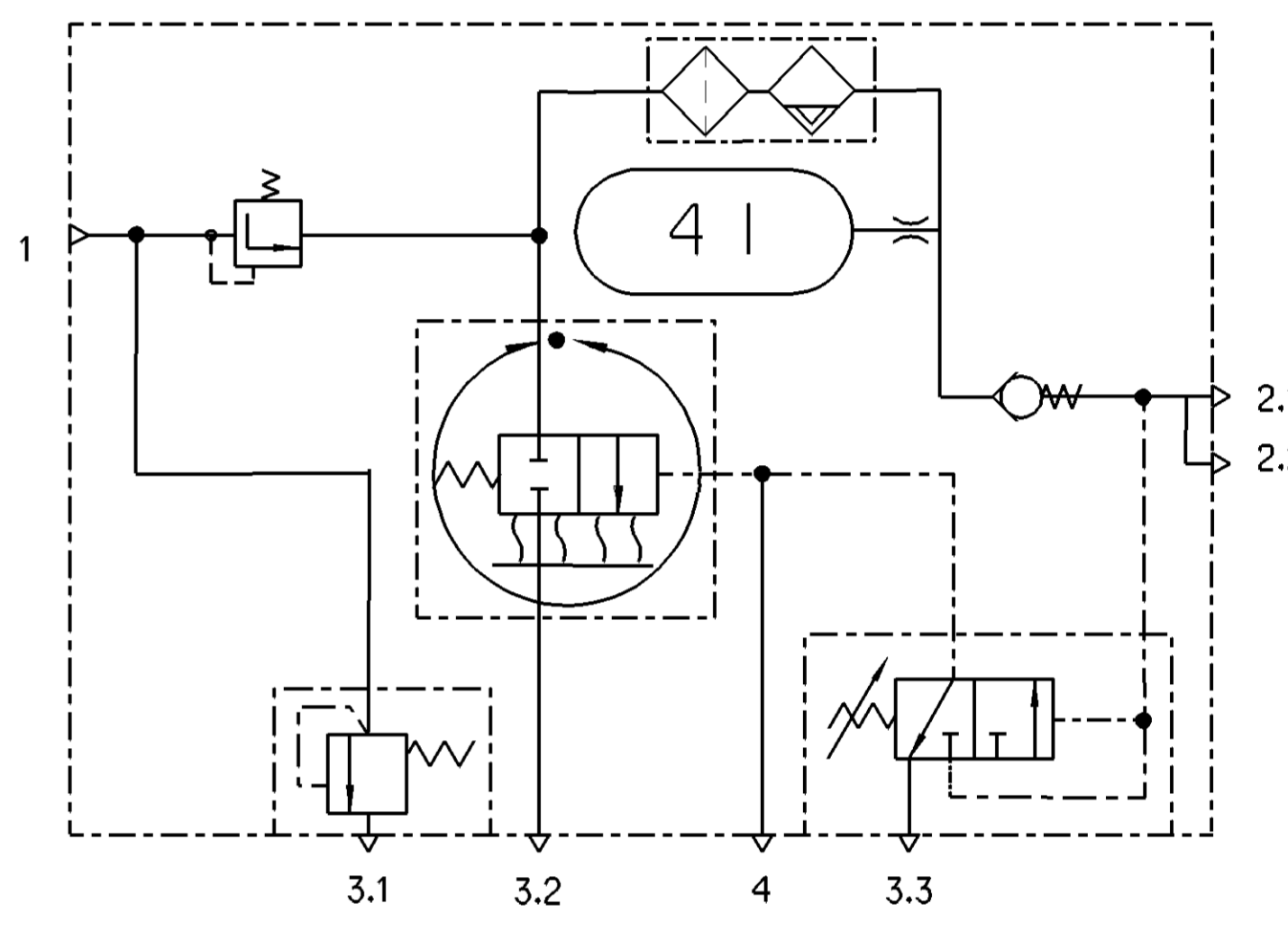


MOUNTING HEIGHT
MONTAGEHOHE
HAUTEUR DE MONTAGE
POSIZIONE DI MONTAGGIO

SAFETY VALVE
SICHERHEITSVENTIL
SOUPAPE DE SECURITE
VALVOLA DI SICUREZZA

3.1

OPENING PRESSURE:
OEFFNUNGSDRUCK: 185 ± 15 psi
PRESSION D'OUVERTURE: (12.8 ± 1 bar)
PRESSIONE D'APERTURA:



- ① INSTALLATION POSITION AS DRAWN
EINBAULAGE WIE GEZEICHNET
POSITION D'INSTALLATION SUIVANT DESSIN
POSIZIONE DI MONTAGGIO COME DISEGNATO
- ② COVER WHEN PAINTING ON THE VEHICLE
BEI LACKIERUNG IM FAHRZEUG ABDECKEN

<Cl> CUSTOMER INTERFACE 7

TECHNICAL DATA: / TECHNISCHE DATEN: / CARACTERISTIQUES TECHNIQUES: / CARATTERISTICHE TECNICHE:

THERMAL RANGE OF APPLICATION:
TERMISCHER ANWENDUNGSBEREICH: -40° ... +176°F
GAMME D'APPLICATION THERMIQUE: (-40° ... +80°C)
CAMPO DI APPLICAZIONE TERMICA:

MEDIUM: COMPRESSED AIR
MEDIUM: DRUCKLUFT
FLUIDE: AIR COMPRI
FLUIDO: ARIA COMPRESSA

WORKING PRESSURE:
BETRIEBSDRUCK: 145 psi Max
PRESSION DE SERVICE: (10 bar)
PRESSIONE D'ESERCIZIO:

CUT OUT PRESSURE
ABSCHALTDRUCK 130 ± 5 psi
PRESSION DE DECL 9.0 ± 0.35 bar
PRESSIONE D'APERT

OPERATING RANGE
ARBEITSBEREICH 18 ± 7 psi
GAMME DE FONCTIONNEMENT 1.25 ± 0.5 bar
GAMMA DI FUNZIONAMENTO

HEATING:
HEIZUNG:
CHAUFFAGE:
RISCALDAMENTO:

CUT-IN TEMPERATURE
EINSCHALT TEMPERATUR 45° ± 10°F
TEMPERATURE DE FERMETURE (7° ± 6°C)
TEMPERATURA DI CHIUSURA

CUT-OFF TEMPERATURE
AUSSCHALT-TEMPERATUR 85° ± 5°F
TEMPERATURE DE MISE (29.5° ± 3°C)
TEMPERATURA DI APERTURA

BATTERY VOLTAGE:
BATTERIESPANNUNG: 12.2 V DC
TENSION DE BATTERIE:
TENSIONE DE BATTERIA:

NOMINAL POWER:
NENNLEISTUNG: 100 W
PUISSANCE NOMINALE:
POTENZA NOMINALE:

POWER WITH 12V DC:
LEISTUNG BEI 12V DC: 95 W
PUISSANCE AVEC 12V DC:
POTENZA CON 12V DC:

General Specification: ISO 8015, JED-334-1, Size ISO 14405 LP		Copyright WABCO®	
Further Technical Data: Product Specification		Date: 2022-04-15	Signature: Cwikalski
Doc. Code: 035	Sheets: 1 To 6	Checked: Kostzewo	Drawn: Kostzewo
General Tolerances: JED-261		Dimensions in mm	
Class	1) ≤ 50 > 50 > 180 > 180 > 400	Mass	Scale
Fine	±0.5 ±1 ±1.5 ±2	6.203	1:2
Medium	±1 ±2 ±3 ±4 ±5	kg	432 480 340 0
Coarse	±2 ±3.5 ±5 ±6.5	Size	CAD System
Tapped Holes acc.		Material No.	Date of first issue: 2018-05-08
1) Tolerance Class Applied: Crossmarked		Doc. Code: 035	Language: ML
A 1 CREO		Revision: 2 x E	Sheet: 1/1
		EDC-No.: 505296	Techn. Resp.: 5057
		Replacement for:	

Non è permesso copiare o riprodurre questo documento, né utilizzare il contenuto o i marchi commerciali senza permesso scritto dalla WABCO. È vietata espressamente la ristampa o l'uso non autorizzato. Toute réimpression ou utilisation non autorisée sans la permission écrite de la WABCO est formellement interdite. Toute réimpression ou utilisation non autorisée sans la permission écrite de la WABCO est formellement interdite. All rights reserved. No part of this document may be reproduced, stored in a retrieval system, or transmitted in any form or by any means, electronic, mechanical, photocopying, recording, or by any information storage and retrieval system, without the prior written permission of WABCO.