

SURFACE PROTECTION
 OBERFLAECHENSCHUTZ
 PROTECTION DE SURFACE
 PROTEZIONE SUPERFICIA

I : JED-649-0
 II : JED-256-0
 III : JED-471-0

WABCO

Letzter Wechsel / date of change

Jahr/Year	13	14	15	16	17	18	19	20	21	22	23	24
Monat/Month	01	02	03	04	05	06	07	08	09	10	11	12

432 901 246 2
 M 41 x 1,5
 max. 14 bar

ERIC

Made in Germany

Return to WABCO

WABCO

WABCO

Air System Protector

1. WATER FILTER
 2. OIL & AEROSOL FILTER

Clean Air

2 Years System Protection*

Instructions

DE: 1. Achtung: Vor Ausbau Lufttrockner entlöten, 2. Dichtung und Gewindestapfen vor Montage einfetten, 3. Behälter von Hand fest aufschrauben (max. 15 Nm), *2 Jahre Lebensdauer unter Normalbedingungen

EN: 1. Important: Ventilate air dryer before removing, 2. Grease seal and threaded spigot before installation, 3. Screw the container on firmly by hand (max. 15 Nm), *2 year service life under normal conditions

FR: 1. Attention: purger le dessiccateur avant le démontage, 2. Graisser le joint et le filetage avant montage, 3. Visser fortement la cartouche à la main (15 Nm max.), *Durée de vie: 2 ans dans les conditions normales d'utilisation

ES: 1. Atención: Purgar el secador antes de realizar el desmontaje, 2. Engrasar junta y vástago roscado antes de proceder a su instalación, 3. Roscar firmemente el cartucho a mano (max. 15 Nm), *2 años de duración bajo condiciones normales de servicio

PT: 1. Importante: Antes da desmontagem eliminar o ar comprimido do secador de ar, 2. Engraxar a superfície de vedação e a rosca de fixação, 3. Parafusar manualmente a nova peça (torque max. 15Nm), *2 anos de vida útil em condições normais

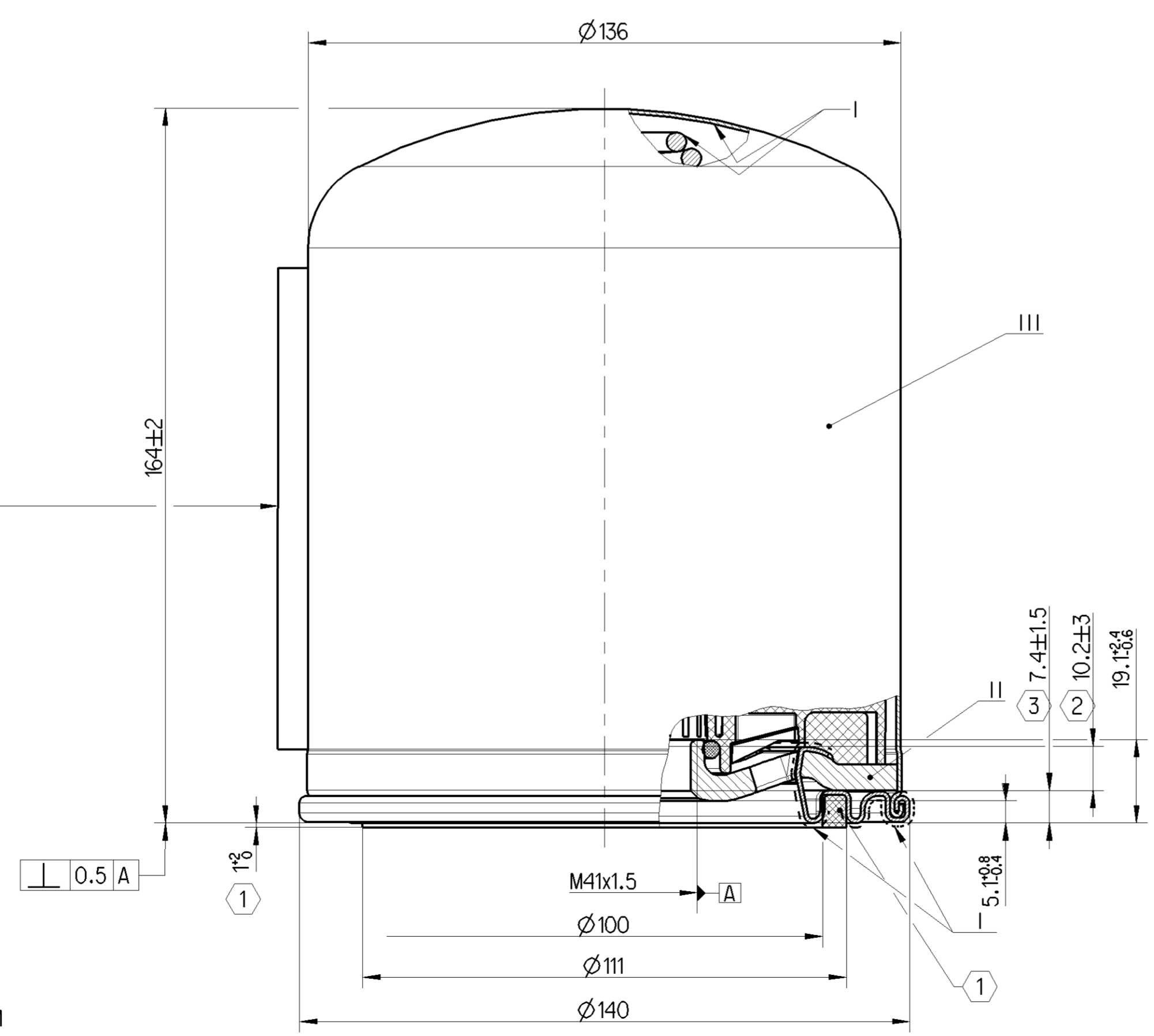
PVC: 1. Важно: Перед заменой осушителя провентилируйте систему, 2. Смажьте резбу и уплотнение перед установкой, 3. Усиленно руки (не более 15 Нм) закрутите корпус картриджа осушителя воздуха, *Замена 1 раз в 2 года при обычных условиях эксплуатации

DATE OF MANUFACTURE
 HERSTELLDATUM
 DATE DE FABRICATION
 DATA DI FABBRICAZIONE

YEAR
 JAGER
 ANNEE
 ANNO

MONTH
 MONAT
 MOIS
 MESE

LABELLING
 BESCHÜFTUNG
 ETIQUETAGE
 ETICHETTATURA



- ① DIMENSION APPLY IF THE SEAL IS IN CONTACT WITH THE GROOVE BOTTOM
 MASSE GELTEN BEI ANLIEGENDER DICHTUNG AM NUTGRUND
- ② MEASURED FROM TOP TO BOTTOM FULL THREAD TURN BY CONTOUR GRAPH
 GEMESSEN VOM OBEREN BIS UNTEREN VOLLEN GEWINDEGAN MIT KONTURGRAPH
- ③ MEASURED FROM BOTTOM FULL THREAD TURN TO FIRST RING RADIUS BY CONTOUR GRAPH
 GEMESSEN VOM UNTEREN VOLLEN GEWINDEGAN BIS ERSTEN RINGRADIUS MIT KONTURGRAPH

USAGE:
 This Outline Drawing was created by copying selected items
 from the Sectional Drawing
 2013-07-15

THERMAL RANGE OF APPLICATION:
 THERMISCHER ANWENDUNGSBEREICH: -40°C ... +80°C
 GAMME D'APPLICATION THERMIQUE:
 CAMPO DI APPLICAZIONE TERMICA:

WORKING PRESSURE:
 BETRIEBSDRUCK: $P_e \text{ max.} = 14 \text{ bar}$
 PRESSION DE SERVICE:
 PRESSIONE D'ESERCIZIO:

SEALING RING (OUTSIDE):
 DICHTRING (AUSSEN): NBR 70±5 SHORE A
 JOINT D'ETANCHEITE (EXTERIEUR):
 ANELLO DI TENUTA (ESTERNO):

O-RING:
 O-RING : NBR 65±5 SHORE A
 JOINT TORQUE
 O-RING:

PERMISSIBLE LEAKAGE: MAX. 6 cm³/min AT 10 bar TEST PRESSURE
 ZULAESSIGE LECKAGE: MAX. 6 cm³/min BEI 10 bar PRUEFDRUCK
 FUIITE AMISE: MAX. 6 cm³/MIN A 10 bar PRESSION D'ESSAI
 FUGA AMNESSA: MAX. 6 cm³/MIN AL 10 bar PRESSIONE DI PROVA

TEXT: BLUE
 TEXT: PANTONE 293 BLAU
 TEXTE: BLEU
 TESTO: BLU

BACKGROUND COLOR:
 UNTERGRUND: RAL 9006
 COULEUR DU FOND: WEISSALUMINIUM LACKIERT
 COLORE DEL FONDO: BIANCALUMINIUM LACQUATO
 BIANCOALUMINIUM COLORARE

General Specification: JED-334-1 - Size ISO 14405 LP				Copyright WABCO®	
Further Technical Data: Product Specification				Date	Signature
Doc. Code: 035				2016-06-06	Marek
Sheet: 1 To 3				Checked	Pendzich
General Tolerances JED-261				Expert	
Range of Nominal Dimensions (± mm)				Friedrich	
Class	11	≤ 50	> 50 < 180	> 180 < 400	> 400
Fine	X	0,5	1,0	1,5	2,0
Medium		1,0	2,0	3,0	4,0
Coarse		2,0	3,5	5,0	6,5
Tapped Holes acc.				±3°	
1) Tolerance Class Applied Crossmarked					
Mass		Scale		Material No.	
2.3 kg		1:1		432 901 246 2	
Size		CAD System		Date of first issue: 2015-07-15	
A 1		CREO		Doc. Code Language Sheet	
EON-No.		Revision		Tech. Resp.	
171238		2 x B		5059	
				Replacement for	

Non e permesso copiare o riprodurre questo documento, re utilizzare o comunicare a terzi senza permesso scritto dalla WABCO. Tutti i diritti sono riservati. Toute réimpression ou utilisation sans autorisation est interdite. Toute réimpression ou utilisation sans autorisation est interdite. All rights reserved. This document is the property of WABCO. Copright of this document and giving it to others and the use or communication of the contents thereof are forbidden without express, written permission from WABCO. Toute réimpression ou utilisation sans autorisation est interdite. Toute réimpression ou utilisation sans autorisation est interdite. All rights reserved. This document is the property of WABCO.