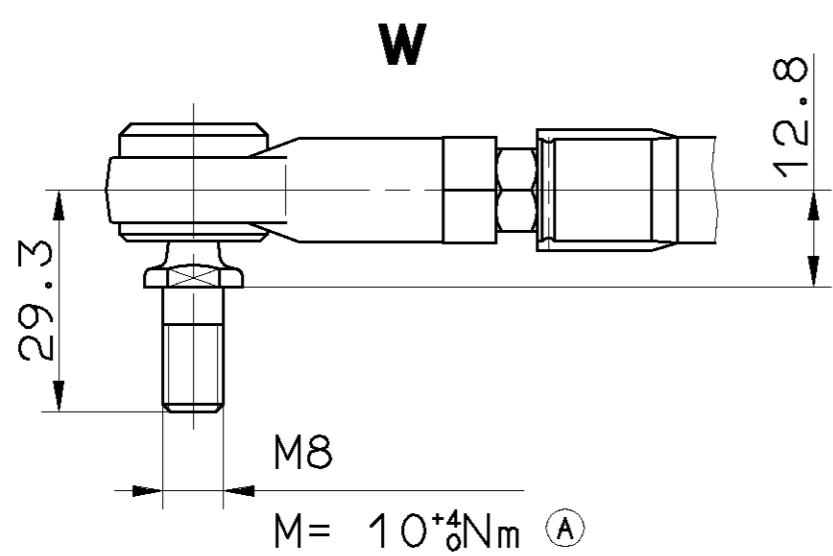
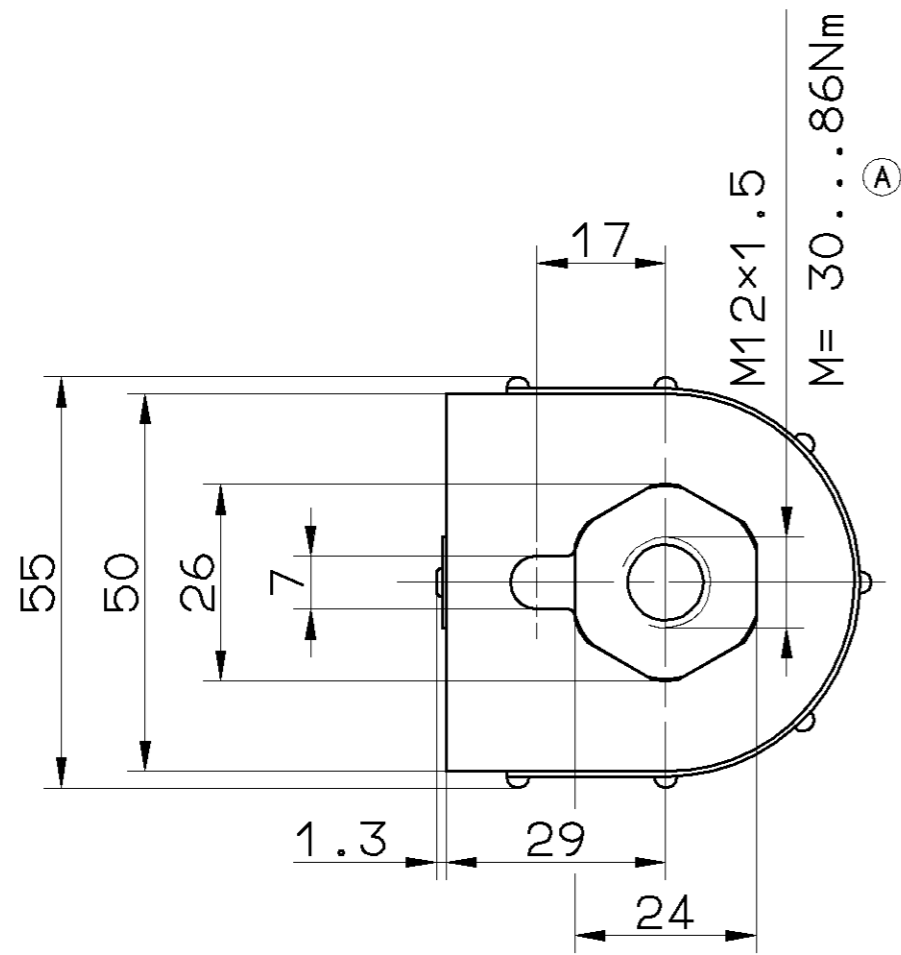
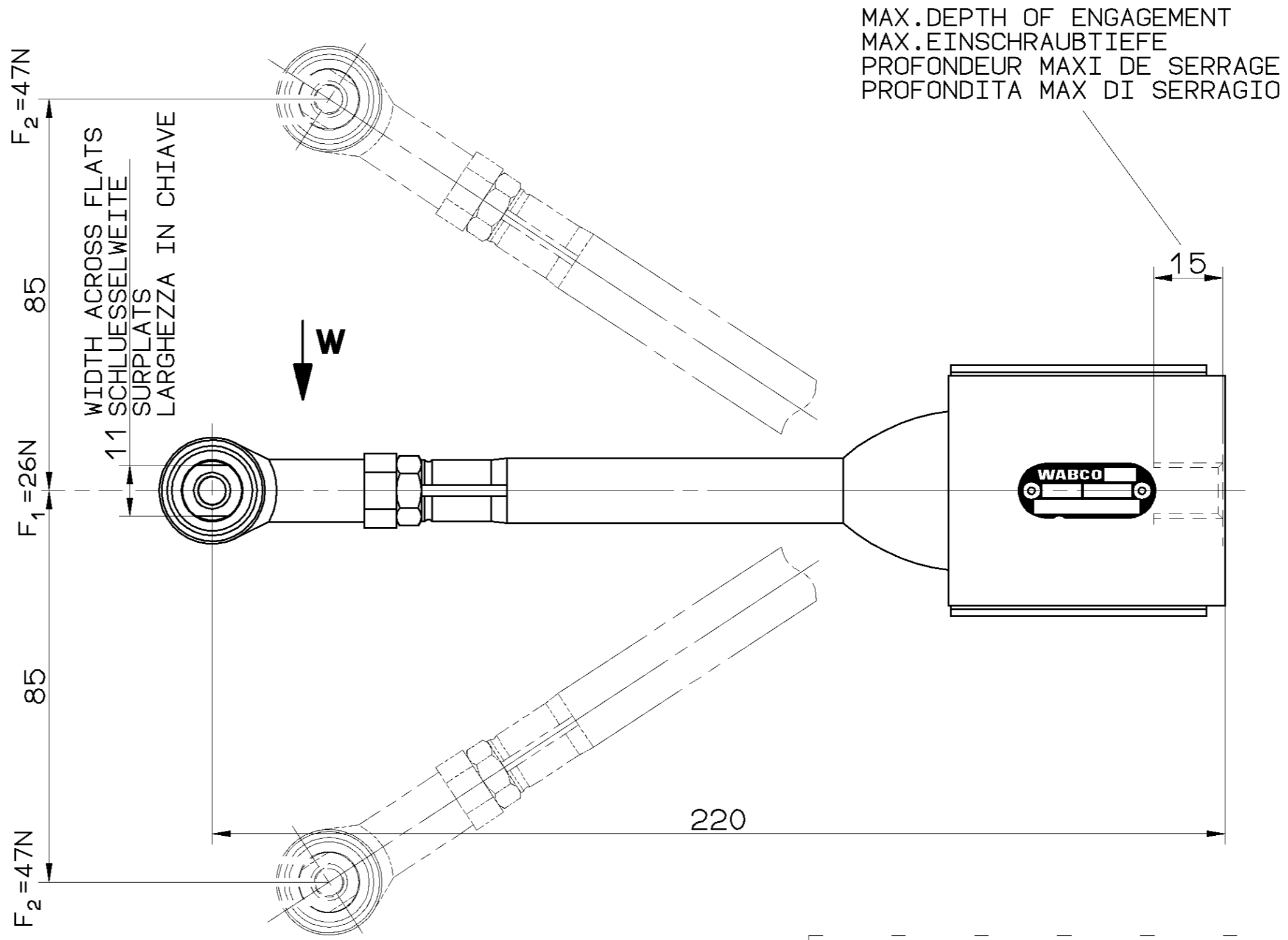


NON È PERMESSO CONSERVARE A TERZI O RIPRODURRE QUESTO DOCUMENTO. NE UTILIZZARE IL CONTENUTO O RES-  
 ARSIO E COMMERCIALI. IL RESERVATO DEL DANNO SUBITO. È FATTA RISERVA SU TUTTI I DIRITTI DERIVANTI DA  
 BREVETTI O MODELLI.  
 COPIING OF THIS DOCUMENT AND GIVING IT TO OTHERS AND THE USE OF COMMUNICATION OF THE CONTENTS THEREOF,  
 ABUSE AND RESULT IN A LIABILITY TO THE PAYMENT OF DAMAGES. ALL RIGHTS ARE RESERVED IN THE EVENT OF THE  
 GRANT OF PATENT OR REGISTRATION OF A UTILITY MODEL OR DESIGN. THIS DOCUMENT IS THE SUBJECT OF COPYRIGHT.  
 TOUTE COMMUNICATION OU REPRODUCTION DE CE DOCUMENT, TOUTE EXPLOITATION OU COMMUNICATION DE SON CONTE-  
 NUT ET ENCORE SANS AUCUN AUTRE ALIÉNEMENT DE DIRITS ET INTÉRÊTS À TOUTS DROITS DE PROPRIÉTÉ  
 INDUSTRIELLE RÉSERVÉS, NOTAMMENT EN MATIÈRE DE BREVETS ET DE MODÈLES.  
 NUTZUNG SOWIE VERWEILFÄHIGUNG DIESER LITERATUR, VERBREITUNG UND MITTEILUNG DES INHALTS NICHT  
 MISSBRÄUCH DAR LAD VERPFLICHTEN ZU SCHADENSERZATZ. ALLE RECHTE FÜR DEN FALL DER PATENTIERUNG ODER  
 GEBRAUCHSMUSTER-EINTRAGUNG VORBEHALTEN.



! ATTENTION SPRING LOAD  
 ACHTUNG FEDERVORSPANNUNG  
 ATTENTION RESSORT COMPRESSE  
 ATTENZIONE MOLLA COMPRESSA



GENERAL SPECIFICATION: JED-334		CADAM-DRAWING COPYRIGHT		<b>WABCO</b>	
FURTHER TECHNICAL DATA:		DATE: 96-09-19		SIGNATURE: MAURER	
DOC. CODE: SHEET: TO:		DRAWN: 96-09-19		CHECKED: FAUCK	
GENERAL TOLERANCES		STANDARDIZATION:		PRODUCT IDENTIFICATION NO. 433 302 029 0	
CLASS 1)	RANGE OF NOMINAL DIMENSIONS ( ± mm )				± 3°
	≤50	>50 ≤180	>180 ≤400	>400	
FINE	0,5	1,0	1,5	2,0	DOC. CODE SHEET 605 1/1
MEDIUM	1,0	2,0	3,0	4,0	
COARSE	2,0	3,5	5,0	6,5	REPLACEMENT FOR 884 010 387 0 OF 96-06-11
TAPPED HOLES ACC. ISO 4039 / JED-182		061497	2xA	96-11-14	SHAPE CODE
1) TOLERANCE CLASS APPLIED CROSSMARKED		DCN-NO.	REV.	DATE	EXPERT CODE 742

1809/012/204.93 605/603