

Non e permesso consegnare a terzi o riprodurre questo documento, ne utilizzare il contenuto o renderlo comunque noto a terzi senza autorizzazione esplicita. Ogni infrazione costituirà un evidente abuso e comporterà il risarcimento dei danni subiti. E' fatta riserva di tutti i diritti derivanti da brevetti o modelli.

Toute communication ou reproduction de ce document, toute exploitation ou communication de son contenu sont interdites, sauf autorisation expresse. Tout manquement a cette regle constitue un abus evident et expose son auteur au versement de dommages et interets. Tous droits de propriete industrielle reserves, notamment en matiere de brevets et de modesles.

Copying of this document and giving it to others and the use or communication of the contents thereof, are forbidden without express authority. Contravention of this restriction will constitute an evident abuse and result in a liability to the payment of damages. All rights are reserved in the event of the grant of patent or registration of a utility model or design. This document is the subject of copyright.

Weitergabe sowie Vervielfaeltigung dieser Unterlage, Verwertung und Mitteilung ihres Inhalts nicht gestattet, soweit nicht ausdruecklich zugestanden. Zuwiderhandlungen stellen einen offensichtlichen Missbrauch dar und verpflichten zu Schadenersatz. Alle Rechte fuer den Fall der Patenterteilung oder Gebrauchsmuster-Eintragung vorbehalten.

**SURFACE PROTECT.**  
**OBERFL. SCHUTZ**

**I JED-260**

**TORQUE:**  
**ANZUGSMOMENT:** max 45 Nm  
**COUPLE DE SERRAGE:**  
**COPPIA DI SERRAGGIO:**

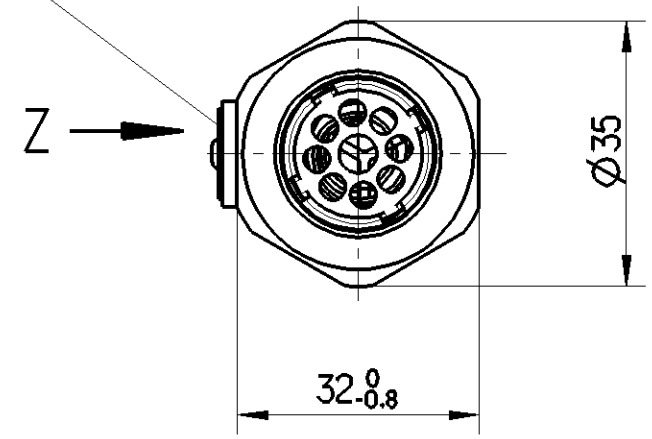
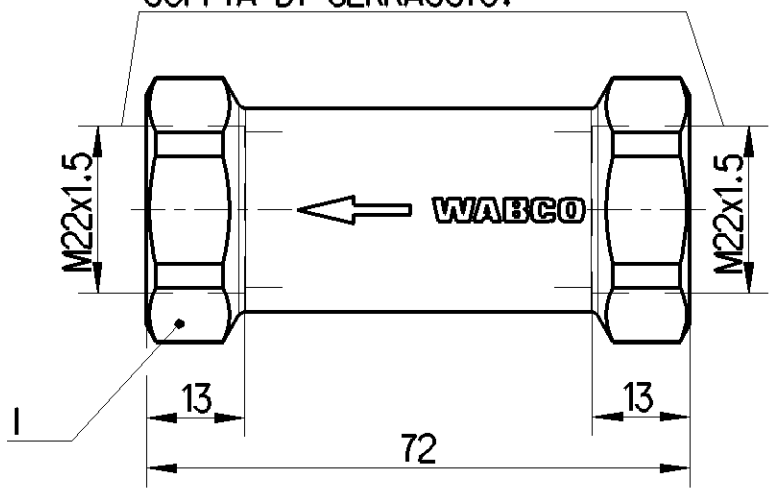
**IDENTIFICATION ACCORDING TO:**  
**KENNZEICHNUNG NACH:** JED-341  
**IDENTIFICATION SUIVANT:**  
**INDICAZIONE SECONDO:**

**WORKING PRESSURE:**  
**BETRIEBSDRUCK:** MAX. p<sub>e</sub> = 20 bar  
**PRESSION DE SERVICE:**  
**PRESSIONE D'ESERCIZIO:**

**THERMAL RANGE OF APPLICATION:**  
**THERMISCHER ANWENDUNGSBEREICH:** -40°C...+80°C  
**GAMME D'APPLICATION THERMIQUE:**  
**CAMPO DI APPLICAZIONE TERMICA:**

**MEDIUM: AIR**  
**MEDIUM: LUFT**  
**FLUIDE: AIR**  
**FLUIDO: ARIA**

**NOMINAL DIAMETER:**  
**NENNWEITE:** MAX. Ø8mm = 50mm<sup>2</sup>  
**DIAMETRE NOMINAL:**  
**DIAMETRO NOMINALE:**



**DEVICES MEET THE REQUIREMENTS DEFINED IN:**  
**GERATE ENTSPRECHEN DEN BESTIMMUNGEN NACH:** DIN 74280-22.1  
**APPAREILS SONT CONFORMES AUX PRESCRIPTIONS DE:**  
**APPARECCHI SONO CONFORMI ALLA NORMA:**

**CORROSION RESISTANCE:**  
**KORROSIONSSCHUTZ:** ISO 9227 >96h  
**PROTECTION CONTRELA CORROSION:**  
**ANTIRUGGINE:**

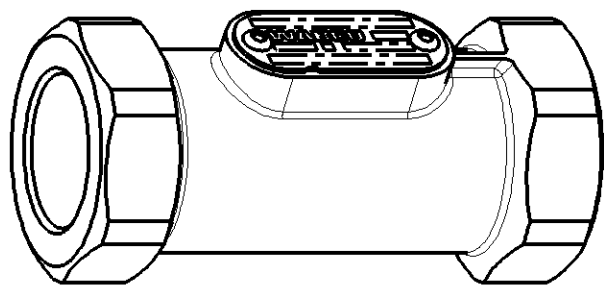
**CUSTOMERS NO.**  
**KUNDEN-NR.**  
**NO. CLIENT**  
**CLIENTE**

**COUNTRY OF ORIGIN**  
**(OPTIONAL) (K)**

**(K) (OPTIONAL)**

**DATE OF MANUFACTURE**  
**HERSTELLDATUM**  
**DATE DE FABRICATION**  
**DATA DI FABBRICAZIONE**

**WABCO IDENTIFICATION NUMBER**  
**WABCO IDENTIFICATIONS NUMMER**  
**WABCO NUMERO D'IDENTIFICATION**  
**WABCO NUMERO D'IDENTIFICAZIONE**



1:1

General Specification: JED-334-1, Size ISO 14405 LP					
Further Technical Data:					
Doc. Code:			Sheet: To		
General Tolerances JED-261					
Range of Nominal Dimensions ( ± mm)					
Class 1)	≤ 50	> 50 ≤ 180	> 180 ≤ 400	> 400	∇
Fine	0.5	1.0	1.5	2.0	±3°
Medium	X 1.0	2.0	3.0	4.0	
Coarse	2.0	3.5	5.0	6.5	
Tapped Holes acc. JED-152					
1) Tolerance Class Applied Crossmarked					

Copyright WABCO®		<b>WABCO</b>	
Date	Signature	<b>CHECK VALVE</b> <b>RUECKSCHLAGVENTIL</b> <b>VALVE DE RETENUE</b> <b>VALVOLA DI RETENUTA</b>	
2021-12-03	Rohinikumar T		
2021-12-03	Schul T		
Expert			
Schul homeed		Material No.	Date of first issue: 2009-09-10
Mass	Scale	434 014 000 0	Doc.Code
0.196 KG	1:1		005
Size	CAD System	ECN-No.	Revision
A 3	CREO	509315	2x K
		Techn. Resp.	Replacement for
		5140	1/1

100mm