

SURFACE PROTECT.  
OBERFL. SCHUTZ

I	JED-260
II	JED-256-1

IDENTIFICATION ACCORDING TO:  
KENNZEICHNUNG NACH: JED-341  
IDENTIFICATION SUIVANT:  
INDICAZIONE SECONDO:

WORKING PRESSURE:  
BETRIEBSDRUCK:  $P_e = \text{MAX. } 13 \text{ bar}$   
PRESSION DE SERVICE:  
PRESSIONE D'ESERCIZIO:

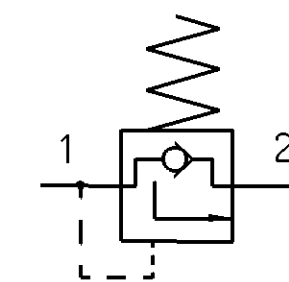
CHARGING PRESSURE:  
UEBERSTROEMDRUCK:  $P_e = 5.5_{-0.3}^0 \text{ bar } (P_2 = 0 \text{ bar})$   
PRESSION DE BARRAGE:  
PRESSIONE DI PRESA:

THERMAL RANGE OF APPLICATION:  
TERMISCHER ANWENDBEREICH:  $-40^\circ\text{C.} \dots +80^\circ\text{C}$   
GAMME D'APPLICATION THERMIQUE:  
CAMPO DI APPLICAZIONE TERMICA:

MEDIUM: AIR  
MEDIUM: LUFT  
FLUIDE: AIR  
FLUIDO: ARIA

NOMINAL DIAMETER:  
NENNWEITE:  $\varnothing 8 \text{ mm} = 50 \text{ mm}^2$   
DIAMETRE NOMINAL:  
DIAMETRO NOMINALE:

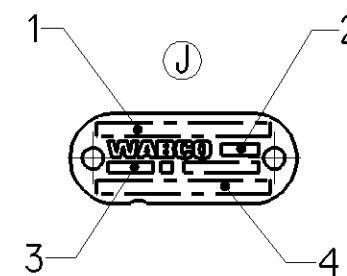
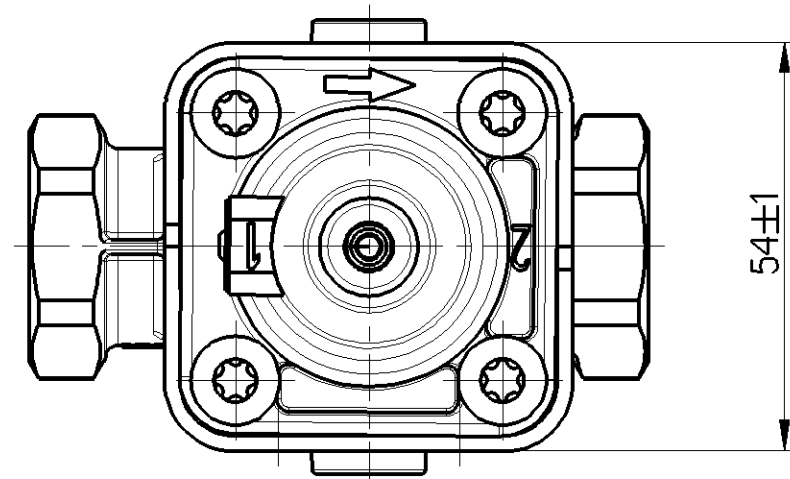
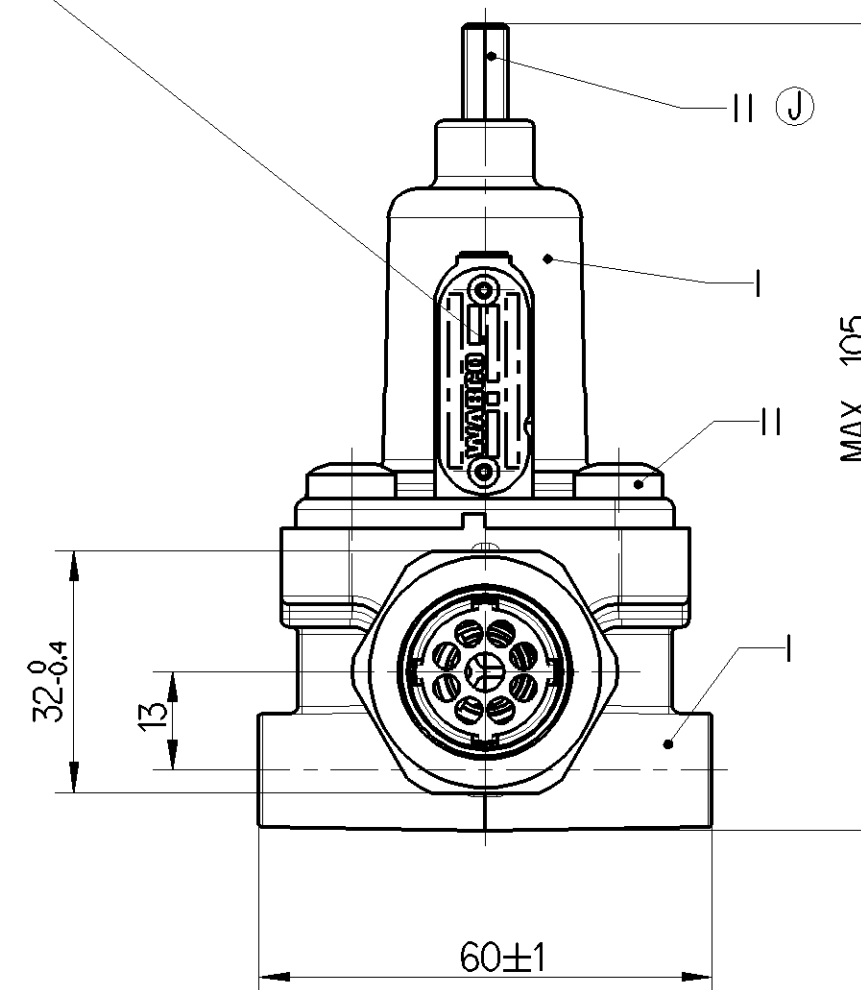
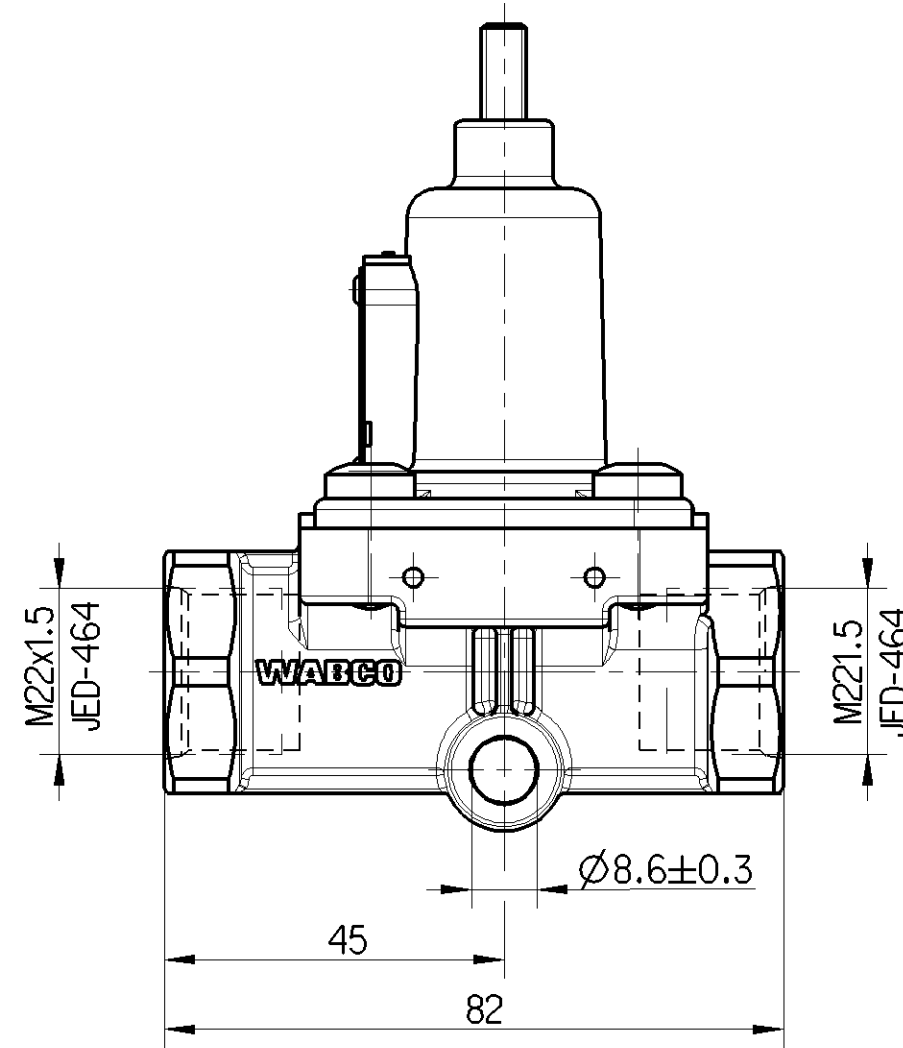
WITH RETURN FLOW  
MIT RUECKSTROEMUNG  
AVEC RETOUR  
CON RITORNO



1 SUPPLY  
ENERGIEZUFLUSS  
ALIMENTATION  
ALIMENTAZIONE

2 DELIVERY  
ENERGIEABFLUSS  
UTILISATION  
MANDATA

TORQUE FOR CONNECTIONS:  
ANZUGSMOMENT FUER EINSCHRAUBSTUTZEN:  $M22 \times 1.5: M_{\text{max.}} = 53 \text{ Nm}$   
COUPLE DE SERRAGE DES RACCORDS: JED-464  
COPPIA DI SARRAGGIO DEI RACCORDI:



- 1  $\text{J}$  CUSTOMER NO. OR COUNTRY OF ORIGIN  
KUNDEN-NR. KZ ODER WARENRSPRUNGSLAND
- 2 MANUFACTURING PLANT  
PRODUKTIONSSTAETTE JED-225
- 3 WEEK / YEAR OF MANUFACTURE  
FERTIGUNGSWOCHE / -JAHR
- 4 WABCO-DEVICE NUMBER  
WABCO-GERAETE NUMMER

General Specification: JED-334-0		Copyright WABCO®		<b>WABCO</b>		
Further Technical Data:		Date	Signature	CHARGING VALVE		
Doc. Code: Sheet: To		2015-07-16	Cwirkalski	UEBERSTROEMVENTIL		
General Tolerances JED-261		2015-07-24	Chamol	VALVE DE BARRAGE		
Class 1) Range of Nominal Dimensions ( ± mm)		Expert		VALVOLA DI PRESA D'ARIA		
Fine 0.5 1.0 1.5 2.0		Gontarz		Material No. 434 100 043 0		
Medium X 1.0 2.0 3.0 4.0		M22x1.5		Date of first issue: 2009-08-12		
Coarse 2.0 3.5 5.0 6.5		Scale 1:1		Doc. Code Language Sheet		
Tapped Holes acc.		Size CAD System		005 ML 1/1		
1) Tolerance Class Applied Crossmarked		A 2 CREO		ECN-No. Revision Techn. Resp.		
		165455 5 x J		Replacement for		

100mm