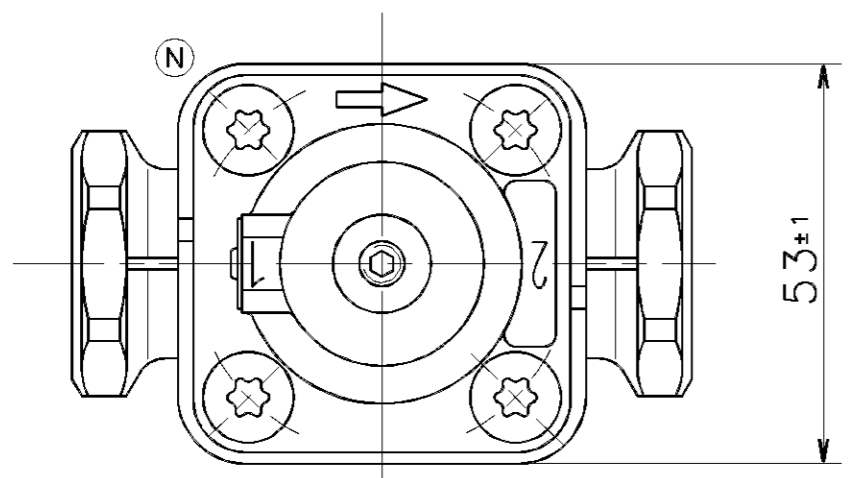
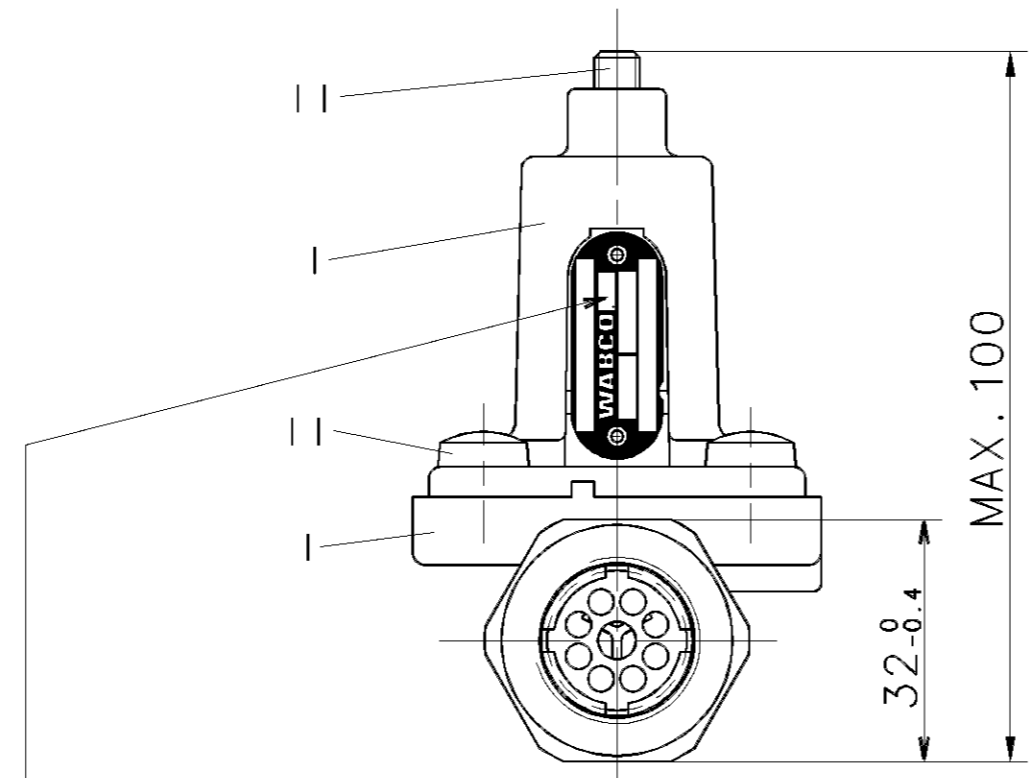
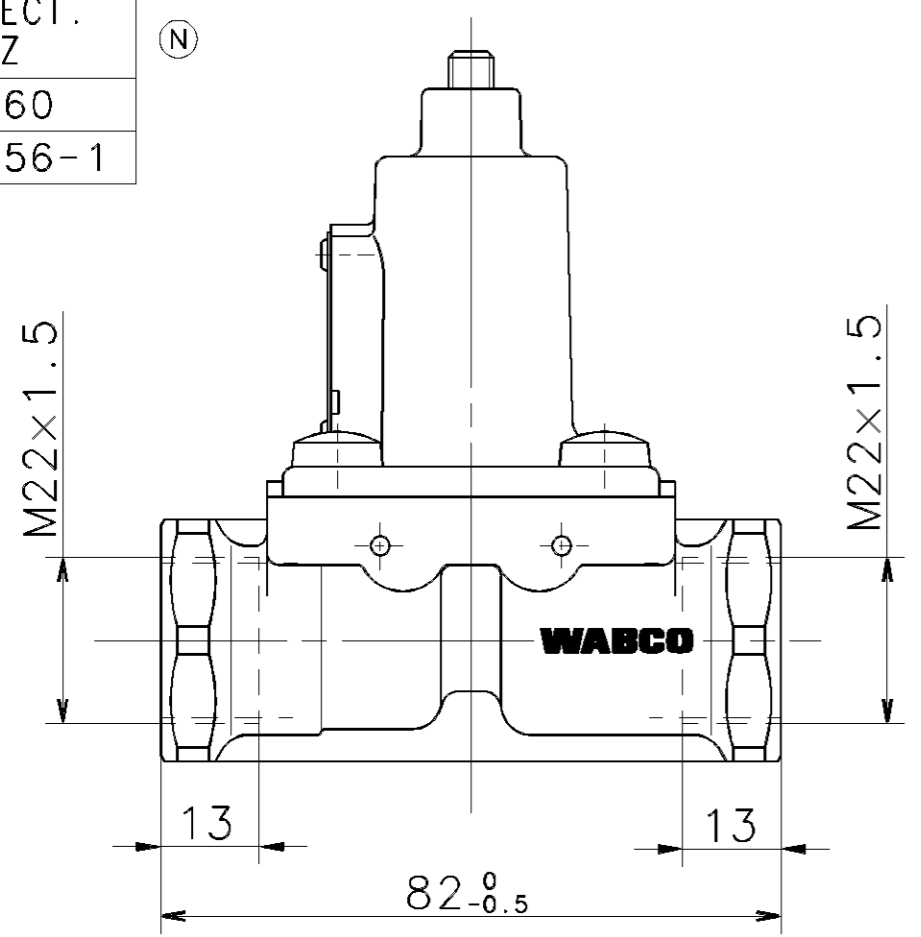


SURFACE PROTECT.  
OBERFL. SCHUTZ

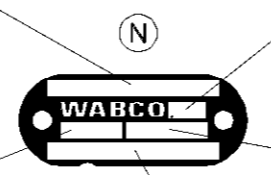
I	JED-260
II	JED-256-1



IDENTIFICATION ACCORDING TO:  
KENNZEICHNUNG NACH: JED-341  
IDENTIFICATION SUIVANT:  
INDICAZIONE SECONDO

CUSTOMERS NO.  
KUNDEN-NR.  
NO. CLIENT  
CLIENTE

DATE OF MANUFACTURE  
HERSTELLDATUM  
DATE DE FABRICATION  
DATA DI FABBRICAZIONE



PRI  
BARCODE-WABCO  
BARCODE-WABCO  
CODEBARRE-WABCO  
CODICE A BARRE-WABCO

WABCO IDENTIFICATION NUMBER  
WABCO IDENTIFIKATIONS NUMMER  
WABCO NUMERO D'IDENTIFICATION  
WABCO NUMERO D'IDENTIFICAZIONE

LOAD: SEE PRODUCT SPECIFICATION  
BELASTUNG: SIEHE PRODUKTSPEZIFIKATION  
CHARGE: VOIR PRODUCT SPECIFICATION  
CARICO: VEDERE SPECIFICADI PRODOTTO

TORQUE FOR CONNECTIONS:  
ANZUGSMOMENT FUER EINSCHRAUBSTUTZEN: M22x1.5:  $M_{max.} = 53 \text{ Nm}$   
COUPLE DE SERRAGE DES RACCORDS:  
COPPIA DI SERRAGGIO DEI RACCORDI:

WORKING PRESSURE:  
BETRIEBSDRUCK: MAX.  $p_e = 13 \text{ bar}$   
PRESSION DE SERVICE:  
PRESSIONE D'ESERCIZIO:

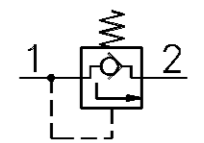
THERMAL RANGE OF APPLICATION:  
THERMISCHER ANWENDUNGSBEREICH:  $-40^\circ\text{C} \dots +80^\circ\text{C}$   
GAMME D'APPLICATION THERMIQUE:  
CAMPO DI APPLICAZIONE TERMICA:

MEDIUM: AIR  
MEDIUM: LUFT  
FLUIDE: AIR  
FLUIDO: ARIA

NOMINAL DIAMETER:  
NENNWEITE:  $\varnothing 8\text{mm} = 50\text{mm}^2$   
DIAMETRE NOMINAL:  
DIAMETRO NOMINALE:

CHARGING PRESSURE: SEE TABLE  
UEBERSTROEMDRUCK: SIEHE TABELLE  
PRESSION DE BARRAGE: VOIR TABLEAU  
PRESSIONE DI PRESA: VEDERE TABELLA

WITH RETURN FLOW  
MIT RUECKSTROEMUNG  
AVEC RETOUR  
CON RITORNO



NON E' PERMESSO CONCESSIONE A TERZI O RIPRODURRE QUESTO DOCUMENTO. NE UTILIZZARNE IL CONTENUTO O RENDERSI RESPONSABILI PER QUALSIASI DANNI SUBITI. E' FATTA LA RISERVA DI TUTTI I DIRITTI DERIVANTI DA BREVETTI O MODELLI.  
 COPIING OF THIS DOCUMENT AND CIRCULATING IT TO OTHERS AND THE USE OR COMMUNICATION OF THE CONTENTS THEREOF, WITHOUT THE WRITTEN PERMISSION OF WABCO, IS PROHIBITED. ALL RIGHTS ARE RESERVED IN THE EVENT OF THE ABUSE AND RESULT IN A LIABILITY TO THE PAYMENT OF DAMAGES.  
 WELLEGABE SOWIE VERVIELFAELTIGUNG DIESER UNTERLAGE, WERBETUNG UND MITTEILUNG IHRES INHALTS NICHT OHNE SCHRIFTLICHE ZULASSUNG VON WABCO VERBODEN. ALLE RECHTE FUER DEN FALL DER PATENTIERUNG ODER GEBRAUCHSMUSTER-EINTRAGUNG VORBEHALTEN.  
 TOILE COMMUNICATION OU REPRODUCTION DE CE DOCUMENT, TOUTE EXPLOITATION OU COMMUNICATION DE SON CONTENU, ENVIANT ET EMPLOIE SON AUTEUR AU PERJUREMENT DE DOMMAGES ET INTERETS A TOUTS DROITS DE PROPRIETE INDUSTRIELLE RESERVES. NOTAMMENT EN MATIERE DE BREVETS ET DE MODELES.  
 MISSBRACH ODER UEBERFLUECHTEN ZU SCHADENSTÄTZ. ALLE RECHTE FUER DEN FALL DER PATENTIERUNG ODER GEBRAUCHSMUSTER-EINTRAGUNG VORBEHALTEN.

434 100 082 0				4.8 <sup>0</sup> <sub>-0.3</sub>
434 100 080 0				4.0 <sup>0</sup> <sub>-0.3</sub>
434 100 049 0				9.6 <sup>0</sup> <sub>-0.3</sub> ** )
434 100 048 0				8.8 <sup>0</sup> <sub>-0.3</sub> ** )
434 100 047 0				10.3 <sup>0</sup> <sub>-0.3</sub> ** )
434 100 039 0				8.3 <sup>0</sup> <sub>-0.3</sub>
434 100 038 0				7.5 <sup>0</sup> <sub>-0.3</sub>
434 100 037 0				1.6 <sup>0</sup> <sub>-0.3</sub>
434 100 034 0				6.8 <sup>0</sup> <sub>-0.3</sub>
434 100 033 0				7.3 <sup>0</sup> <sub>-0.3</sub>
434 100 028 0				5.0 <sup>0</sup> <sub>-0.3</sub>
434 100 026 0				1.0 <sup>0</sup> <sub>-0.3</sub>
434 100 025 0				6.5 <sup>0</sup> <sub>-0.3</sub>
434 100 024 0				6.0 <sup>0</sup> <sub>-0.3</sub>
434 100 023 0				5.5 <sup>0</sup> <sub>-0.3</sub>
434 100 022 0				4.5 <sup>0</sup> <sub>-0.3</sub>
434 100 021 0				3.5 <sup>0</sup> <sub>-0.3</sub>
434 100 020 0				3.0 <sup>0</sup> <sub>-0.3</sub>

DEVICE NUMBER GERAETE-NUMMER NUMERO D' APPAREIL NUMERO CODICE DELL APPARECCHIO WABCO	CUSTOMERS NO. KUNDEN-NR. NO. CLIENT CLIENTE	ZGS ⊙	CAD ⊙	CHARGING PRESSURE: UEBERSTROEMDRUCK: PRESSION DE BARRAGE: PRESSIONE DI PRESA: $p_e = (\text{bar})$ ( $p_2 = 0\text{bar}$ )
---	--	----------	----------	---

- 1 SUPPLY  
ENERGIEZUFLOSS  
ALIMENTATION  
ALIMENTAZIONE
- 2 DELIVERY  
ENERGIEABFLUSS  
UTILISATION  
MANDATA

GENERAL SPECIFICATION: JED-334		CADAM-DRAWING COPYRIGHT		<b>WABCO</b>	
FURTHER TECHNICAL DATA:		DATE SIGNATURE		DRAWN: 90-03-15 SEEW.	
DOC. CODE: SHEET: TO		CHECKED: 90-03-15 DEIKE		STANDARDIZATION: 90-03-15 PANT.	
GENERAL TOLERANCES		MASS SCALE		PRODUCT IDENTIFICATION NO.	
RANGE OF NOMINAL DIMENSIONS ( ± mm )		0.450 1:1		434 100 099 0	
CLASS 1)	≤50 >50 ≤180 >180 >400	SIZE T.R.I.		DOC. CODE SHEET	
FINE	0,5 1,0 1,5 2,0	A 2 140		653 1/1	
MEDIUM	1,0 2,0 3,0 4,0	SHAPE CODE		REPLACEMENT FOR	
COARSE	2,0 3,5 5,0 6,5	⊕		434 100 099 0	
TAPPED HOLES ACC. ISO 4039 / JED-152		DCN-NO. REV. DATE		OF 01-11-09	
1) TOLERANCE CLASS APPLIED CROSSMARKED		082491 2x0 02-04-24		N	
		077898 5xN 01-11-09			
		EXPERT CODE 7 3 4		PRODUCT TYPE 0 0 X	

1009/012/3/04-93 605 653