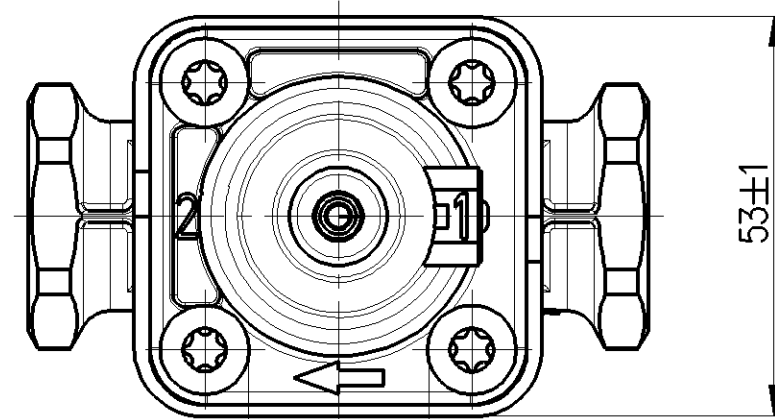
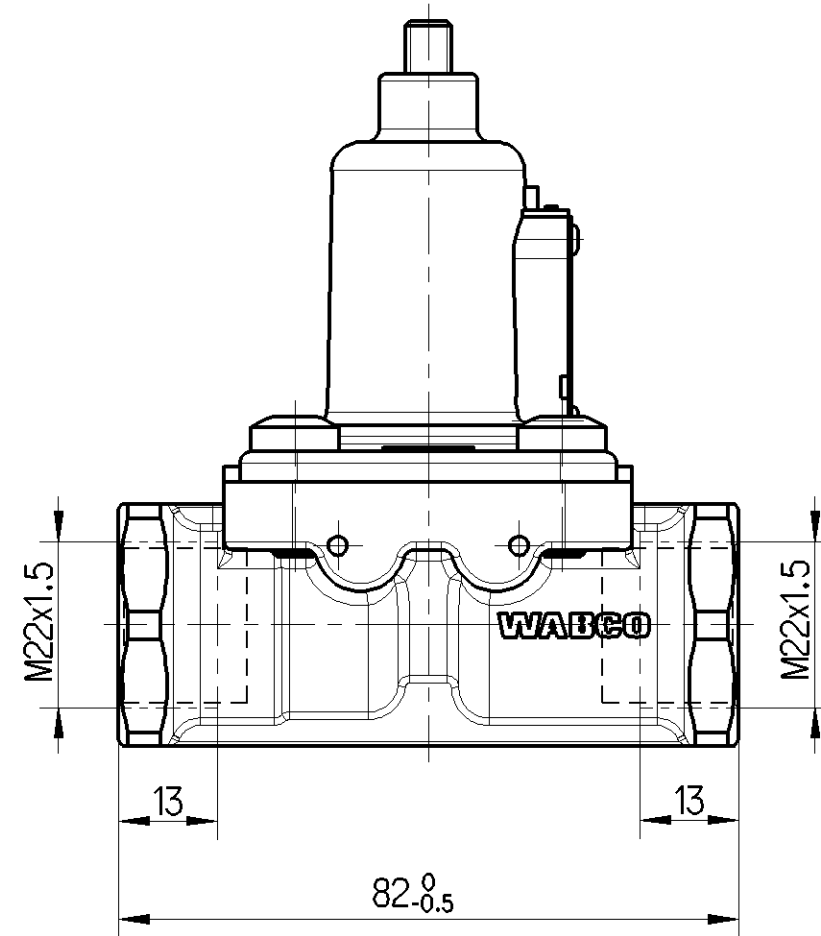
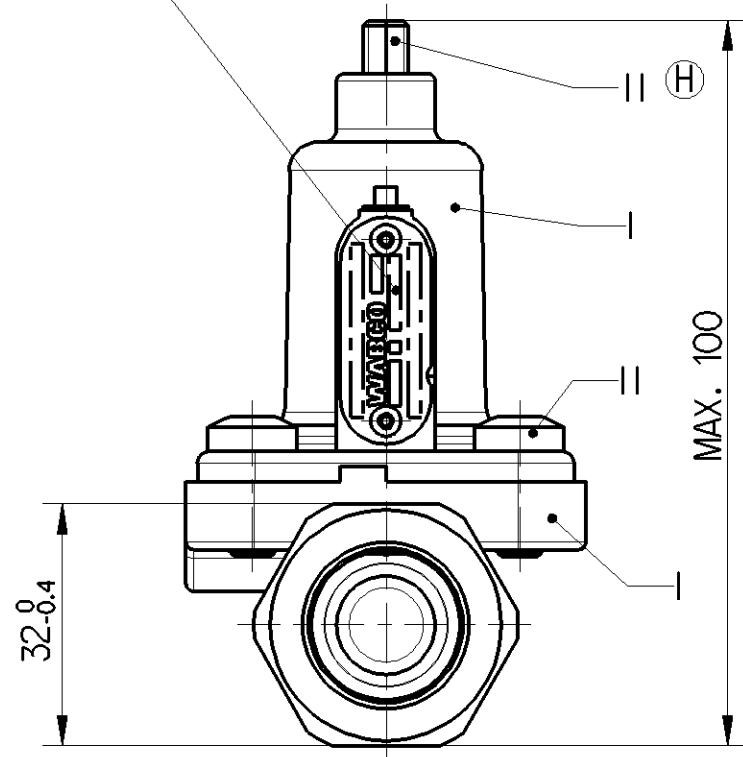


SURFACE PROTECT.
OBERFL. SCHUTZ

I	JED-260
II	JED-256-1 (H)

IDENTIFICATION ACCORDING TO:
KENNZEICHNUNG NACH: JED-341
IDENTIFICATION SUIVANT:
INDICAZIONE SECONDO:



WORKING PRESSURE:
BETRIEBSDRUCK: $P_e = \text{MAX. } 13 \text{ bar}$
PRESSION DE SERVICE:
PRESSIONE D'ESERCIZIO:

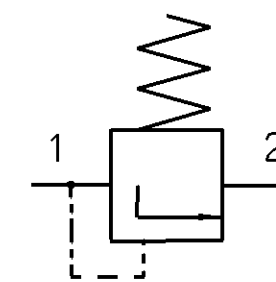
CHARGING PRESSURE:
UEBERSTROEMDRUCK: $P_e = 10_{-0.3}^0 \text{ bar}$ ($P_2 = 0 \text{ bar}$) (1)
PRESSION DE BARRAGE:
PRESSIONE DI PRESA:

THERMAL RANGE OF APPLICATION:
TERMISCHER ANWENDUNGSBEREICH: $-40^\circ\text{C.} \dots +80^\circ\text{C}$
GAMME D'APPLICATION THERMIQUE:
CAMPO DI APPLICAZIONE TERMICA:

MEDIUM: AIR
MEDIUM: LUFT
FLUIDE: AIR
FLUIDO: ARIA

NOMINAL DIAMETER:
NENNWEITE: $\varnothing 8 \text{ mm} = 50 \text{ mm}^2$
DIAMETRE NOMINAL:
DIAMETRO NOMINALE:

WITHOUT RETURN FLOW
OHNE RUECKSTROEMUNG
SANS RETOUR
SENZA RITORNO

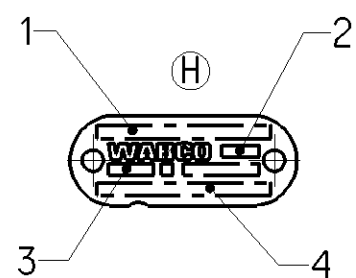


1 SUPPLY
ENERGIEZUFLOSS
ALIMENTATION
ALIMENTAZIONE

2 DELIVERY
ENERGIEABFLUSS
UTILISATION
MANDATA

TORQUE FOR CONNECTIONS:
ANZUGSMOMENT FUER EINSCHRAUBSTUTZEN: M22x1.5: $M_{\text{max.}} = 53 \text{ Nm}$
COUPLE DE SERRAGE DES RACCORDS:
COPPIA DI SARRAGGIO DEI RACCORDI:

(1) LOAD: SEE PRODUCT SPECIFICATION
BELASTUNG: SIEHE PRODUKTSPEZIFIKATION
CHARGE: VOIR PRODUCT SPECIFICATION
CARICO: VEDERE SPECIFICADI PRODOTTO 434 100 136 0



- (H)
- | | | | |
|---|--|---|---|
| 1 | CUSTOMER NO. OR COUNTRY OF ORIGIN
KUNDEN-NR. KZ ODER WARENURSPRUNGSLAND | 3 | WEEK / YEAR OF MANUFACTURE
FERTIGUNGSWOCHE / -JAHR |
| 2 | MANUFACTURING PLANT
PRODUKTIONSSTAETTE JED-225 | 4 | WABCO-DEVICE NUMBER
WABCO-GERAETE NUMMER |

General Specification: JED-334-1, Size ISO 14405 LP		Copyright WABCO®		WABCO		
Further Technical Data: Product Specification				Date	Signature	
Doc. Code: 035		Sheet: 1 To 4		2015-07-16	Cwirkalski	
General Tolerances JED-261				Checked		
Range of Nominal Dimensions (± mm)				2015-07-24 Chamol		
Class 1)	≤ 50	> 50 ≤ 180	> 180 ≤ 400	Expert		
Fine	0.5	1.0	1.5	Gontarz		
Medium	X 1.0	2.0	3.0	M22x1.5		
Coarse	2.0	3.5	5.0	Scale		
Tapped Holes acc.				Material No.		
1) Tolerance Class Applied Crossmarked				Date of first issue: 2009-08-12		
				Doc. Code Language Sheet		
				005 ML 1/1		
				ECN-No. Revision Techn. Resp. Replacement for		
				165455 5 x H 5120		

100mm