

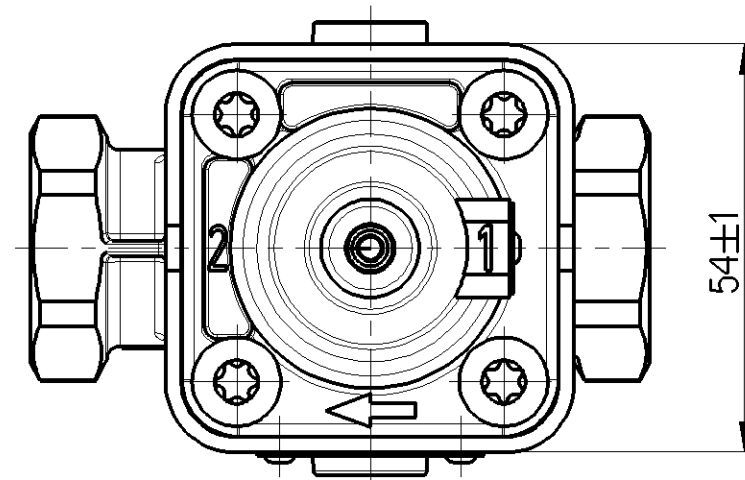
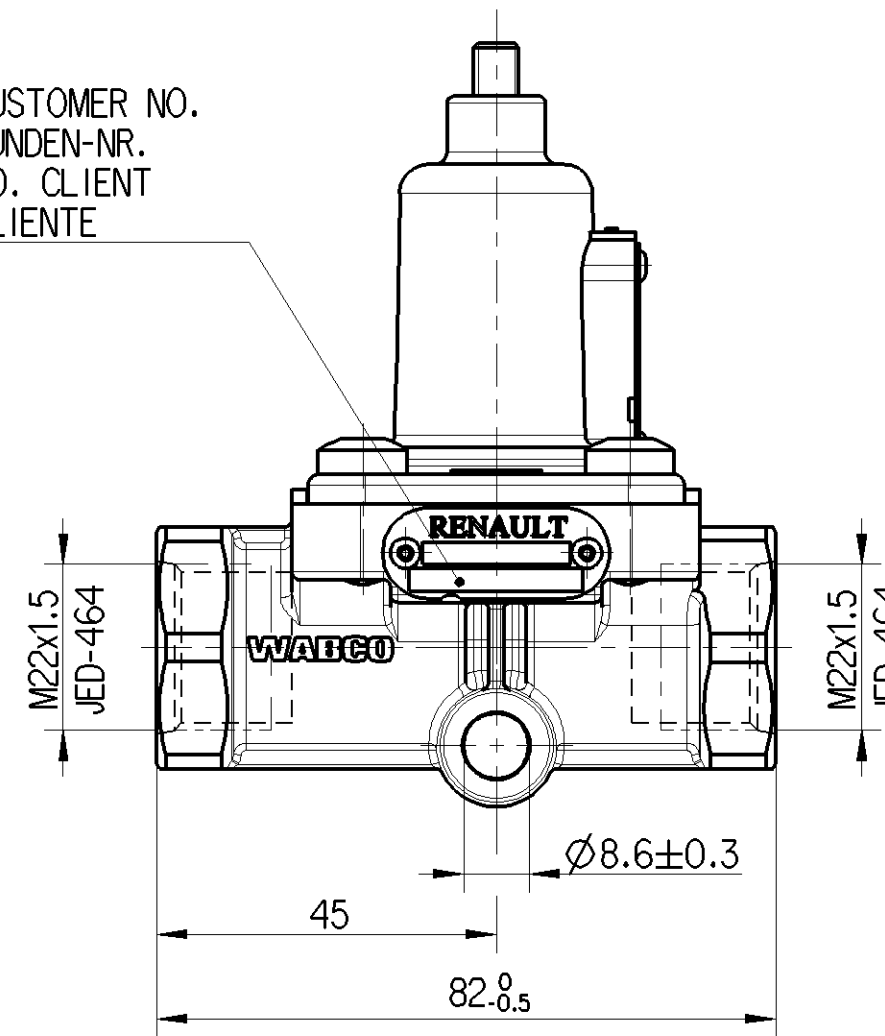
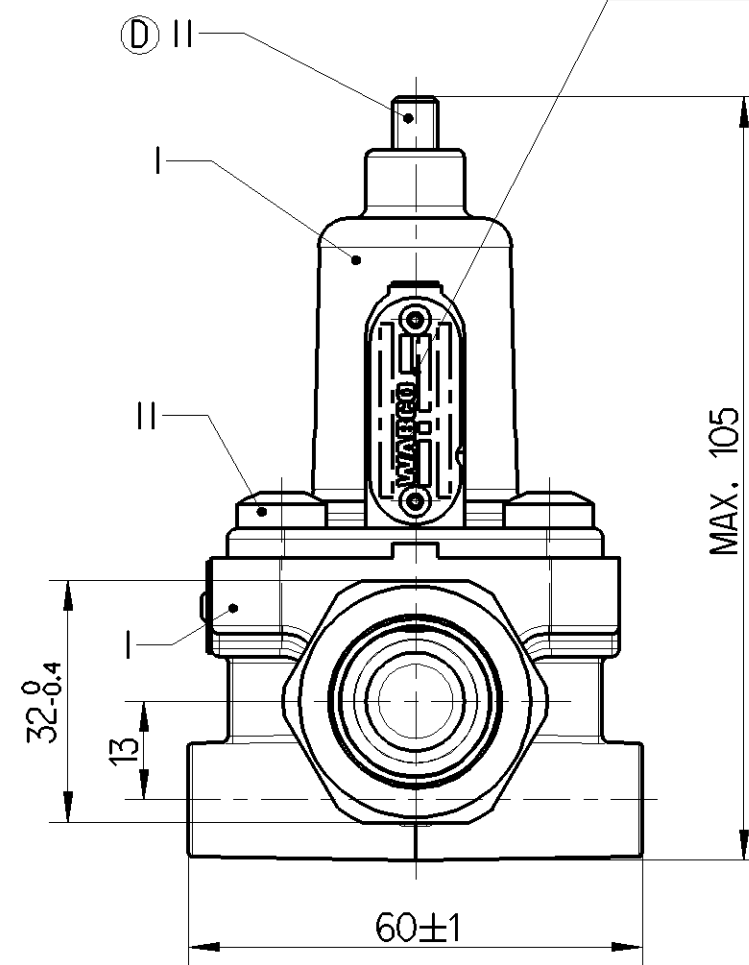
SURFACE PROTECT./OBERFL. SCHUTZ

I	JED-260
II	JED-256-1

IDENTIFICATION ACCORDING TO:
KENNZEICHNUNG NACH:
IDENTIFICATION SUIVANT:
INDICAZIONE SECONDO:

JED-341

CUSTOMER NO.
KUNDEN-NR.
NO. CLIENT
CLIENTE



WORKING PRESSURE:
BETRIEBSDRUCK: MAX. $P_e = 13$ bar
PRESSION DE SERVICE:
PRESSIONE D'ESERCIZIO:

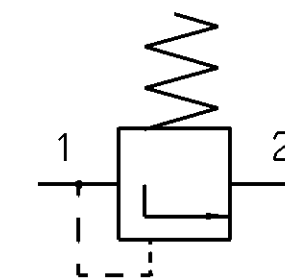
THERMAL RANGE OF APPLICATION:
TERMISCHER ANWENDBEREICH: -40°C. . . +80°C
GAMME D'APPLICATION THERMIQUE:
CAMPO DI APPLICAZIONE TERMICA:

MEDIUM: AIR
MEDIUM: LUFT
FLUIDE: AIR
FLUIDO: ARIA

NOMINAL DIAMETER:
NENNWEITE: $\varnothing 8$ mm = 50 mm²
DIAMETRE NOMINAL:
DIAMETRO NOMINALE:

CHARGING PRESSURE: SEE TABLE
UBERSTROEMDRUCK: SIEHE TABELLE
PRESSION DE BARRAGE: VOIR TABLEAU
PRESSIONE DI PRESA: VEDERE TABELLA

WITHOUT RETURN FLOW
OHNE RUECKSTROMUNG
SANS RETOUR
SENZA RITORNO



SUPPLY
1 ENERGIEZUFUSS
ALIMENTATION
ALIMENTAZIONE

DELIVERY
2 ENERGIEABFLUSS
UTILISATION
MANDATA

TORQUE FOR CONNECTIONS:
ANZUGSMOMENT FUER EINSCHRAUBSTUTZEN: M22x1.5: M max. = 53 Nm
COUPLE DE SERRAGE DES RACCORDS: JED-464
COPPIA DI SARRAGGIO DEI RACCORDI:

Non è permesso consegnare o terzi o riprodurre questo documento, né utilizzare il contenuto o renderlo comunque noto a terzi senza permesso scritto dalla WABCO. È vietata espressamente la ristampa o l'uso non autorizzato. E' fatto riserva di tutti i diritti, espressi o non, di brevetto o di marchio. Copying of this document and giving it to others and the use or communication of the contents thereof, are forbidden without express written permission from WABCO. The reproduction or use of the contents of this document for any purpose other than that intended is prohibited. All rights reserved in the event of the grant of patent or registration of a utility model or design. This document is the subject of copyright.

Toute communication ou reproduction de ce document, toute exploitation ou communication de son contenu sont interdites, sauf autorisation expresse. Tout emprunt ou toute réimpression ou utilisation non autorisée sans le consentement écrit de WABCO est formellement interdite. Toute réimpression ou utilisation non autorisée sans le consentement écrit de WABCO est formellement interdite. Weitergabe sowie Vervielfältigung dieser Unterlagen, Verwertung und Mitteilung ihres Inhalts nicht gestattet, soweit nicht ausdrücklich zugelassen. Zuwiderhandlungen stellen einen strafrechtlichen Missbrauch dar und verpflichten zu Schadensersatz. Alle Rechte für den Fall der Patentierung oder Gebrauchsmuster-Eintragung vorbehalten.

434 100 151 0	5010422739	5.6 ^{+0.5} _{-0.3}	5 ±0.2
434 100 150 0	5010422738	6.1 ^{+0.5} _{-0.2}	5.5 ±0.2
DEVIKA NUMBER GERAETA-NUMMER NUMERO D'APPAREIL NUMERO CODICE DELL APPARECCHIO WABCO	CUSTOMERS NO. KUNDEN-NR. NO. CLIENT CLIENTE	CHARGING PRESSURE UBERSTROEMDRUCK PRESSION D'OUVERTURE PRESSIONE DI PRESA Pe = (bar)	CLOSING PRESSURE SCHLIESSDRUCK PRESSION DE BARRAGE PRESSIONE DI CHIUSURA Pe = (bar)

General Specification: JED-334-1, Size ISO 14405 LP		Copyright WABCO®		WABCO		
Further Technical Data:		Date	Signature	CHARGING VALVE UEBERSTROEMVENTIL VALVE DE BARRAGE VALVOLA DI PRESA D'ARIA		
Doc. Code:	Sheet: To	2015-07-16	Cwirkalski	2010-01-28		
General Tolerances JED-261		2015-07-24	Chamol	053 ML 1/1		
Class 1)	Range of Nominal Dimensions (± mm)	Expert Gontarz		Material No. 434 100 197 0		
Fine	≤ 50 > 50 > 180 > 400	M22x1.5		Date of first issue: 2010-01-28		
Medium	≤ 180 ≤ 400	Scale 1:1		Doc.Code Language Sheet		
Coarse	≤ 400 > 400	Size A 2		165455 3 x D 5120		
Tapped Holes acc.		CAD System CREO		Revision Techn. Resp. Replacement for		
1) Tolerance Class Applied Crossmarked		ECN-No.		Revision Techn. Resp. Replacement for		

100mm