

SURFACE PROTECT.  
OBERFL. SCHUTZ

I	JED-260
II	JED-256-1

IDENTIFICATION ACCORDING TO:  
KENNZEICHNUNG NACH: JED-341  
IDENTIFICATION SUIVANT:  
INDICAZIONE SECONDO:

WORKING PRESSURE:  
BETRIEBSDRUCK: MAX.  $P_e = 13 \text{ bar}$   
PRESSION DE SERVICE:  
PRESSIONE D'ESERCIZIO:

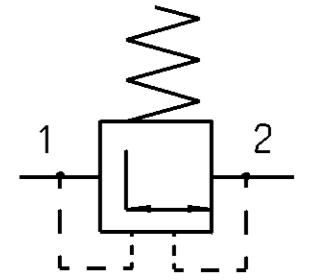
THERMAL RANGE OF APPLICATION:  
TERMISCHER ANWENDUNGSBEREICH:  $-40^\circ\text{C} \dots +80^\circ\text{C}$   
GAMME D'APPLICATION THERMIQUE:  
CAMPO DI APPLICAZIONE TERMICA:

MEDIUM: AIR  
MEDIUM: LUFT  
FLUIDE: AIR  
FLUIDO: ARIA

NOMINAL DIAMETER:  
NENNWEITE:  $\varnothing 8 \text{ mm} = 50 \text{ mm}^2$   
DIAMETRE NOMINAL:  
DIAMETRO NOMINALE:

CLOSING PRESSURE: 85% OF CHARGING PRESSURE  
SCHLIESSDRUCK: 85% DES UEBERSTROEMDRUCKES  
PRESSION DE FERMETURE: 85% DE PRESSION DE BARRAGE  
PRESSIONE DI CHIUSURA: 85% DI PRESSIONE DI PRESA

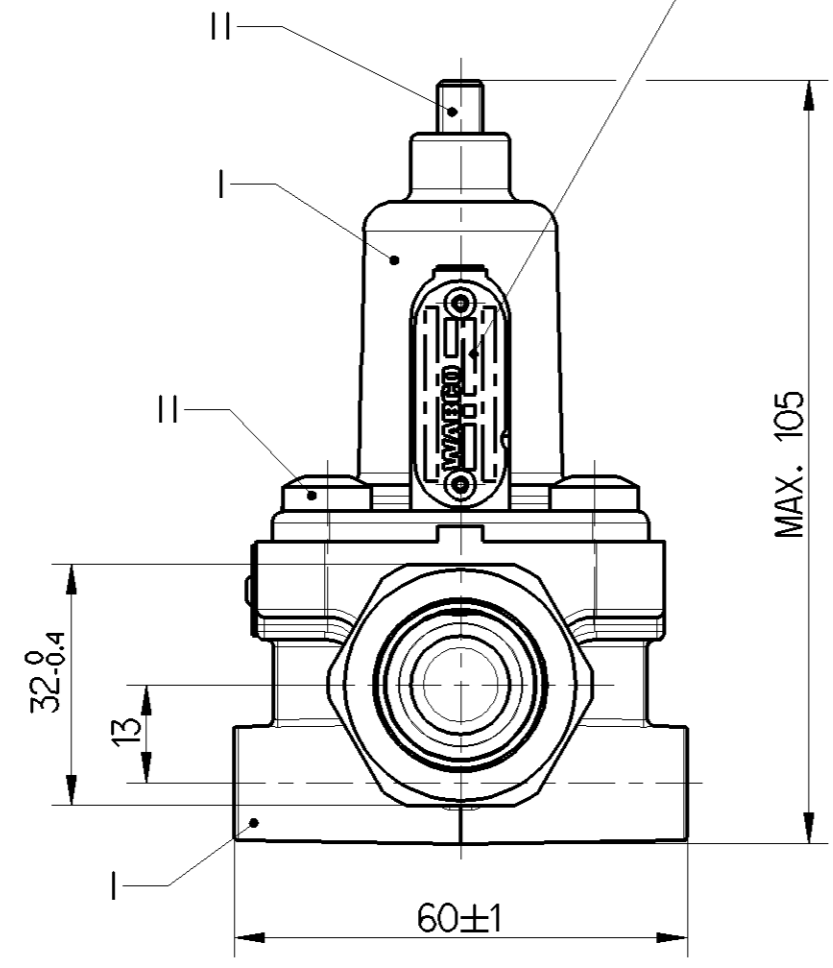
WITH LIMITED RETURN FLOW  
MIT BEGRENZTER RUECKSTROEMUNG  
AVEC RETOUR LIMITE  
CON RITORNO LIMITATO



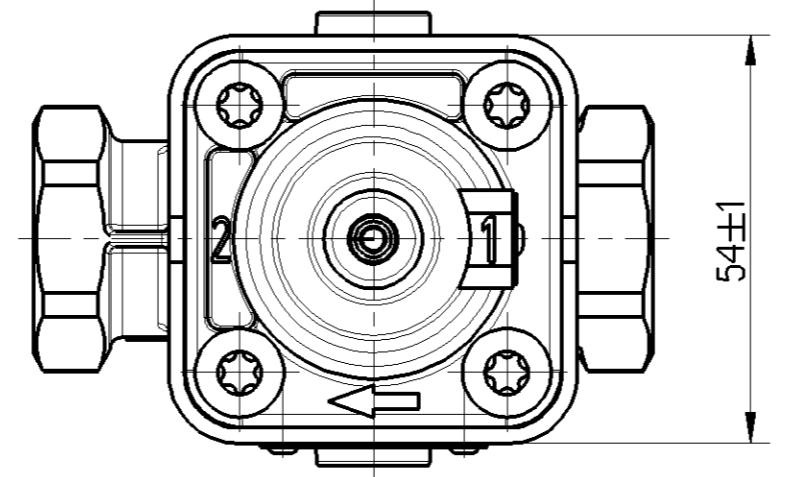
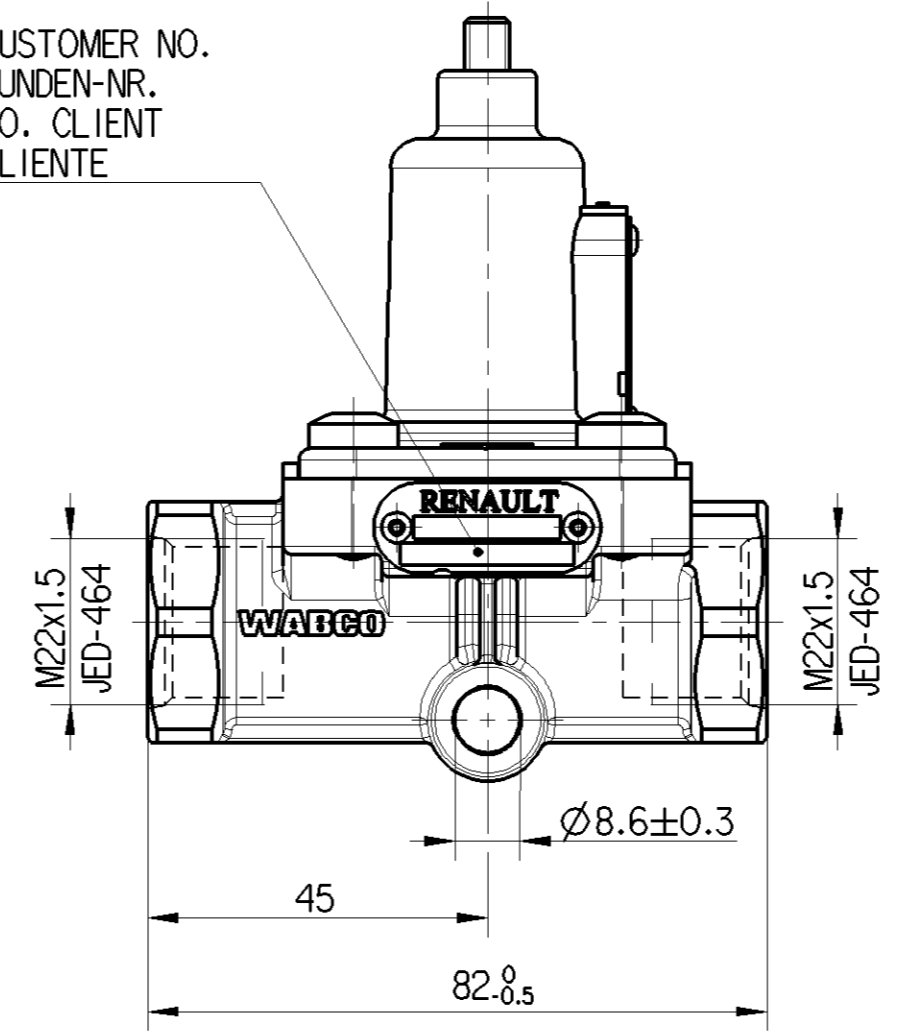
SUPPLY  
1 ENERGIEZUFLUSS  
ALIMENTATION  
ALIMENTAZIONE

DELIVERY  
2 ENERGIEABFLUSS  
UTILISATION  
MANDATA

TORQUE FOR CONNECTIONS:  
ANZUGSMOMENT FUER EINSCHRAUBSTUTZEN: M22x1.5: M max. = 53 Nm  
COUPLE DE SERRAGE DES RACCORDS: JED-464  
COPPIA DI SARRAGGIO DEI RACCORDI:



CUSTOMER NO.  
KUNDEN-NR.  
NO. CLIENT  
CLIENTE



Non e' permesso copiare, o terzi o riprodurre questo documento, ne utilizzare il contenuto o renderlo comunque noto o terzi senza autorizzazione esplicita. Ogni infrazione costituisce un evidente abuso e comportera il risarcimento dei danni subiti. E' fatta riserva di tutti i diritti derivanti da brevetti o modelli.  
Copies of this document and giving it to others and the use or communication of the contents thereof, are forbidden without express authority. Contravention of this restriction will constitute an evident abuse and result in a liability to the payment of damages. All rights are reserved in the event of the grant of patent or registration of a utility model or design. This document is the subject of copyright.

Tout communication ou reproduction de ce document, toute exploitation ou communication de son contenu sont interdites, sauf autorisation expresse. Tout manquement a cette regle constitue un abus evident et expose son auteur ou versement de dommages et interets. Tous droits de proprieite industrielle reserves, notamment en matiere de brevets et de modesles.  
Wiederholte sowie Veroffentlichung dieser Unterlagen, Verfertigen und Weitergeben, sowie die Kommunikation des Inhalts derselben ohne schriftliche Genehmigung ist nicht ausdrucklich untersagt. Zuwiderhandlungen stellen einen offensichtlichen Missbrauch dar und verpflichten zu Schadenersatz. Alle Rechte fuer den Fall der Patentierung oder Gebrauchsmuster-Eintragung vorbehalten.

434 100 257 0	5010422743	$5.6^{+0.5}_{-0.2}$	$5 \pm 0.2$
434 100 254 0	5010422741	$7.5^{+0.5}_{-0.2}$	$6.8 \pm 0.2$
434 100 253 0	5010422740	$6.1^{+0.5}_{-0.2}$	$5.5 \pm 0.2$
DEVICES NUMBER GERAETA-NUMMER NUMERO D'APPAREIL NUMERO CODICE DELL APPARECCHIO WABCO	CUSTOMERS NO. KUNDEN-NR. NO. CLIENT CLIENTE	CHARGING PRESSURE UEBERSTROEMDRUCK PRESSION D'OUVERTURE PRESSIONE DI PRESA $P_e = (\text{bar})$ ( $P_2 = 0 \text{ bar}$ )	CLOSING PRESSURE SCHLIESSDRUCK PRESSION DE BARRAGE PRESSIONE DI CHIUSURA $P_e = (\text{bar})$

General Specification: JED-334-1, Size ISO 14405 LP		Copyright WABCO®		<b>WABCO</b>	
Further Technical Data:		Date	Signature	CHARGING VALVE UEBERSTROEMVENTIL VALVE DE BARRAGE VALVOLA DI PRESA D'ARIA	
Doc. Code	Sheet	2015-11-13	Mazurkiewicz	Doc. Code Language Sheet	
General Tolerances JED-261		2016-02-17	Chamol	053 ML 1/1	
Range of Nominal Dimensions ( ± mm)		Expert Gontarz		Material No. 434 100 297 0	
Class 1)	$\leq 50$	$> 50 \leq 180$	$> 180 \leq 400$	$> 400$	Date of first issue: 2009-10-14
Fine	0.5	1.0	1.5	2.0	ECN-No. 168908
Medium	1.0	2.0	3.0	4.0	Revision 1 x E
Coarse	2.0	3.5	5.0	6.5	Techn. Resp. 5120
Tapped Holes acc.		Mass Scale		Replacement for	
1) Tolerance Class Applied Crossmarked		0.510 kg	1:1	A 2 CREO	

100mm