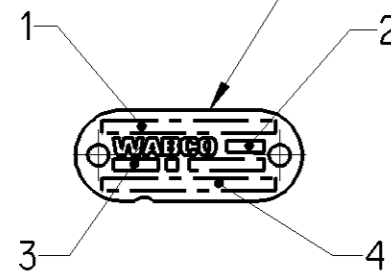
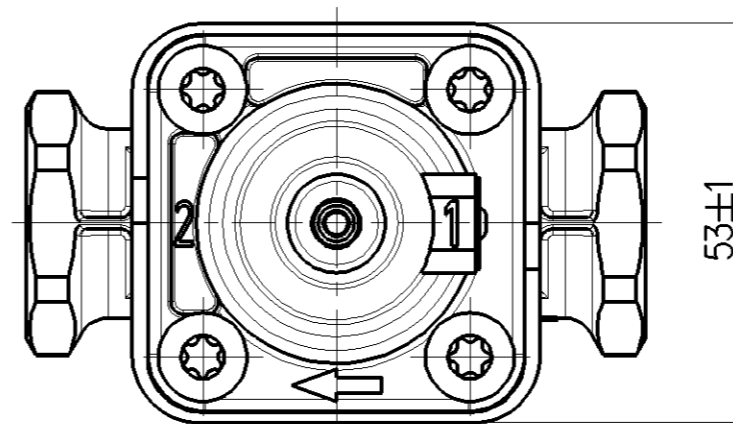
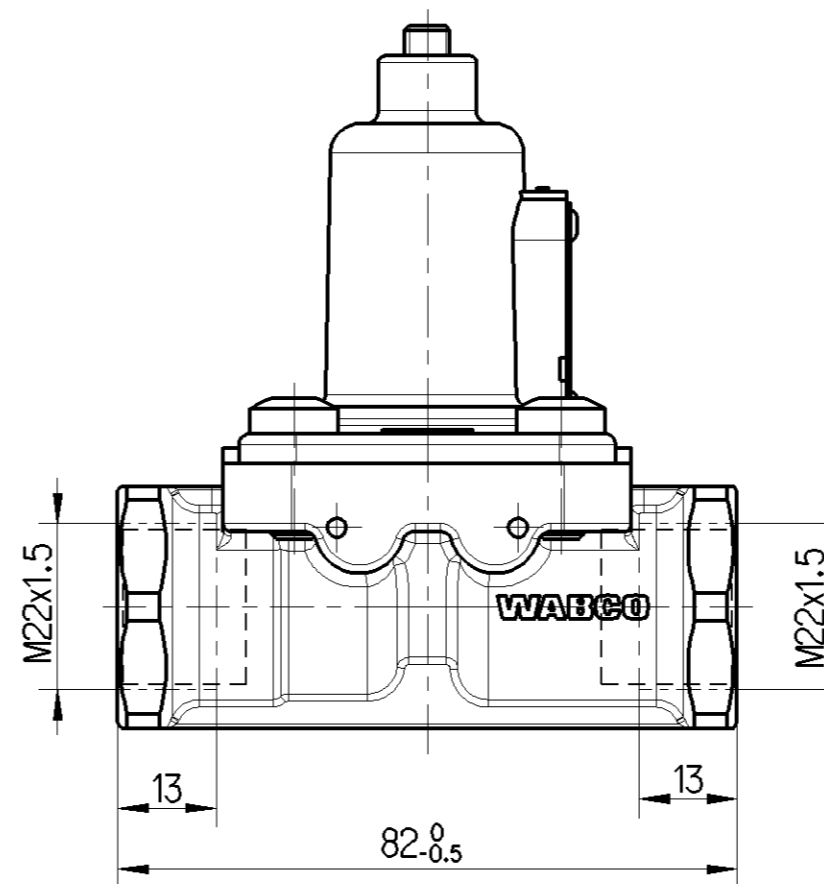
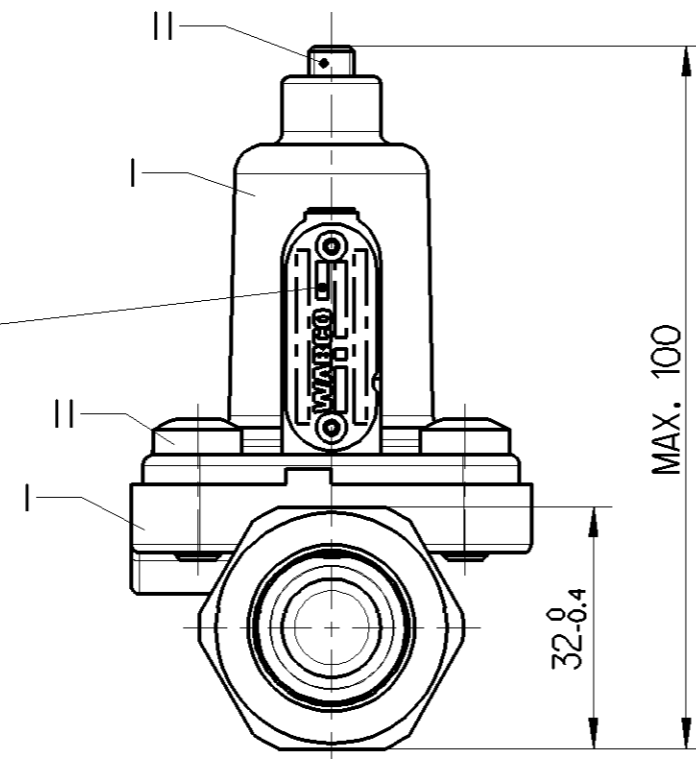


SURFACE PROTECT./OBERFL. SCHUTZ

I	JED-260
II	JED-256-1

IDENTIFICATION ACCORDING TO:  
KENNZEICHNUNG NACH:  
JED-341 IDENTIFICATION SUIVANT:  
INDICAZIONE SECONDO:

JED-341



- 1 CUSTOMER NO. OR COUNTRY OF ORIGIN  
KUNDEN-NR. KZ ODER WARENRUSPRUNGSLAND
- 2 MANUFACTURING PLANT  
PRODUKTIONSSTAETTE JED-225
- 3 WEEK / YEAR OF MANUFACTURE  
FERTIGUNGSWOCHE / -JAHR
- 4 WABCO-DEVICE NUMBER  
WABCO-GERAETE NUMMER

WORKING PRESSURE:  
BETRIEBSDRUCK: MAX. Pe = 13 bar  
PRESSION DE SERVICE:  
PRESSIONE D'ESERCIZIO:

THERMAL RANGE OF APPLICATION:  
TERMISCHER ANWENDUNGSBEREICH:  
GAMME D'APPLICATION THERMIQUE: -40°C. . . +80°C  
CAMPO DI APPLICAZIONE TERMICA:

MEDIUM: AIR  
MEDIUM: LUFT  
FLUIDE: AIR  
FLUIDO: ARIA

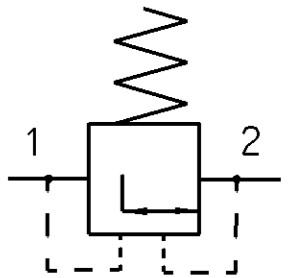
NOMINAL DIAMETER:  
NENNWEITE: Ø8 mm = 50 mm<sup>2</sup>  
DIAMETRE NOMINAL:  
DIAMETRO NOMINALE:

CHARGING PRESSURE: SEE TABLE  
UEBERSTROEMDRUCK: SIEHE TABELLE  
PRESSION DE BARRAGE: VOIR TABLEAU  
PRESSIONE DI PRESA: VEDERE TABELLA

WITH LIMITED RETURN FLOW  
MIT BEGRENZER RUECKSTROMUNG  
AVEC RETOUR LIMITE  
CON RITORNO LIMITATO

SUPPLY  
1 ENERGIEZUFLUSS  
ALIMENTATION  
ALIMENTAZIONE

DELIVERY  
2 ENERGIEABFLUSS  
UTILISATION  
MANDATA



TORQUE FOR CONNECTIONS:  
ANZUGSMOMENT FUER EINSCHRAUBSTUTZEN: M22x1.5: M max. = 53 Nm  
COUPLE DE SERRAGE DES RACCORDS:  
COPPIA DI SARRAGGIO DEI RACCORDI:

Non e permesso copiare, o terzi o riprodurre questo documento, ne utilizzare il contenuto o renderlo comunque noto a terzi senza autorizzazione esplicita. Ogni infrazione costituisce un evidente abuso e comportera il risarcimento dei danni subiti. E' fatta riserva di tutti i diritti derivanti da brevetti o modelli.

Copies of this document and giving it to others and the use or communication of the contents thereof, are forbidden without express authority. Contention of this restriction will constitute an evident abuse and result in a liability to the payment of damages. All rights are reserved in the event of the grant of patent or registration of a utility model or design. This document is the subject of copyright.

Tous droits de propriete industrielle reserves, notamment en matiere de brevets et de modesles. Toute communication ou reproduction de ce document, toute exploitation ou communication de son contenu sont interdites, sauf autorisation expresse. Tout manquement a cette regle constitue un abus evident et expose son auteur au versement de dommages et interets. Tous droits de propriete industrielle reserves, notamment en matiere de brevets et de modesles.

Weitergabe sowie Vervielfaeltigung dieser Unterlagen, Verwertung und Mitteilung ihres Inhalts nicht gestattet, soweit nicht ausdruecklich ansonsten, Zuwehrendungen, stellen eines offentlichen Missbrauch dar und verpflichten zu Schadenersatz. Alle Rechte fuer den Fall der Patenterteilung oder Gebrauchsmuster-Eintragung vorbehalten.

434 100 251 0				0.8 <sup>0</sup> <sub>-0.3</sub>
434 100 249 0				10.0 <sup>0</sup> <sub>-0.3</sub>
434 100 246 0				7.3 <sup>0</sup> <sub>-0.3</sub>
434 100 244 0				7.5 <sup>0</sup> <sub>-0.3</sub>
434 100 243 0				2.8 <sup>0</sup> <sub>-0.3</sub>
434 100 236 0				1.1 <sup>0</sup> <sub>-0.3</sub>
434 100 235 0				4.2 <sup>0</sup> <sub>-0.3</sub>
434 100 234 0				8.0 <sup>0</sup> <sub>-0.3</sub>
434 100 233 0				7.0 <sup>0</sup> <sub>-0.3</sub>
434 100 232 0				8.5 <sup>0</sup> <sub>-0.3</sub>
434 100 228 0				6.4 <sup>0</sup> <sub>-0.3</sub>
434 100 227 0				5.5 <sup>0</sup> <sub>-0.3</sub>
434 100 226 0				5.2 <sup>0</sup> <sub>-0.3</sub>
434 100 225 0				6.8 <sup>0</sup> <sub>-0.3</sub>
434 100 224 0				1.7 <sup>0</sup> <sub>-0.3</sub>
434 100 223 0				4.0 <sup>0</sup> <sub>-0.3</sub>
434 100 222 0				6.2 <sup>0</sup> <sub>-0.3</sub>
434 100 221 0				5.0 <sup>0</sup> <sub>-0.3</sub>
434 100 220 0				4.5 <sup>0</sup> <sub>-0.3</sub>

DEVICE NUMBER GERAETE-NUMMER NUMERO D'APPAREIL NUMERO CODICE DELL APPARECCHIO	CUSTOMERS NO. KUNDEN-NR. NO CLIENT CLIENTE	ZGS	CAD	CHARGING PRESSURE: UEBERSTROEMDRUCK: PRESSION DE BARRAGE: PRESSIONE DI PRESA: Pe = (bar) (P2=0 bar)
WABCO				

General Specification: JED-334-1 Size ISO 14405 LP		Copyright WABCO®		<b>WABCO</b>	
Further Technical Data:		Date	Signature		
Doc. Code	Sheet	To	Drawn		
			2015-10-26	Mazurkiewicz	
General Tolerances JED-261			Checked		
Range of Nominal Dimensions ( ± mm)			2015-10-26	Chamol	
Class	1)	≤ 50	> 50 ≤ 180	> 180 ≤ 400	> 400
Fine		0.5	1.0	1.5	2.0
Medium	X	1.0	2.0	3.0	4.0
Coarse		2.0	3.5	5.0	6.5
Tapped Holes acc. JED-152		Expert		Gontarz	
1) Tolerance Class Applied Crossmarked		Mass	Scale	Material No.	
		0.418	1:1	434 100 299 0	
		Size	CAD System	Date of first issue: 2010-01-28	
		A 2	CREO	Doc.Code Language Sheet	
		ECN-No.		Revision Techn. Resp.	
		169090		1 x T	
		Replacement for		053 ML 1/1	