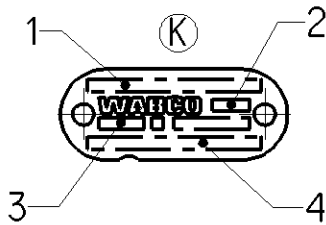
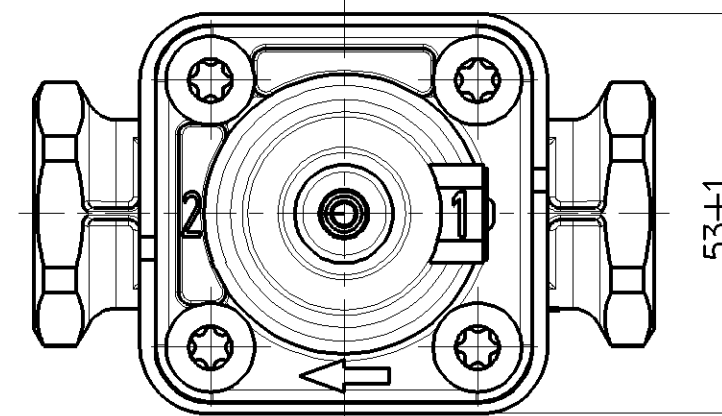
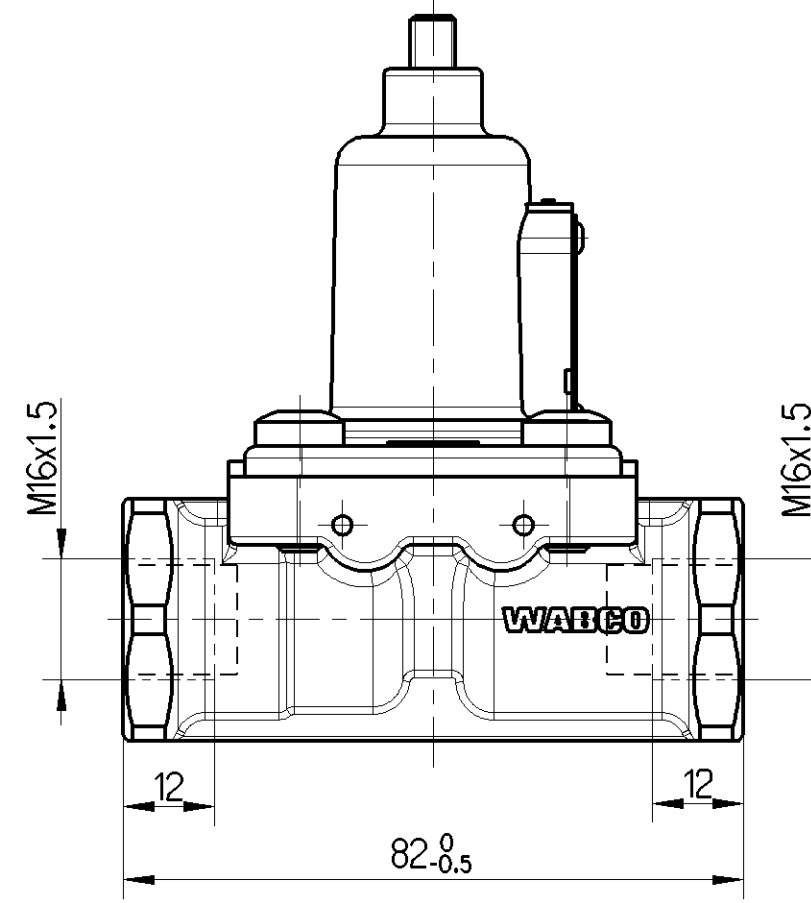
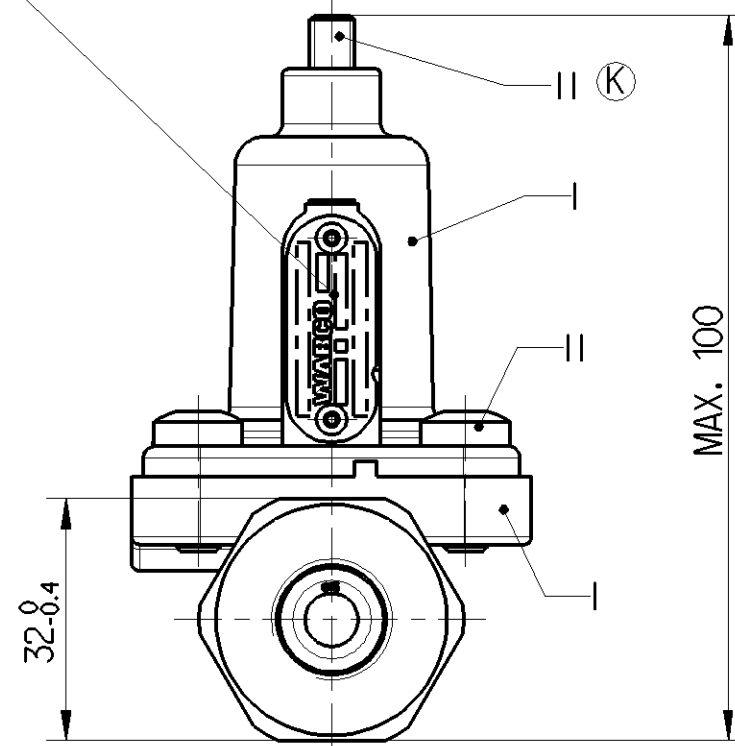


SURFACE PROTECT.  
OBERFL. SCHUTZ

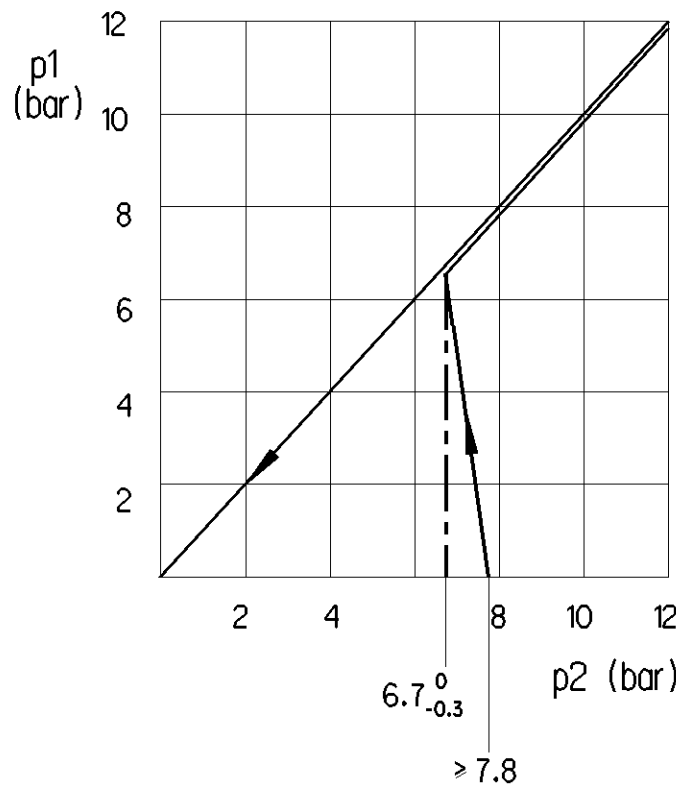
I	JED-260
II	JED-256-1 (K)

IDENTIFICATION ACCORDING TO:  
KENNZEICHNUNG NACH: JED-341  
IDENTIFICATION SUIVANT:  
INDICAZIONE SECONDO:

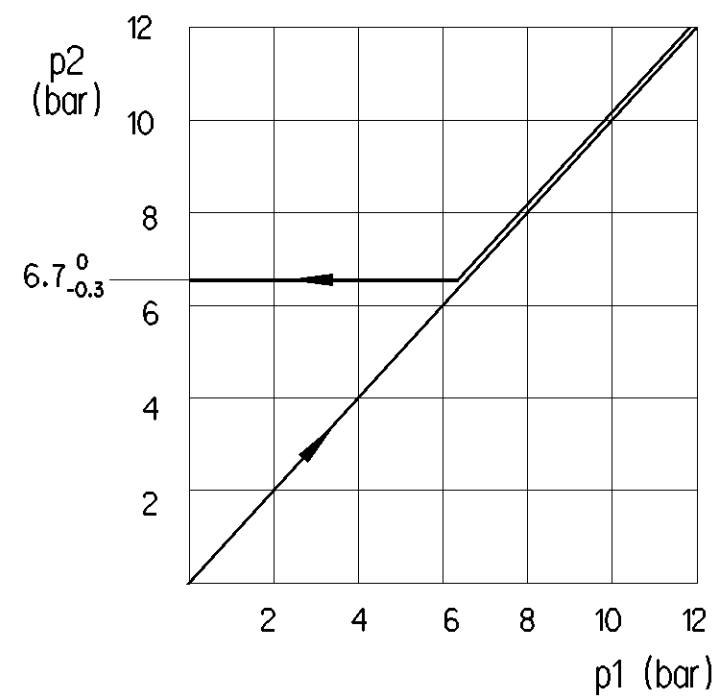


- (K)
- |   |  |   |   |
|---|--|---|---|
| 1 | CUSTOMER NO. OR COUNTRY OF ORIGIN<br>KUNDEN-NR. KZ ODER WARENRUSPRUNGSLAND | 3 | WEEK / YEAR OF MANUFACTURE<br>FERTIGUNGSWOCHE / -JAHR |
| 2 | MANUFACTURING PLANT<br>PRODUKTIONSSTAETTE JED-225                          | 4 | WABCO-DEVICE NUMBER<br>WABCO-GERAETE NUMMER           |

DIRECTION OF FLOW  
DURCHSTROMRICHTUNG  
SENS DE PASSAGE  
SENSO DI FLUSSO



DIRECTION OF FLOW  
DURCHSTROMRICHTUNG  
SENS DE PASSAGE  
SENSO DI FLUSSO



WORKING PRESSURE:  
BETRIEBSDRUCK:  $P_e = \text{MAX. } 13 \text{ bar}$   
PRESSION DE SERVICE:  
PRESSIONE D'ESERCIZIO:

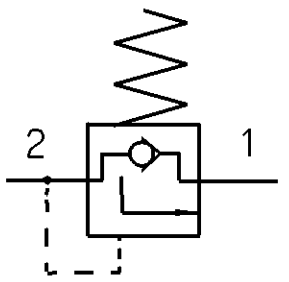
CLOSING PRESSURE:  
SCHLIESSDRUCK:  $P_e = 6.7_{-0.3}^0 \text{ bar}$   
PRESSION DE FERMETURE:  
PRESSIONE DI CHIUSURA:

THERMAL RANGE OF APPLICATION:  
TERMISCHER ANWENDUNGSBEREICH:  $-40^\circ\text{C} \dots +80^\circ\text{C}$   
GAMME D'APPLICATION THERMIQUE:  
CAMPO DI APPLICAZIONE TERMICA:

MEDIUM: AIR  
MEDIUM: LUFT  
FLUIDE: AIR  
FLUIDO: ARIA

NOMINAL DIAMETER:  
NENNWEITE:  $\varnothing 7 \text{ mm} = 38 \text{ mm}^2$   
DIAMETRE NOMINAL:  
DIAMETRO NOMINALE:

WITH LIMITED RETURN FLOW  
MIT BEGRENZER RUECKSTROMUNG  
AVEC RITORNO LIMITE  
CON RITORNO LIMITATO



SUPPLY  
1 ENERGIEZUFLUSS  
ALIMENTATION  
ALIMENTAZIONE

DELIVERY  
2 ENERGIEABFLUSS  
UTILISATION  
MANDATA

TORQUE FOR CONNECTIONS:  
ANZUGSMOMENT FUER EINSCHRAUBSTUTZEN: M16x1.5:  $M_{\text{max.}} = 53 \text{ Nm}$   
COUPLE DE SERRAGE DES RACCORDS:  
COPPIA DI SARRAGGIO DEI RACCORDI:

General Specification: JED-334-1, Size ISO 14405 LP		Copyright WABCO®		<b>WABCO</b>		
Further Technical Data:		Date	Signature			
Doc. Code:	Sheet: To	2015-07-16	Cwialkowski	Date of first issue: 2009-11-13		
General Tolerances JED-261		2015-07-24	Chamol	Doc. Code Language Sheet		
Class 1) ≤ 50 > 50 > 180 > 400 > 400		Expert		005 ML 1/1		
Fine 0.5 1.0 1.5 2.0		Gontarz		Material No. 434 100 504 0		
Medium X 1.0 2.0 3.0 4.0		CREO		Date of first issue: 2009-11-13		
Coarse 2.0 3.5 5.0 6.5		A 2		Doc. Code Language Sheet		
Tapped Holes acc.		CREO		005 ML 1/1		
1) Tolerance Class Applied Crossmarked		CREO		ECN-No. 165455		
		CREO		Revision 5 x K		
		CREO		Techn. Resp. 5120		
		CREO		Replacement for		

100mm