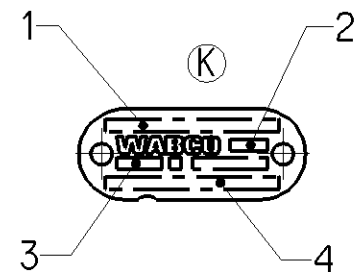
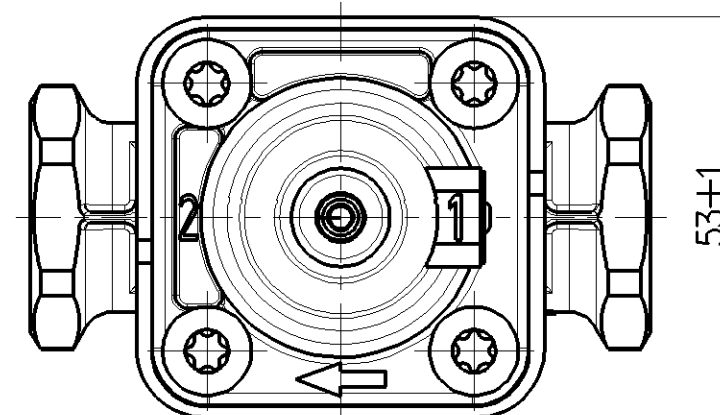
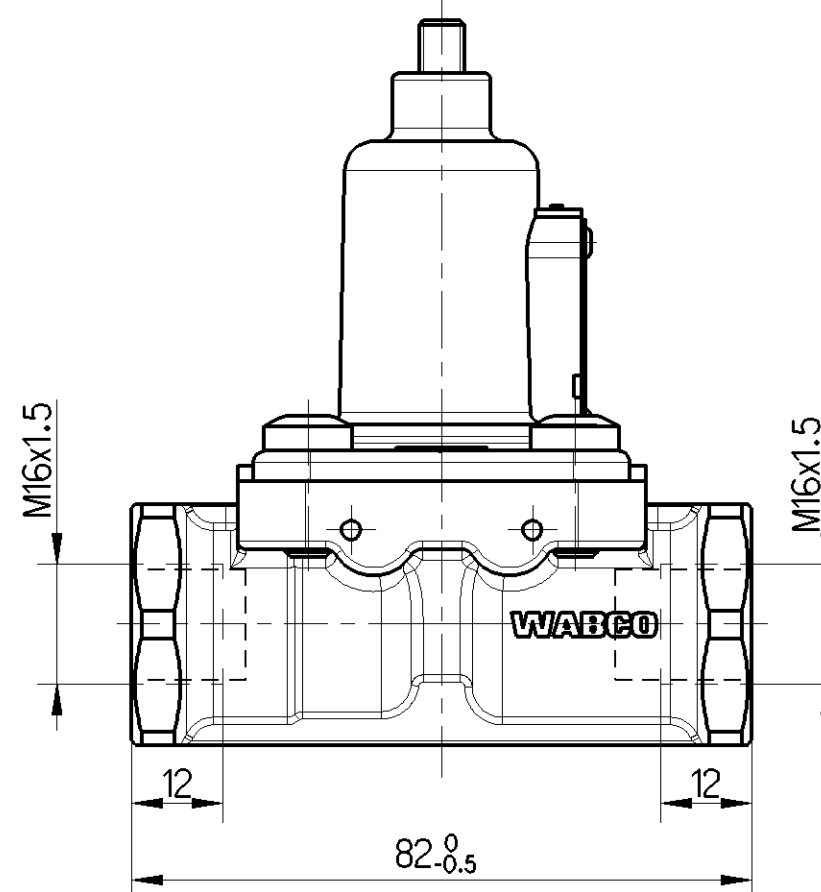
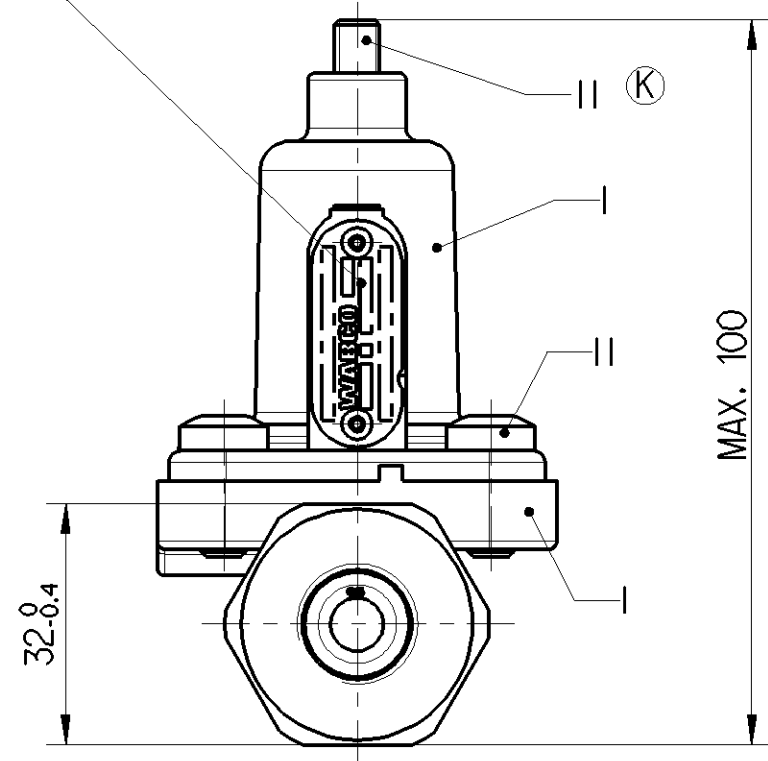


SURFACE PROTECT.  
OBERFL. SCHUTZ

I	JED-260
II	JED-256-1 (K)

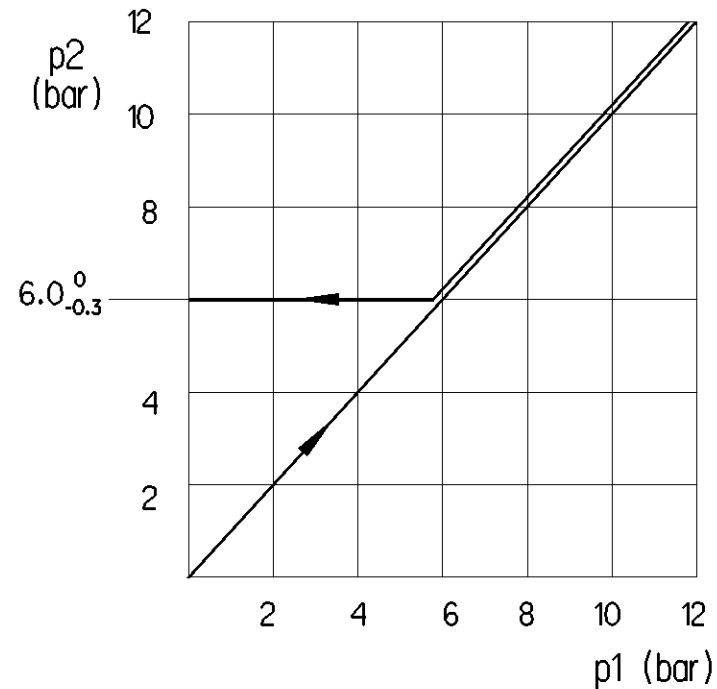
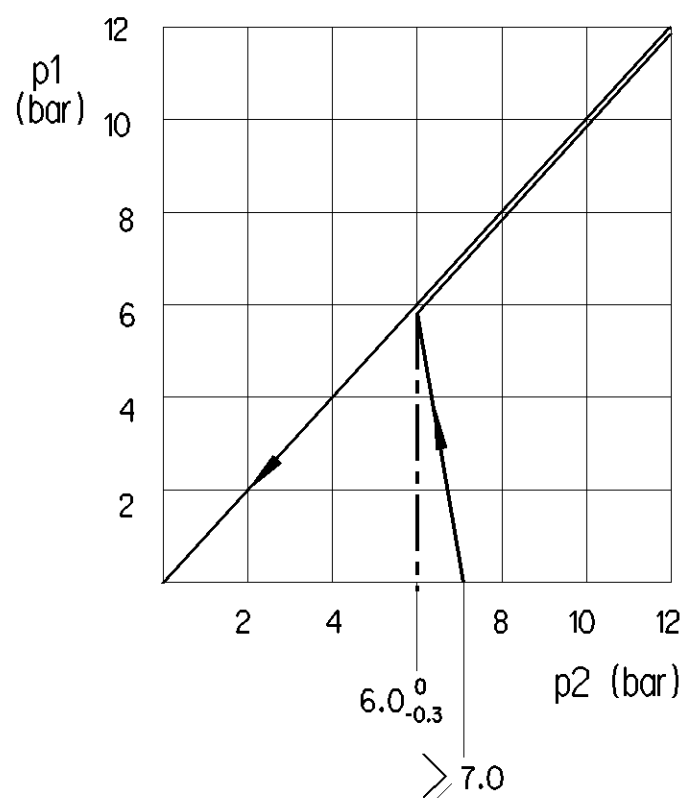
IDENTIFICATION ACCORDING TO:  
KENNZEICHNUNG NACH: JED-341  
IDENTIFICATION SUIVANT:  
INDICAZIONE SECONDO:



- 1 CUSTOMER NO. OR COUNTRY OF ORIGIN  
KUNDEN-NR. KZ ODER WARENURSPRUNGSLAND
- 2 MANUFACTURING PLANT  
PRODUKTIONSSTAETTE JED-225
- 3 WEEK / YEAR OF MANUFACTURE  
FERTIGUNGSWOCHE / -JAHR
- 4 WABCO-DEVICE NUMBER  
WABCO-GERAETE NUMMER

DIRECTION OF FLOW  
DURCHSTROEMRICHTUNG  
SENS DE PASSAGE  
SENSO DI FLUSSO

DIRECTION OF FLOW  
DURCHSTROEMRICHTUNG  
SENS DE PASSAGE  
SENSO DI FLUSSO



WORKING PRESSURE:  
BETRIEBSDRUCK:  $P_e = \text{MAX. } 13 \text{ bar}$   
PRESSION DE SERVICE:  
PRESSIONE D'ESERCIZIO:

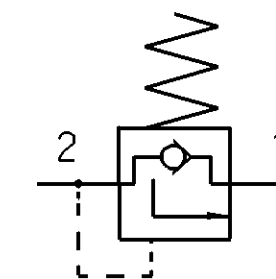
CLOSING PRESSURE:  
SCHLIESSDRUCK:  $P_e = 6.0_{-0.3}^0 \text{ bar}$   
PRESSION DE FERMETURE:  
PRESSIONE DI CHIUSURA:

THERMAL RANGE OF APPLICATION:  
TERMISCHER ANWENDUNGSBEREICH:  $-40^\circ\text{C} \dots +80^\circ\text{C}$   
GAMME D'APPLICATION THERMIQUE:  
CAMPO DI APPLICAZIONE TERMICA:

MEDIUM: AIR  
MEDIUM: LUFT  
FLUIDE: AIR  
FLUIDO: ARIA

NOMINAL DIAMETER:  
NENNWEITE:  $\varnothing 7 \text{ mm} = 38 \text{ mm}^2$   
DIAMETRE NOMINAL:  
DIAMETRO NOMINALE:

WITH LIMITED RETURN FLOW  
MIT BEGRENZTER RUECKSTROEMUNG  
AVEC RETOUR LIMITE  
CON RITORNO LIMITATO



SUPPLY  
1 ENERGIEZUFLOSS  
ALIMENTATION  
ALIMENTAZIONE

DELIVERY  
2 ENERGIEABFLUSS  
UTILISATION  
MANDATA

TORQUE FOR CONNECTIONS:  
ANZUGSMOMENT FUER EINSCHRAUBSTUTZEN:  $M16x1.5: M_{\text{max.}} = 53 \text{ Nm}$   
COUPLE DE SERRAGE DES RACCORDS:  
COPPIA DI SARRAGGIO DEI RACCORDI:

General Specification: JED-334-1, Size ISO 14405 LP		Copyright WABCO®		<b>WABCO</b>	
Further Technical Data:		Date	Signature	CHARGING VALVE UEBERSTROEMVENTIL VALVE DE BARRAGE VALVOLA DI PRESSA D'ARIA	
Doc. Code:	Sheet: To	2015-07-16	Cwielkalski	Material No. 434 100 505 0	
General Tolerances JED-261		2015-07-24	Chamol	Date of first issue: 2009-08-12	
Range of Nominal Dimensions ( ± mm )		Expert Gontarz		Doc. Code Language Sheet	
Class 1)	≤ 50 > 50 > 180 > 400 > 400	Mtrs Scale		005 ML 1/1	
Fine	0.5 1.0 1.5 2.0	0.492 KG		Revision 5 x K	
Medium	1.0 2.0 3.0 4.0	1:1		Techn. Resp. 5120	
Coarse	2.0 3.5 5.0 6.5	Size CAD System		Replacement for	
Tapped Holes acc.		A 2	CREO	ECN-No. 165455	
1) Tolerance Class Applied Crossmarked		A 2 CREO		Revision 5 x K	

100mm