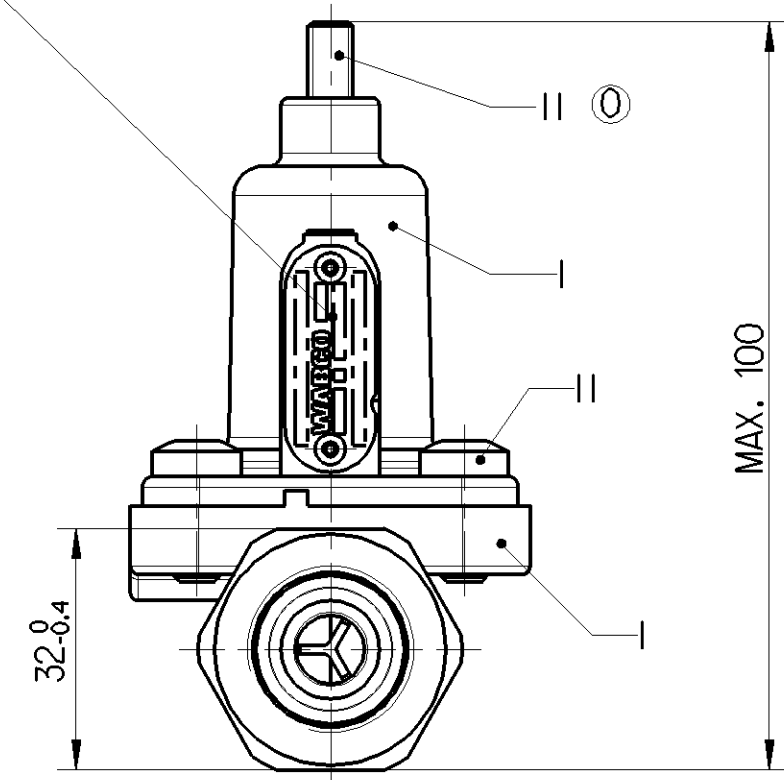


SURFACE PROTECT.  
OBERFL. SCHUTZ

I	JED-260
II	JED-256-1

IDENTIFICATION ACCORDING TO:  
KENNZEICHNUNG NACH:  
IDENTIFICATION SUIVANT:  
INDICAZIONE SECONDO:

JED-341



TORQUE FOR CONNECTIONS:  
ANZUGSMOMENT FUER EINSCHRAUBSTUTZEN: M22x1.5:  $M_{max.} = 53 \text{ Nm}$   
COUPLE DE SERRAGE DES RACCORDS:  
COPPIA DI SARRAGGIO DEI RACCORDI:

WORKING PRESSURE:  
BETRIEBSDRUCK:  $P_e = \text{MAX. } 13 \text{ bar}$   
PRESSION DE SERVICE:  
PRESSIONE D'ESERCIZIO:

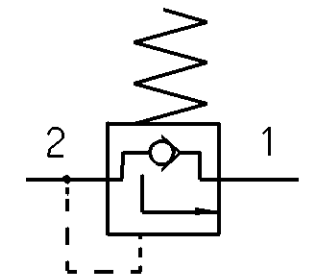
THERMAL RANGE OF APPLICATION:  
TERMISCHER ANWENDUNGSBEREICH:  $-40^\circ\text{C} \dots +80^\circ\text{C}$   
GAMME D' APPLICATION THERMIQUE:  
CAMPO DI APPLICAZIONE TERMICA:

MEDIUM: AIR  
MEDIUM: LUFT  
FLUIDE: AIR  
FLUIDO: ARIA

NOMINAL DIAMETER:  
NENNWEITE:  $\varnothing 8 \text{ mm} = 50 \text{ mm}^2$   
DIAMETRE NOMINAL:  
DIAMETRO NOMINALE:

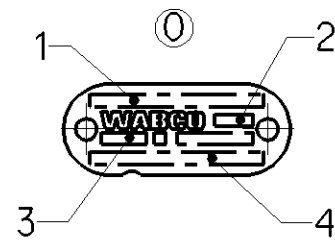
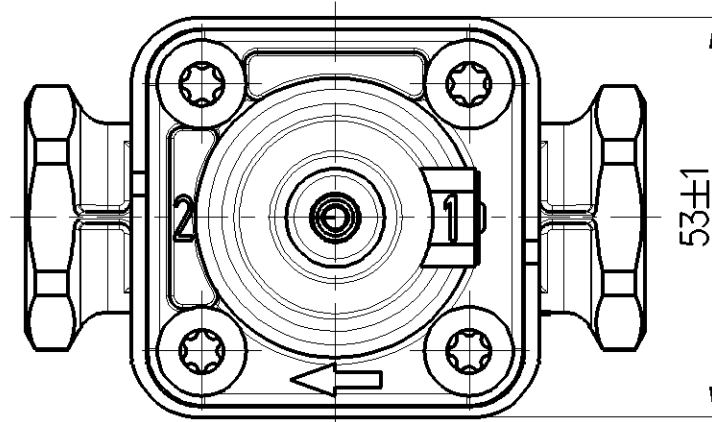
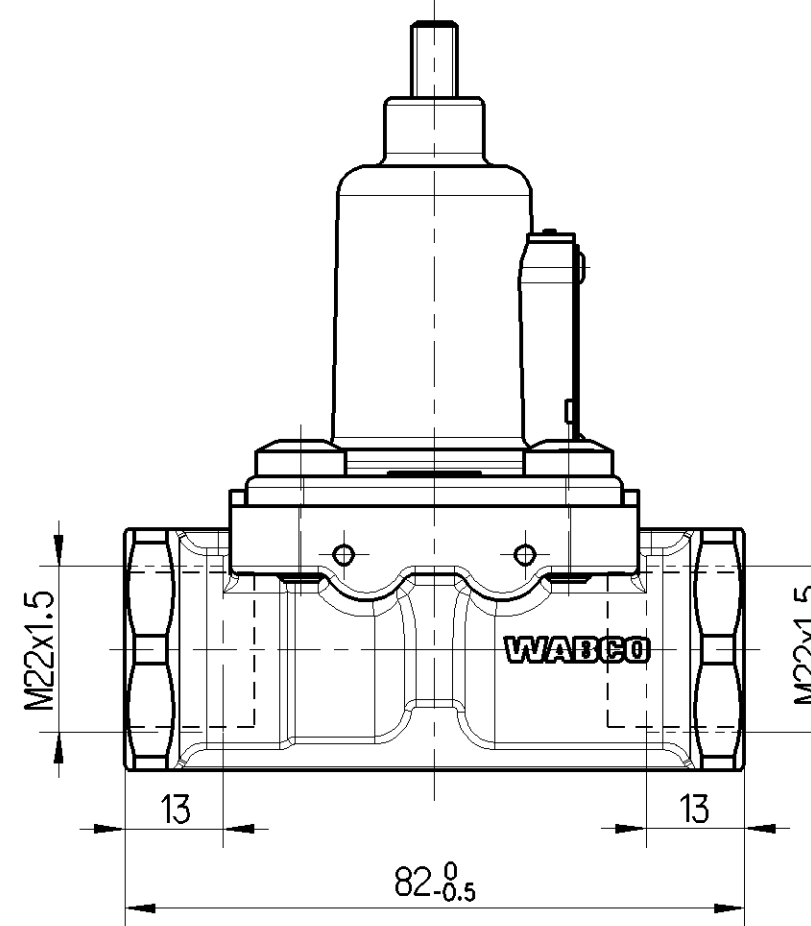
CLOSING PRESSURE:  
SCHLIESSDRUCK:  $P_e = 5.5 \pm 0.3 \text{ bar}$   
PRESSION DE FERMETURE:  
PRESSIONE DI CHIUSURA:

WITH LIMITED RETURN FLOW  
MIT BEGRENZTER RUECKSTROEMUNG  
AVEC RITORNO LIMITE  
CON RITORNO LIMITATO



OPENING PRESSURE:  
OEFFNUNGSDRUCK:  $\text{MAX. } P_e = 0.4 \text{ bar}$   
PRESSION D'OUVERTURE:  
PRESSIONE DI APERTURA:

SUPPLY  
1 ENERGIEZUFLOSS  
ALIMENTATION  
ALIMENTAZIONE  
DELIVERY  
2 ENERGIEABFLUSS  
UTILISATION  
MANDATA

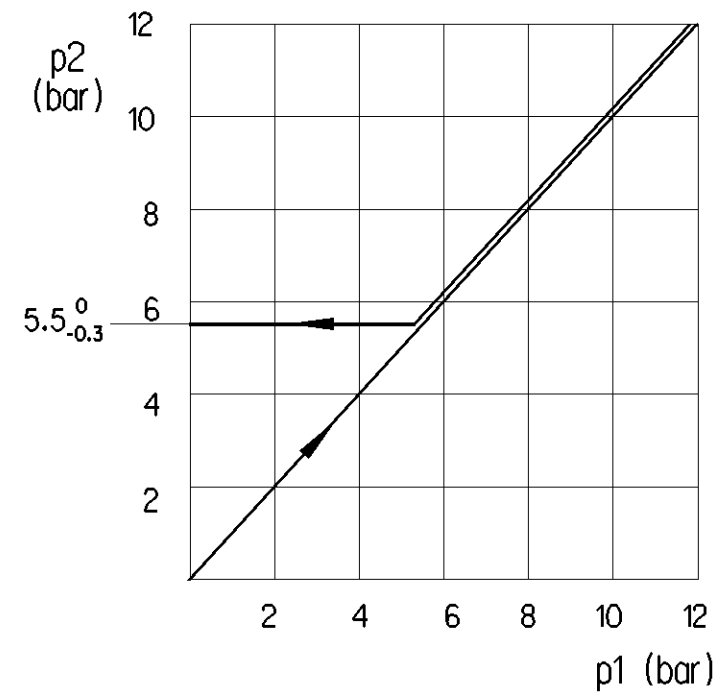
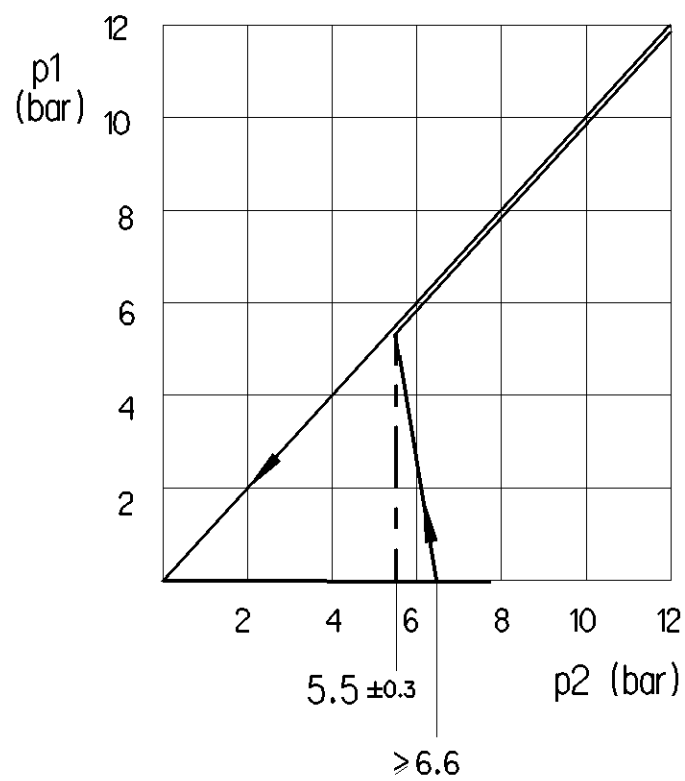


- 1 CUSTOMER NO. OR COUNTRY OF ORIGIN  
KUNDEN-NR. KZ ODER WARENURSPRUNGSLAND
- 2 MANUFACTURING PLANT  
PRODUKTIONSSTAETTE JED-225
- 3 WEEK / YEAR OF MANUFACTURE  
FERTIGUNGSWOCHE / -JAHR
- 4 WABCO-DEVICE NUMBER  
WABCO-GERAETE NUMMER

DIRECTION OF FLOW  
DURCHSTROEMRICHTUNG  
SENS DE PASSAGE  
SENSO DI FLUSSO



DIRECTION OF FLOW  
DURCHSTROEMRICHTUNG  
SENS DE PASSAGE  
SENSO DI FLUSSO



General Specification: JED-334-1, Size ISO 14405 LP		Copyright WABCO®		<b>WABCO</b>	
Further Technical Data:		Date	Signature	CHECK VALVE	
Doc. Code:	Sheet: To	2015-07-16	Cwitalski	RUECKSCHLAGVENTIL	
General Tolerances JED-261		2015-07-24	Chamol	VALVE DE RETENUE	
Class 1) ≤ 50 > 50 > 180 > 400 > 400		Expert		VALVOLA DI RETENUTA	
Fine 0.5 1.0 1.5 2.0		Gontarz		Material No.	
Medium X 1.0 2.0 3.0 4.0		Gontarz		Date of first issue: 2009-08-12	
Coarse 2.0 3.5 5.0 6.5		Gontarz		Doc. Code Language Sheet	
Tapped Holes acc.		Gontarz		005 ML 1/1	
1) Tolerance Class Applied Crossmarked		Gontarz		ECN-No. Revision Techn. Resp. Replacement for	
		Gontarz		165455 5 x 0 5120	

100mm

Non e permesso copiare o terzi o riprodurre questo documento, ne utilizzare il contenuto o renderlo comunque noto a terzi senza permesso scritto dalla WABCO. E' vietata espressamente la ristampa o l'uso non autorizzato senza permesso scritto dalla WABCO. Toute communication ou reproduction de ce document, toute exploitation ou communication de son contenu sont interdites, sauf autorisation expresse de la WABCO. Toute utilisation non autorise sans le consentement de la WABCO est formellement interdite.

Toute communication ou reproduction de ce document, toute exploitation ou communication de son contenu sont interdites, sauf autorisation expresse de la WABCO. Toute utilisation non autorise sans le consentement de la WABCO est formellement interdite.