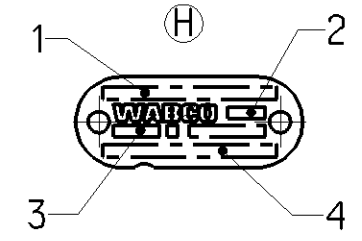
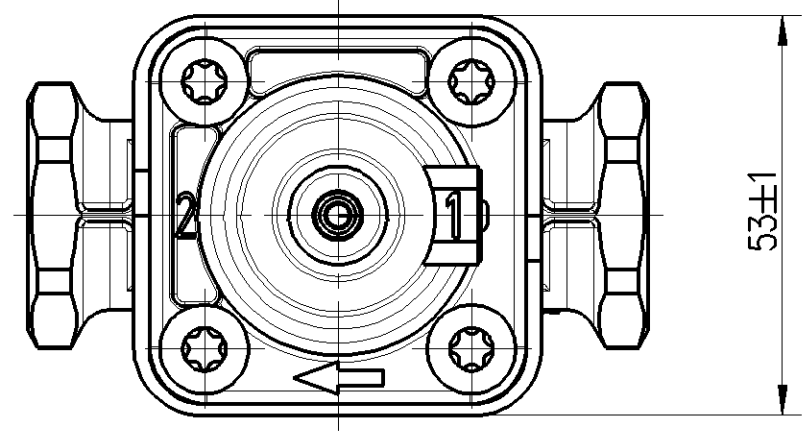
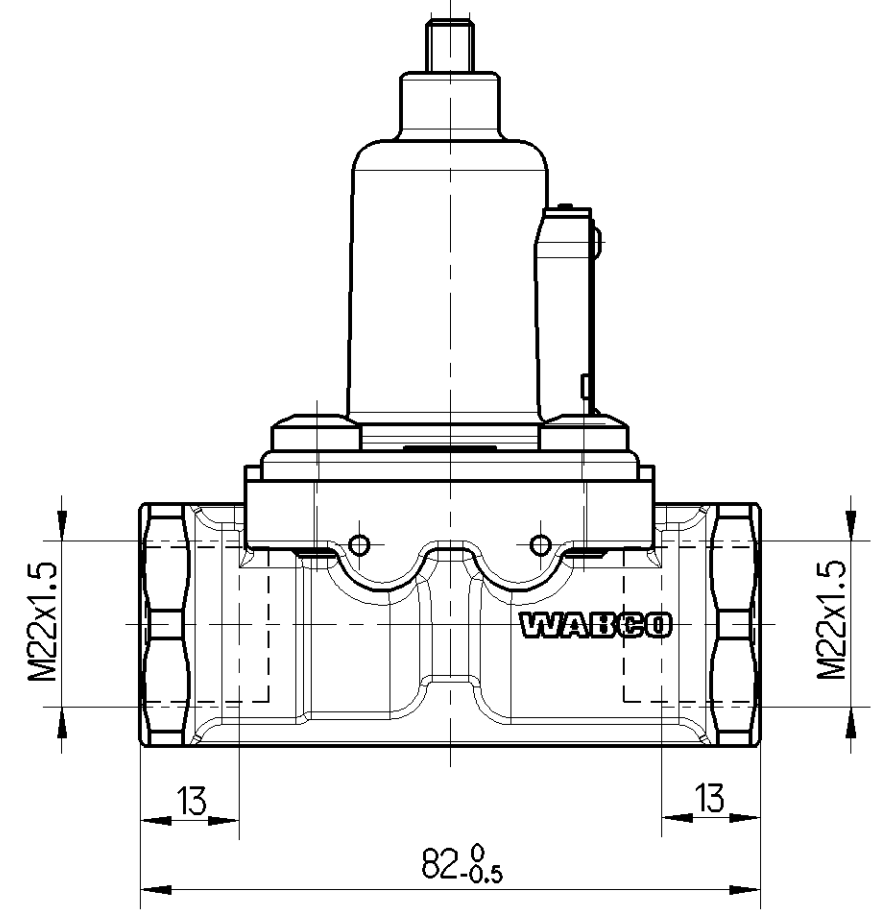
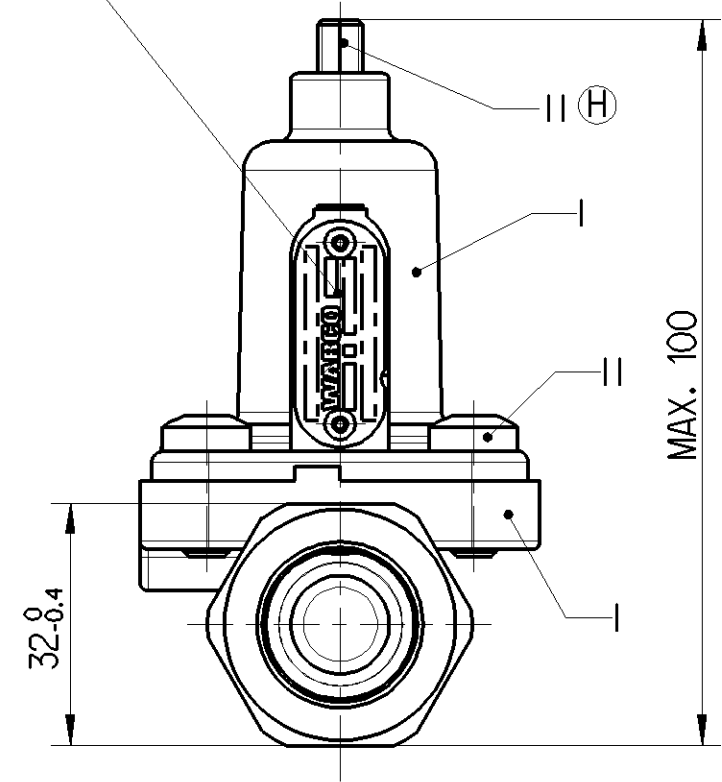


SURFACE PROTECT.
OBERFL. SCHUTZ

| | |
|----|---------------|
| I | JED-260 |
| II | JED-256-1 (H) |

IDENTIFICATION ACCORDING TO:
KENNZEICHNUNG NACH: JED-341
IDENTIFICATION SUIVANT:
INDICAZIONE SECONDO:



- (H) 1 CUSTOMER NO. OR COUNTRY OF ORIGIN
KUNDEN-NR. KZ ODER WARENURSPRUNGLAND
- 2 MANUFACTURING PLANT
PRODUKTIONSSTAETTE JED-225
- 3 WEEK / YEAR OF MANUFACTURE
FERTIGUNGSWOCHE / -JAHR
- 4 WABCO-DEVICE NUMBER
WABCO-GERAETE NUMMER

WORKING PRESSURE:
BETRIEBSDRUCK: $P_e = \text{MAX. } 13 \text{ bar}$
PRESSION DE SERVICE:
PRESSIONE D'ESERCIZIO:

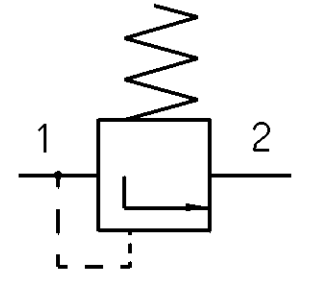
CHARGING PRESSURE:
UEBERSTROEMDRUCK: $P_e = 10^{+0.5}_{-1} \text{ bar } (P_2 = 0 \text{ bar})$
PRESSION DE BARRAGE:
PRESSIONE DI PRESA:

THERMAL RANGE OF APPLICATION:
TERMISCHER ANWENDUNGSBEREICH: $-40^\circ\text{C.} \dots +80^\circ\text{C}$
GAMME D' APPLICATION THERMIQUE:
CAMPO DI APPLICAZIONE TERMICA:

MEDIUM: AIR
MEDIUM: LUFT
FLUIDE: AIR
FLUIDO: ARIA

NOMINAL DIAMETER:
NENNWEITE: $\varnothing 8 \text{ mm} = 50 \text{ mm}^2$
DIAMETRE NOMINAL:
DIAMETRO NOMINALE:

WITHOUT RETURN FLOW
OHNE RUECKSTROEMUNG
SANS RETOUR
SANZA RITORNO



SUPPLY
1 ENERGIEZUFLUSS
ALIMENTATION
ALIMENTAZIONE

DELIVERY
2 ENERGIEABFLUSS
UTILISATION
MANDATA

TORQUE FOR CONNECTIONS:
ANZUGSMOMENT FUER EINSCHRAUBSTUTZEN: $M_{22x1.5}: M_{\text{max.}} = 53 \text{ Nm}$
COUPLE DE SERRAGE DES RACCORDS:
COPPIA DI SARRAGGIO DEI RACCORDI:

| | | | | | | |
|---|-----------------------|------------------|-------------|---------------------------------|----------|--------------|
| General Specification: JED-334-1, Size ISO 14405 LP | | Copyright WABCO® | | WABCO | | |
| Further Technical Data: Product Specification | | Date | Signature | CHARGING VALVE | | |
| Doc. Code: 035 Sheet: 1 To 4 | | 2015-07-16 | Cwielkalski | UEBERSTROEMVENTIL | | |
| General Tolerances JED-261 | | 2015-07-24 | Chamol | VALVE DE BARRAGE | | |
| Range of Nominal Dimensions (± mm) | | Expert | | VALVOLA DI PRESA D'ARIA | | |
| Class 1) | ≤ 50 > 50 > 180 > 400 | Gontarz | | | | |
| Fine | 0.5 1.0 1.5 2.0 | Mtss | Scale | Material No. | | |
| Medium | 1.0 2.0 3.0 4.0 | (H) 0.423 | 1:1 | 434 100 602 0 | | |
| Coarse | 2.0 3.5 5.0 6.5 | Size | CAD System | Date of first issue: 2009-08-12 | | |
| Tapped Holes acc. | | A 2 | CREO | ECN-No. | Revision | Techn. Resp. |
| 1) Tolerance Class Applied Crossmarked | | | | 165455 | 5 x H | 5120 |
| | | | | Doc. Code Language Sheet | | |
| | | | | 005 ML 1/1 | | |
| | | | | Replacement for | | |

Non e permesso consegnare o terzi o riprodurre questo documento, ne utilizzare il contenuto o renderlo comunque noto a terzi senza permesso scritto dalla WABCO. E' vietata espressamente la ristampa o l'uso non autorizzato. E' fatto riserva di tutti i diritti, brevetti o marchi. Copying of this document and giving it to others and the use or communication of the contents thereof, are forbidden without express written permission from WABCO. It is expressly prohibited to reproduce or use the content of this document for any other purpose without the prior written consent of WABCO. All rights reserved in the event of the grant of patent or registration of a utility model or design. This document is the subject of copyright.

Toute communication ou reproduction de ce document, toute exploitation ou communication de son contenu sont interdites, sauf autorisation expresse. Tout manquement a cette regle constitue un abus evident et expose son auteur au versement de dommages et interests. Tous droits de propriété industrielle reserves, notamment en matière de brevets et de modèles. Weitergabe sowie Vervielfaelligung dieser Unterlagen, Verwertung und Mitteilung ihres Inhalts nicht gestattet, soweit nicht ausdrücklich zugestimmt. Zuwiderhandlungen stellen einen strafrechtlichen Missbrauch dar und verpflichten zu Schadensersatz. Alle Rechte fuer den Fall der Patentierung oder Gebrauchsmuster-Eintragung vorbehalten.

100mm