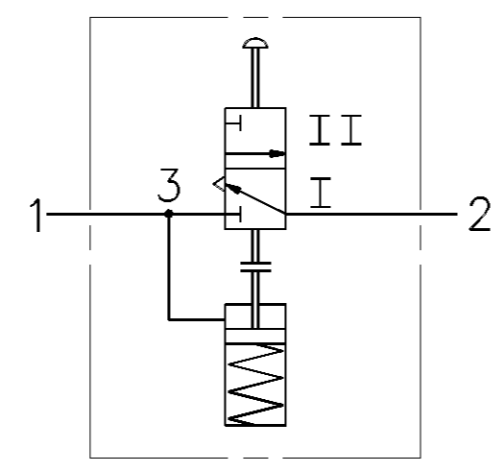
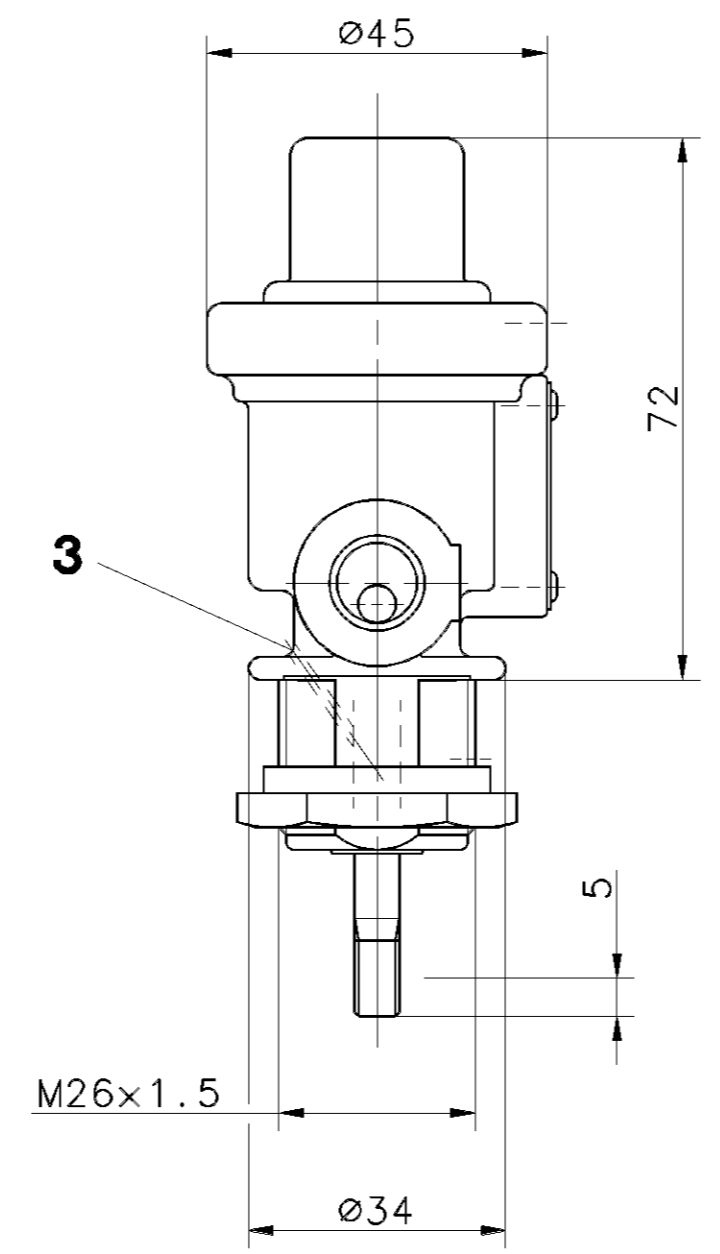
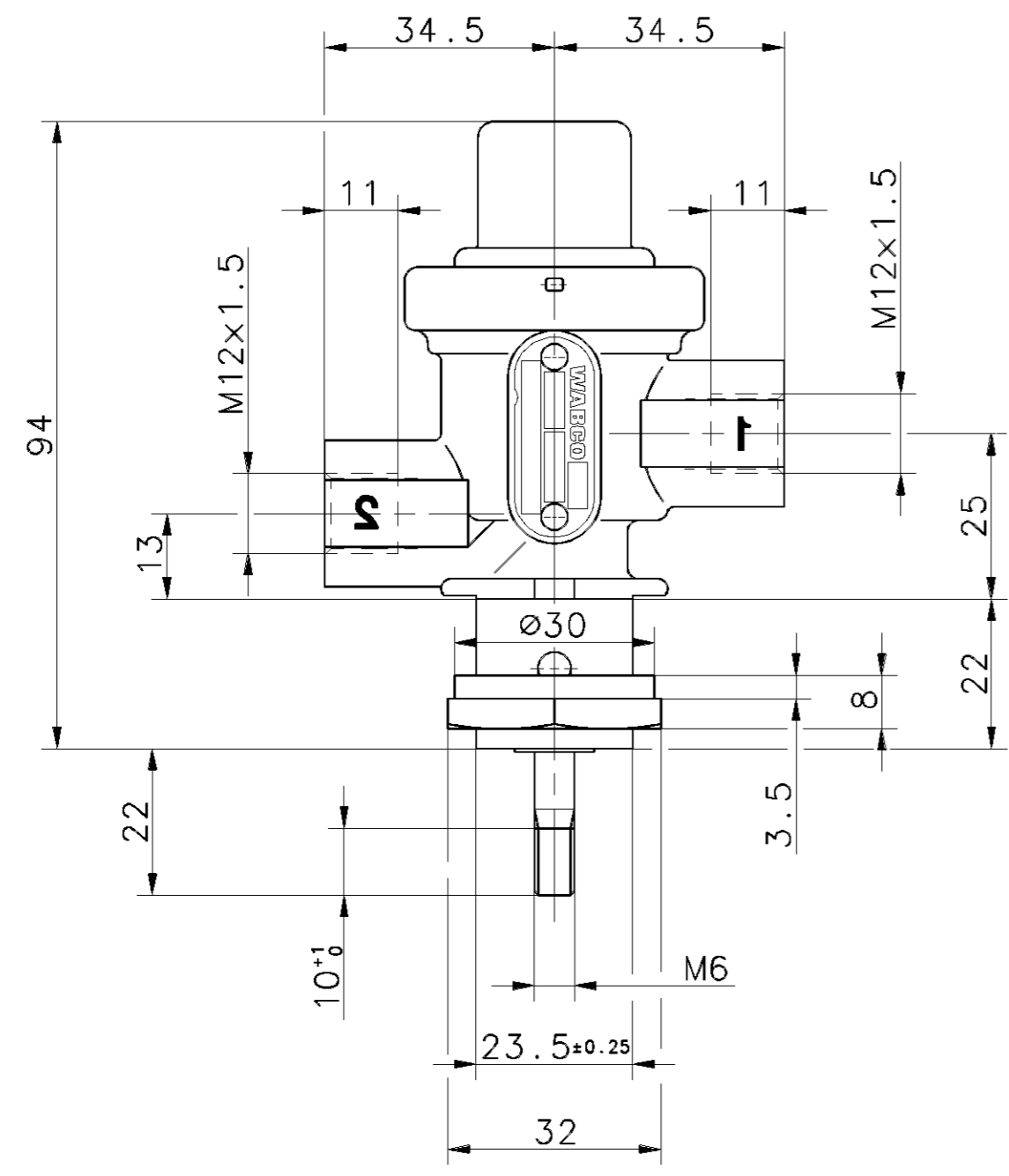


NON È PERMESSO CONCESSIONE A TERZI O RIPRODURRE QUESTO DOCUMENTO, NE UTILIZZARNE IL CONTENUTO O RENDERSI RESPONSABILI PER QUALSIASI DANNI, PERDITE O GUASTI, DERIVANTI DA ABUSO O COMPORTERA IL RISARCIMENTO DEI DANNI SUBITI. È FATTA RISERVA DI TUTTI I DIRITTI DERIVANTI DA BREVETTI O MODELLI.
 COPIING OF THIS DOCUMENT AND CIRCULATING IT TO OTHERS AND THE USE OR COMMUNICATION OF THE CONTENTS THEREOF, WITHOUT THE WRITTEN PERMISSION OF THE DRAWING OFFICE, IS PROHIBITED. ALL RIGHTS ARE RESERVED IN THE EVENT OF THE GRANT OF PATENT OR REGISTRATION OF A UTILITY MODEL OR DESIGN. THIS DOCUMENT IS THE SUBJECT OF COPYRIGHT.



- 1 FROM RESERVOIR
VOM BEHAELTER
DU RESERVOIR
DEL SERBATOIO
- 2 TO HAND OPERATED BRAKE VALVE
ZUM HANDBREMSVENTIL
AU ROBINET DE FREINAGE A MAIN
AL RUBINETTO DI COMANDO A MANO
- 3 EXHAUST
ENTLUEFTUNG
ECHAPPEMENT
SCARICO

MEDIUM : AIR
 MEDIUM : LUFT
 FLUIDE : AIR
 FLUIDO : ARIA

MAX. PERMISSIBLE WORKING PRESSURE :
 MAX. ZULAESSIGER BETRIEBSDRUCK :
 PRESSION D'UTILIZATION MAXI ADMISSIBLE : $p_e = 10 \text{ bar}$
 PRESSIONE DI ESERCIZIO MAX. AMMISSIBILE :

NOMINAL DIAMETER :
 NENNWEITE :
 DIAMETRE NOMINAL :
 DIAMETRO NOMINALE : $\text{min} = 19.6 \text{ mm} (\approx \varnothing 5 \text{ mm})$

THERMAL RANGE OF APPLICATION :
 THERMISCHER ANWENDUNGSBEREICH :
 GAMME D'APPLICATION THERMIQUE : $-40^\circ\text{C} \dots +80^\circ\text{C}$
 CAMPO DI APPLICAZIONE THERMICA :

OPERATING FORCE :
 BETAETIGUNGSKRAFT :
 EFFORT DE COMMANDE :
 FORZA DI COMANDO : $\text{max. } 70 \text{ N (7bar)}$

CHANGE - OVER AT PRESSURE DROP BELOW $4.0_{\pm 0.6} \text{ bar}$
 LINE "1" CLOSED, LINE "2" EXHAUSTED
 UMSCHALTUNG BEI ABFALL DES DRUCKES UNTER $4.0_{\pm 0.6} \text{ bar}$
 LEITUNG "1" GESCHLOSSEN, LEITUNG "2" ENTLUEFTET
 CHANGEMENT A UNE CHUTE DE PRESSION AU- DESSOUS DE $4.0_{\pm 0.6} \text{ bar}$
 CONDUITE "1" FERMEE, CONDUITE "2" ECHAPPEMENT
 CAMBIAMENTO ALLA CADUTA DI PRESSIONE SOTTO DI $4.0_{\pm 0.6} \text{ bar}$
 CONDOTTA "1" CHIUSA, CONDOTTA "2" SCARICO

IF THE RESERVOIR PRESSURE IS HIGHER THAN 4bar OPERATING CONDITION
 MAY BE RESTORED BY PUSHING THE KNOB
 BETRIEBSBEREITSCHAFT KANN DURCH DRUECKEN DES KNOPFES
 WIEDERHERGESTELLT WERDEN, WENN DER BEHAELTERDRUCK GROESSER ALS 4bar IST
 SE LA PRESSION DANS LE RESERVOIR EST SUPERIEURE A 4bar L'ETAT DE SERVICE
 PEUT ETRE RETABLI EN POUSSANT LE BOUTON
 SE LA PRESSION NEL SERBATOIO E SUPERIORE A 4bar LA CONDIZIONE DI
 FUNZIONAMENTO PUO ESSERE RIPRISTINATA PULSANDO IL BOTTONE

GENERAL SPECIFICATION:		JED-334		CADAM-DRAWING COPYRIGHT		WABCO	
FURTHER TECHNICAL DATA:				DATE		SIGNATURE	
DOC. CODE:		SHEET: TO		DRAWN:		00-11-14 VOGES	
GENERAL TOLERANCES				CHECKED:		3/2-DIRECTIONAL CONTROL VALVE	
RANGE OF NOMINAL DIMENSIONS (± mm)				STANDARDIZATION:		3/2-WEGEVENTIL	
CLASS 1)	≤50	> 50 ≤180	>180 ≤400	>400	VALVOLA 3/2		
FINE	0,5	1,0	1,5	2,0	MASS	SCALE	PRODUCT IDENTIFICATION NO.
MEDIUM X	1,0	2,0	3,0	4,0	0.37	1:1	434 205 026 0
COARSE	2,0	3,5	5,0	6,5	KG		DOC. CODE
TAPPED HOLES ACC. ISO 4039 / JED-152		072714 B		0-11-14		605	
1) TOLERANCE CLASS APPLIED CROSSMARKED		DCN-NO.		REV.		DATE	
		A 2		140		1/1	
		SHAPE CODE		REPLACEMENT FOR		434 205 026 0/79-09-03	
		EXPERT CODE		7 1 9		PRODUCT TYPE	
		100mm				0 0 X	

1009/012/3/04-93 605 653