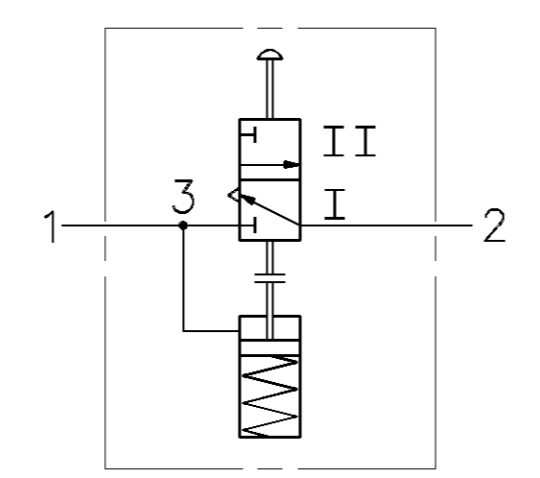
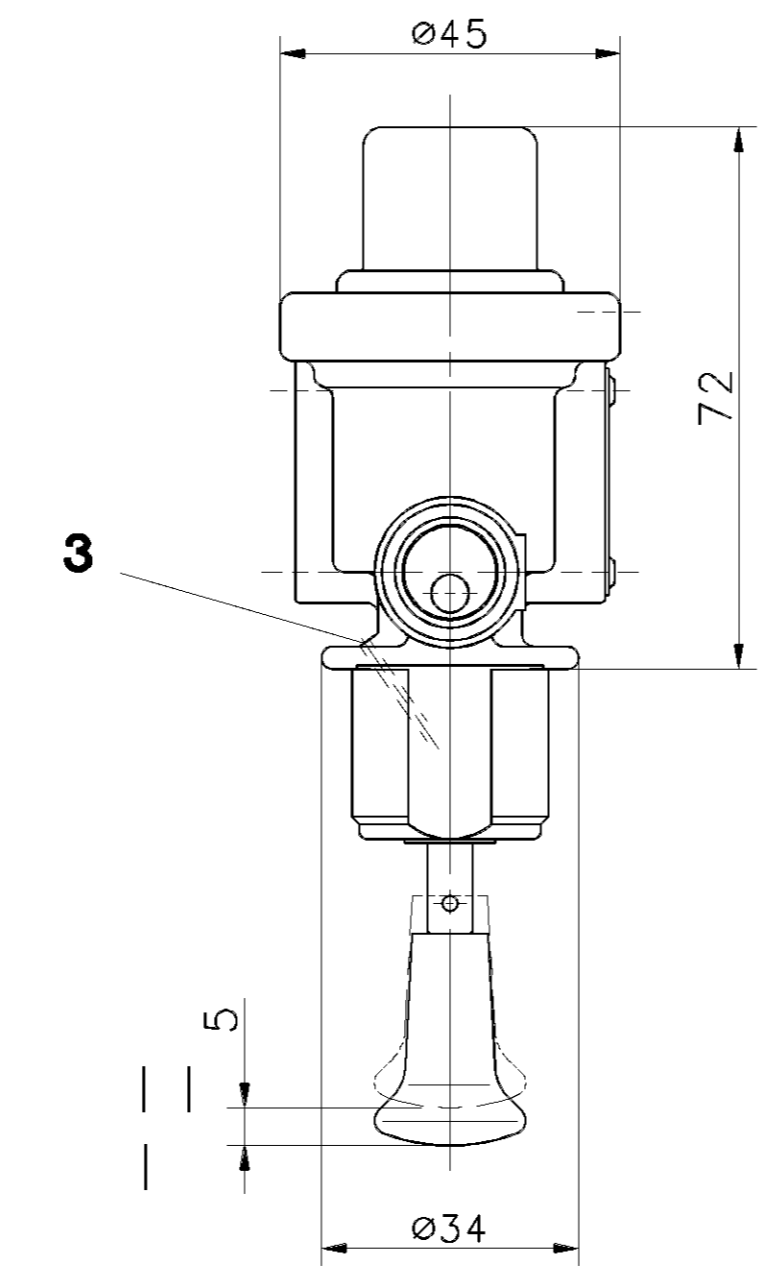
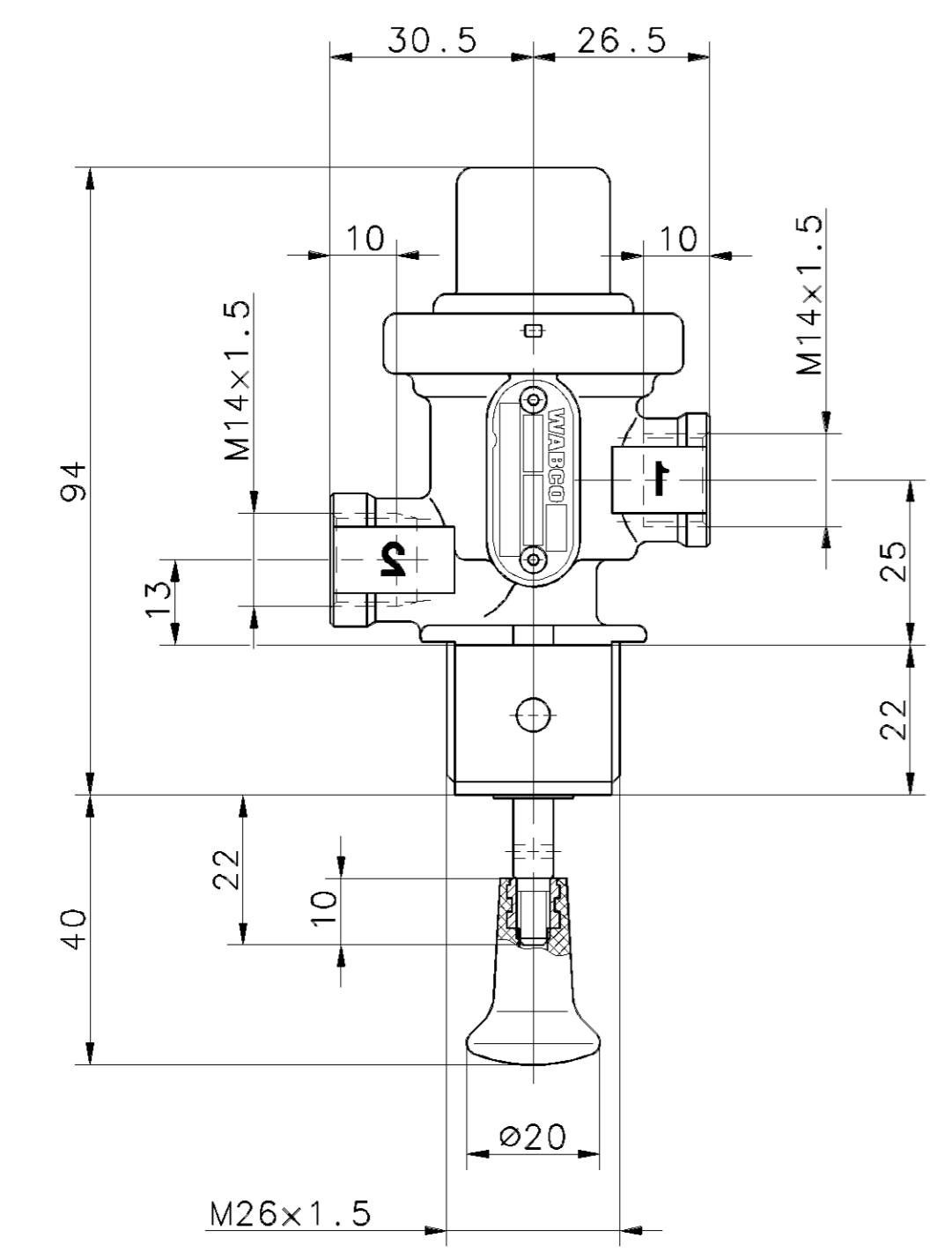


NON È PERMESSO CONCESSIONE A TERZI O RIPRODURRE QUESTO DOCUMENTO, NE UTILIZZARNE IL CONTENUTO O RENDERSI RESPONSABILI PER QUALSIASI DANNI, SUBITI O NON, DERIVANTI DA ABUSO O COMPORTA IL RISARCIMENTO DEI DANNI SUBITI. È FATTA RISERVA DI TUTTI I DIRITTI DERIVANTI DA BREVETTI O MODELLI.
 COPIING OF THIS DOCUMENT AND ITS USE OR COMMUNICATION OF THE CONTENTS THEREOF, WITHOUT THE WRITTEN PERMISSION OF THE MANUFACTURER, IS PROHIBITED. ALL RIGHTS ARE RESERVED IN THE EVENT OF THE ABUSE AND RESULT IN A LIABILITY TO THE PAYMENT OF DAMAGES. ALL RIGHTS ARE RESERVED IN THE EVENT OF THE GRANT OF PATENT OR REGISTRATION OF A UTILITY MODEL OR DESIGN. THIS DOCUMENT IS THE SUBJECT OF COPYRIGHT.

TOUTE COMMUNICATION OU REPRODUCTION DE CE DOCUMENT, TOUTE EXPLOITATION OU COMMUNICATION DE SON CONTENU, SANS LE PERMIS ÉCRIT DU FABRICANT, EST INTERDITE. IL EST RÉSERVÉ TOUS DROITS DE PROPRIÉTÉ INDUSTRIELLE RÉSERVÉS, NOTAMMENT EN MATIÈRE DE BREVETS ET DE MODÈLES.
 WELLEGABE SOWIE VERVIELFÄLTIGUNG DIESER UNTERLAGE, WERBUNG UND MITTEILUNG IHRES INHALTS NICHT OHNE SCHRIFTLICHE ZULASSUNG DES HERSTELLERS IST VERBODEN. ALLE RECHTE WERDEN FÜR DEN FALL DER PATENTIERUNG ODER GEBRAUCHSMUSTER-EINTRAGUNG VORBEHALTEN.

- 1** FROM RESERVOIR
VOM BEHAELTER
DU RESERVOIR
DEL SERBATOIO
- 2** TO HAND OPERATED BRAKE VALVE
ZUM HANDBREMSVENTIL
AU ROBINET DE FREINAGE A MAIN
AL RUBINETTO DI COMANDO A MANO
- 3** EXHAUST
ENTLUEFTUNG
ECHAPPEMENT
SCARICO



MEDIUM : AIR
 MEDIUM : LUFT
 FLUIDE : AIR
 FLUIDO : ARIA

MAX. PERMISSIBLE WORKING PRESSURE :
 MAX. ZULAESSIGER BETRIEBSDRUCK :
 PRESSION D'UTILIZATION MAXI ADMISSIBLE : $p_e = 10 \text{ bar}$
 PRESSIONE DI ESERCIZIO MAX. AMMISSIBILE :

THERMAL RANGE OF APPLICATION :
 THERMISCHER ANWENDUNGSBEREICH : $-40^\circ\text{C} \dots +80^\circ\text{C}$
 GAMME D'APPLICATION THERMIQUE :
 CAMPO DI APPLICAZIONE TERMICA :

OPERATING FORCE :
 BETAETIGUNGSKRAFT :
 EFFORT DE COMMANDE : MAX. 70 N (7bar)
 FORZA DI COMANDO :

CHANGE - OVER AT PRESSURE DROP BELOW $4-0.6 \text{ bar}$
 LINE "1" CLOSED, LINE "2" EXHAUSTED
 UMSCHALTUNG BEI ABFALL DES DRUCKES UNTER $4-0.6 \text{ bar}$
 LEITUNG "1" GESCHLOSSEN, LEITUNG "2" ENTLUEFTET
 CHANGEMENT A UNE CHUTE DE PRESSION AU- DESSOUS DE $4-0.6 \text{ bar}$
 CONDUITE "1" FERMEE, CONDUITE "2" ECHAPPEMENT
 CAMBIAMENTO ALLA CADUTA DI PRESSIONE SOTTO DI $4-0.6 \text{ bar}$
 CONDOTTA "1" CHIUSA, CONDOTTA "2" SCARICO

IF THE RESERVOIR PRESSURE IS HIGHER THAN 4bar OPERATING CONDITION
 MAY BE RESTORED BY PUSHING THE KNOB
 BETRIEBSBEREITSCHAFT KANN DURCH DRUECKEN DES KNOPFES
 WIEDERHERGESTELLT WERDEN, WENN DER BEHAELTERDRUCK GROESSER ALS 4bar IST
 SE LA PRESSION DANS LE RESERVOIR EST SUPERIEURE A 4bar L'ETAT DE SERVICE
 PEUT ETRE RETABLI EN POUSSANT LE BOUTON
 SE LA PRESSIONE NEL SERBATOIO E SUPERIORE A 4bar LA CONDIZIONE DI
 FUNZIONAMENTO PUO ESSERE RIPRISTINATA PULSANDO IL BOTTONE

GENERAL SPECIFICATION: JED-334		CADAM-DRAWING COPYRIGHT		WABCO	
FURTHER TECHNICAL DATA:		DATE	SIGNATURE		
DOC. CODE:	SHEET: 10	DRAWN: 00-11-14 voges		3/2 DIRECTIONAL CONTR. VALVE	
GENERAL TOLERANCES		CHECKED:		3/2 WEGEVENTIL	
RANGE OF NOMINAL DIMENSIONS (± mm)		STANDARDIZATION:		DISTRIBUTEUR 3/2	
CLASS 1)	≤50	>50 ≤180	>180 ≤400	>400	
FINE	0,5	1,0	1,5	2,0	
MEDIUM	1,0	2,0	3,0	4,0	
COARSE	2,0	3,5	5,0	6,5	
TAPPED HOLES ACC. ISO 4039 / JED-152		072714	C 00-11-14		
1) TOLERANCE CLASS APPLIED CROSSMARKED		DCN-NO.	REV.	DATE	
		A 2	140		
		MASS SCALE		PRODUCT IDENTIFICATION NO.	
		0.39 KG 1:1		434 205 027 0	
		SIZE T.R.I.		DOC. CODE SHEET	
		A 2 140		605 1/1	
		SHAPE CODE		REPLACEMENT FOR	
		EXPERT CODE 7119		434 205 027 0/79-09-06	
		PRODUCT TYPE 00X			