

NON È PERMESSO CONCESSIONE A TERZI O RIPRODURRE QUESTO DOCUMENTO. NE UTILIZZARNE IL CONTENUTO O RENDERSI RESPONSABILI. È CONSIDERATA LA RESPONSABILITÀ DI TUTTI I DIRITTI DERIVANTI DA BREVETTI O MODELLI. COPIING OF THIS DOCUMENT AND USING IT TO OTHERS AND THE USE OF COMMUNICATION OF THE CONTENTS THEREOF, WITHOUT THE WRITTEN PERMISSION OF WABCO, IS PROHIBITED. ALL RIGHTS ARE RESERVED IN THE EVENT OF THE ABUSE AND RESULT IN A LIABILITY TO THE PAYMENT OF DAMAGES. GRANT OF PATENT OR REGISTRATION OF A UTILITY MODEL OR DESIGN THIS DOCUMENT IS THE SUBJECT OF COPYRIGHT.

TOILE COMMUNICATION OU REPRODUCTION DE CE DOCUMENT, TOUTE EXPLOITATION OU COMMUNICATION DE SON CONTENU, SANS LE CONSENTEMENT ÉCRIT DE WABCO, EST INTERDITE. IL EST CONSIDÉRÉ QUE TOUS DROITS DE PROPRIÉTÉ INDUSTRIELLE SONT RÉSERVÉS, NOTAMMENT EN MATIÈRE DE BREVETS ET DE MODÈLES. WELLEGABE SOMME VEREINFÄELTUNG OLSER UNTERLAGEN, VERBREITUNG UND MITTEILUNG IHRES INHALTS NICHT OHNE SCHRIFTLICHE ZULASSUNG VON WABCO. ALLE RECHTE SIND VORBEHALTEN. ALLE RECHTE SIND VORBEHALTEN. ALLE RECHTE SIND VORBEHALTEN. ALLE RECHTE SIND VORBEHALTEN.

MATERIAL AND SURFACE PROTECTION	
I	JED-021M3 / JED-257
II	JED-048M1 / JED-371-1
III	JED-051M1 / JED-739-3
IV	JED-004M / JED-260
V	JED-019M / JED-259
VI	JED-020M / JED-258

MEDIUM : AIR
 MEDIUM : LUFT
 FLUIDE : AIR
 FLUIDO : ARIA

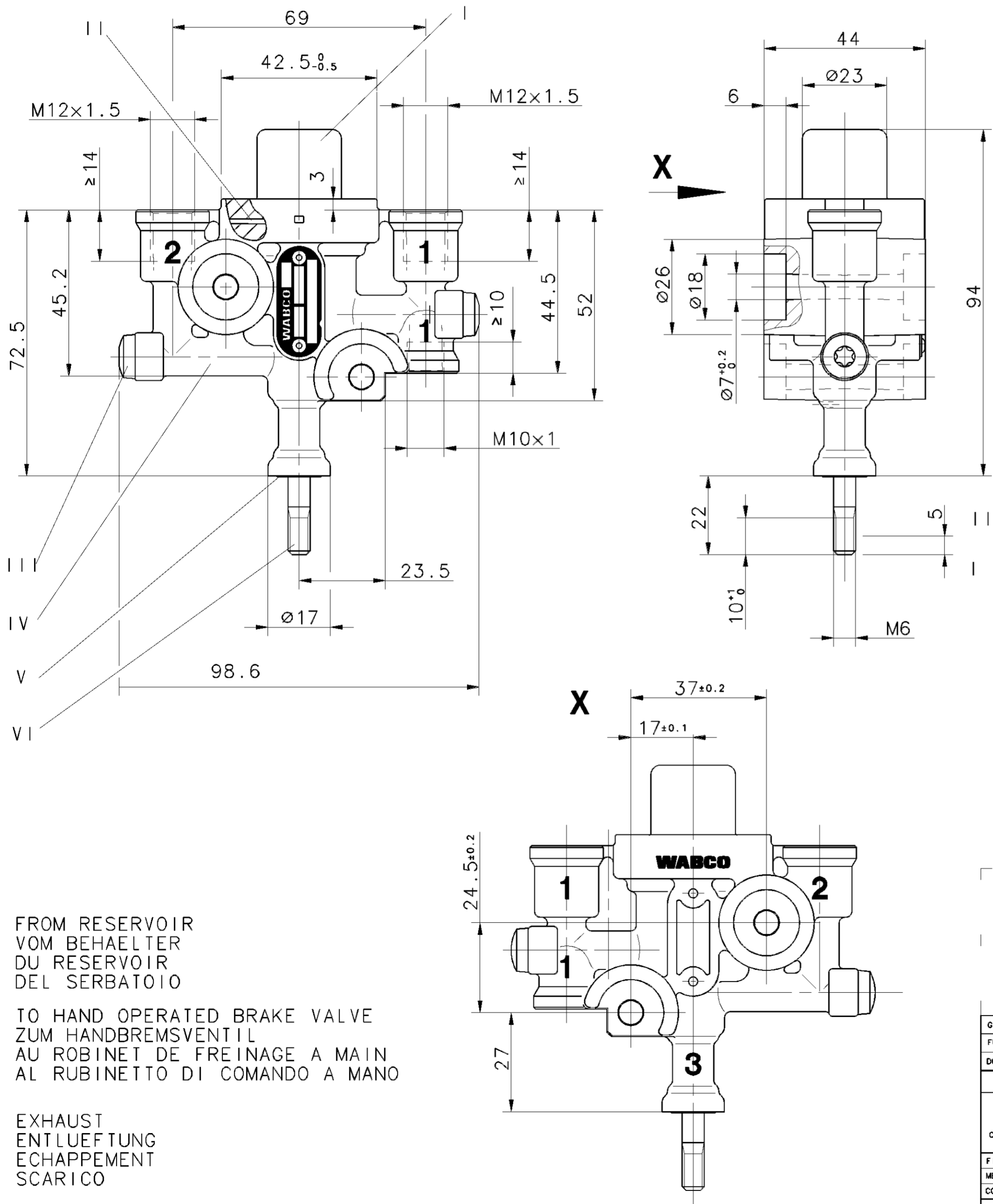
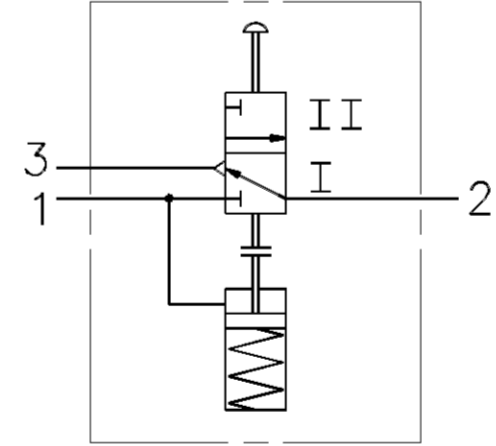
MAX. PERMISSIBLE WORKING PRESSURE :
 MAX. ZULAESSIGER BETRIEBSDRUCK :
 PRESSION D'UTILIZATION MAXI ADMISSIBLE : $p_e = 10 \text{ bar}$
 PRESSIONE DI ESERCIZIO MAX. AMMISSIBLE :

THERMAL RANGE OF APPLICATION :
 THERMISCHER ANWENDBEREICH : $-40^\circ\text{C} \dots +80^\circ\text{C}$
 GAMME D'APPLICATION THERMIQUE :
 CAMPO DI APPLICAZIONE THERMICA :

OPERATING FORCE :
 BETAETIGUNGSKRAFT :
 EFFORT DE COMMANDE : MAX. 70 N (7bar)
 FORZA DI COMANDO :

CHANGE-OVER (LINE "1" CLOSED, LINE "2" EXHAUSTED)
 AT PRESSURE DROP BELOW
 UMSCHALTUNG (LEITUNG "1" GESCHLOSSEN, LEITUNG "2" ENTLUEFTET)
 BEI ABFALL DES DRUCKES UNTER
 CHANGEMENT (CONDUITE "1" FERMEE, CONDUITE "2" ECHAPPEMENT) 4.8 bar
 A UNE CHUTE DE PRESSION AU-DESSOUS DE
 CAMBIAMENTO (CONDOTTA "1" CHIUSA, CONDOTTA "2" SCARICO)
 ALLA CADUTA DI PRESSIONE SOTTO DI

IF THE RESERVOIR PRESSURE IS HIGHER THAN 4bar OPERATING CONDITION
 MAY BE RESTORED BY PUSHING THE KNOB
 BETRIEBSBEREITSCHAFT KANN DURCH DRUECKEN DES KNOPFES
 WIEDERHERGESTELLT WERDEN, WENN DER BEHAELTERDRUCK GROESSER ALS 4bar IST
 SE LA PRESSION DANS LE RESERVOIR EST SUPERIEURE A 4bar L'ETAT DE SERVICE
 PEUT ETRE RETABLI EN POUSSANT LE BOUTON
 SE LA PRESSIONE NEL SERBATOIO E SUPERIORE A 4bar LA CONDIZIONE DI
 FUNZIONAMENTO PUO ESSERE RIPRISTINATA PULSANDO IL BOTTONE



- 1** FROM RESERVOIR
VOM BEHAELTER
DU RESERVOIR
DEL SERBATOIO
- 2** TO HAND OPERATED BRAKE VALVE
ZUM HANDBREMSVENTIL
AU ROBINET DE FREINAGE A MAIN
AL RUBINETTO DI COMANDO A MANO
- 3** EXHAUST
ENTLUEFTUNG
ECHAPPEMENT
SCARICO

GENERAL SPECIFICATION: JED-334				CADAM-DRAWING COPYRIGHT		WABCO	
FURTHER TECHNICAL DATA:				DATE	SIGNATURE		
DOC. CODE:				DRAWN:		3/2-DIRECTIONAL CONTROL VALVE	
SHEET: TO				CHECKED:		3/2-WEGEVENTIL	
GENERAL TOLERANCES				STANDARDIZATION:		DISTRIBUTOR 3/2	
RANGE OF NOMINAL DIMENSIONS (± mm)				PANTZER		VALVOLA 3/2	
CLASS	1)	≤50	>50 ≤180	092715	4xF	05-12-09	
		≤180	>180 ≤400	081864	1xE	02-02-14	
		>400	>400	081839	1xD	02-01-14	
FINE	X	0,5	1,0	072719	1xC	01-03-14	
MEDIUM		2,0	3,0	TAPPED HOLES ACC. ISO 4039 / JED-152			
COARSE		2,0	3,5	DCN-NO. REV. DATE			
		5,0	6,5	MASS SCALE PRODUCT IDENTIFICATION NO.			
1) TOLERANCE CLASS APPLIED CROSSMARKED				A 2		530	
				0.34 kg		1:1	
				SIZE T.R.I.		434 205 032 0	
				SHAPE CODE		REPLACEMENT FOR	
				EXPERT CODE 818		PRODUCT TYPE 00	