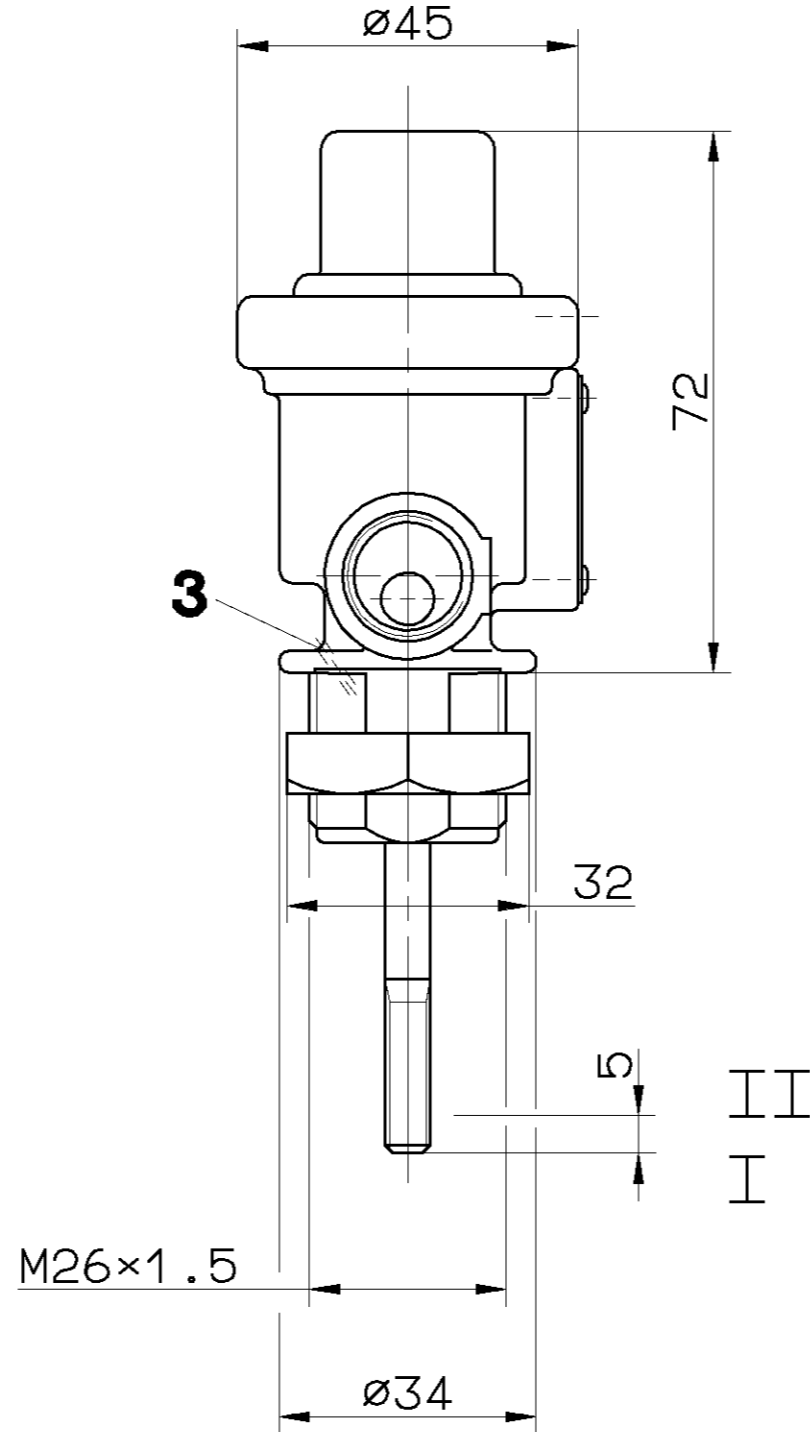
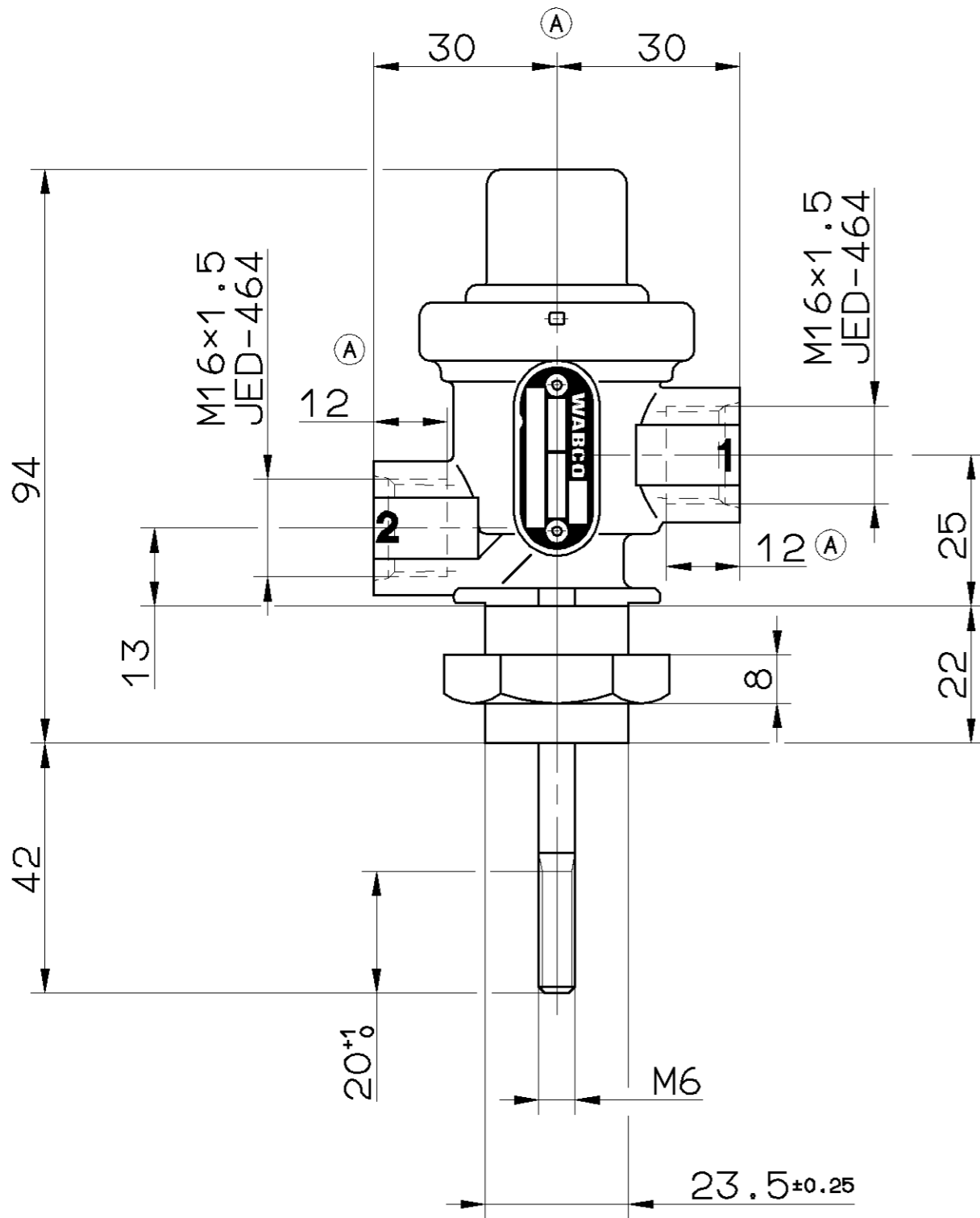


NON È PERMESSO CONSERVARE A TERZI O RIPRODURRE QUESTO DOCUMENTO. NE UTILIZZARE IL CONTENUTO O RES-  
 ALCI O COMMERCIALLY. IL RENDIMENTO DEL MODELLO. E' FATTA RISERVA DA TUTTI I DIRITTI RISERVATI DA  
 BREVETTI O MODELLI.  
 COPIING OF THIS DOCUMENT AND GIVING IT TO OTHERS AND THE USE OF COMMUNICATION OF THE CONTENTS THEREOF,  
 ABUSE AND RESULT IN A LIABILITY TO THE PAYMENT OF DAMAGES. ALL RIGHTS ARE RESERVED IN THE EVENT OF THE  
 GRANT OF PATENT OR REGISTRATION OF A UTILITY MODEL OR DESIGN. THIS DOCUMENT IS THE SUBJECT OF COPYRIGHT.  
 TOUTE COMMUNICATION OU REPRODUCTION DE CE DOCUMENT, TOUTE EXPLOITATION OU COMMUNICATION DE SON CONTE-  
 NUT ET ENCORE SAN AUTRE AU VERSANT DE COMMERCES ET INTERETS A TOUTS DROITS DE PROPRIETE  
 INDUSTRIELLE RESERVE. NOTAMMENT EN MATIERE DE BREVETS ET DE MODELES.  
 WEITERGABE SOWIE VERWERTUNG ODER NUTZUNG AND MITTEILUNG DES INHALTS NICHT  
 MISSBRÄUCH DAR LAD VERPFLICHTEN ZU SCHADENSERZ. ALLE RECHTE FÜR DEN FALL DER PATENTIERUNG ODER  
 GEBRAUCHSMUSTER-EINTRAGUNG VORBEHALTEN.



MEDIUM : AIR  
 MEDIUM : LUFT  
 FLUIDE : AIR  
 FLUIDO : ARIA

MAX. PERMISSIBLE WORKING PRESSURE :  
 MAX. ZULAESSIGER BETRIEBSDRUCK :  
 PRESSION D'UTILIZATION MAXI ADMISSIBLE :  $p_e = 10 \text{ bar}$   
 PRESSIONE DI ESERCIZIO MAX. AMMISSIBILE :

NOMINAL DIAMETER :  
 NENNWEITE :  
 DIAMETRE NOMINAL :  $\varnothing 7 \text{ mm } (\leq 38.5 \text{ mm}^2)$   
 DIAMETRO NOMINALE :

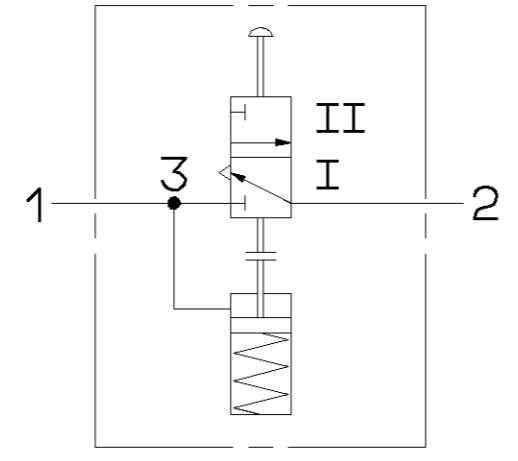
THERMAL RANGE OF APPLICATION :  
 THERMISCHER ANWENDUNGSBEREICH :  $-40^\circ \text{ C} \dots +80^\circ \text{ C}$   
 GAMME D'APPLICATION THERMIQUE :  
 CAMPO DI APPLICAZIONE THERMICA :

OPERATING FORCE :  
 BETAETIGUNGSKRAFT :  
 EFFORT DE COMMANDE :  $\text{MAX. } 70 \text{ N (7bar)}$   
 FORZA DI COMANDO :

CHANGE - OVER AT PRESSURE DROP BELOW  
 LINE "1" CLOSED, LINE "2" EXHAUSTED  
 UMSCHALTUNG BEI ABFALL DES DRUCKES UNTER  
 LEITUNG "1" GESCHLOSSEN, LEITUNG "2" ENTLUEFTET  $4.8 \text{ bar}$   
 CHANGEMENT A UNE CHUTE DE PRESSION AU- DESSOUS DE  
 CONDUITE "1" FERMEE, CONDUITE "2" ECHAPPEMENT  
 CAMBIAMENTO ALLA CADUTA DI PRESSIONE SOTTO DI  
 CONDOTTA "1" CHIUSA, CONDOTTA "2" SCARICO

IF THE RESERVOIR PRESSURE IS HIGHER THAN 4 bar OPERATING CONDITION  
 MAY BE RESTORED BY PUSHING THE KNOB  
 BETRIEBSBEREITSCHAFT KANN DURCH DRUECKEN DES KNOPFES  
 WIEDERHERGESTELLT WERDEN, WENN DER BEHAELTERDRUCK GROESSER ALS 4 bar IST  
 SE LA PRESSION DANS LE RESERVOIR EST SUPERIEURE A 4 bar L'ETAT DE SERVICE  
 PEUT ETRE RETABLI EN POUSSANT LE BOUTON  
 SE LA PRESSIONE NEL SERBATOIO E SUPERIORE A 4 bar LA CONDIZIONE DI  
 FUNZIONAMENTO PUO ESSERE RIPRISTINATA PULSANDO IL BOTTONE

- 1** FROM RESERVOIR  
VOM BEHAELTER  
DU RESERVOIR  
DEL SERBATOIO
- 2** TO HAND OPERATED BRAKE VALVE  
ZUM HANDBREMSVENTIL  
AU ROBINET DE FREINAGE A MAIN  
AL RUBINETTO DI COMANDO A MANO
- 3** EXHAUST  
ENTLUEFTUNG  
ECHAPPEMENT  
SCARICO



GENERAL SPECIFICATION:		JED-334		CADAM-DRAWING COPYRIGHT		<b>WABCO</b>	
FURTHER TECHNICAL DATA:		DOC. CODE: SHEET. TO		DATE: SIGNATURE		DRAWN: 94-12-15/VOGES	
GENERAL TOLERANCES		CLASS 1)		CHECKED: DIEKMAYER		STANDARDIZATION: PANTZER	
RANGE OF NOMINAL DIMENSIONS ( ± mm )		≤50		>50 ≤180		>180 ≤400	
FINE		0,5		1,0		1,5 2,0	
MEDIUM X		1,0		2,0 3,0		4,0 ± 3°	
COARSE		2,0		3,5 5,0		6,5	
TAPPED HOLES ACC. ISO 4039 / JED-182		058126		3×A		95-07-20	
1) TOLERANCE CLASS APPLIED CROSSMARKED		DCN-NO.		REV.		DATE	
MASS		SCALE		PRODUCT IDENTIFICATION NO.		DOC. CODE SHEET	
0.365 KG		1:1		434 205 033 0		605 1/1	
SIZE		T.R.I.		SHAPE CODE		REPLACEMENT FOR	
A 2		140		EXPERT CODE 7119		884 009 485 0	

1809/012/204.93  
605/603