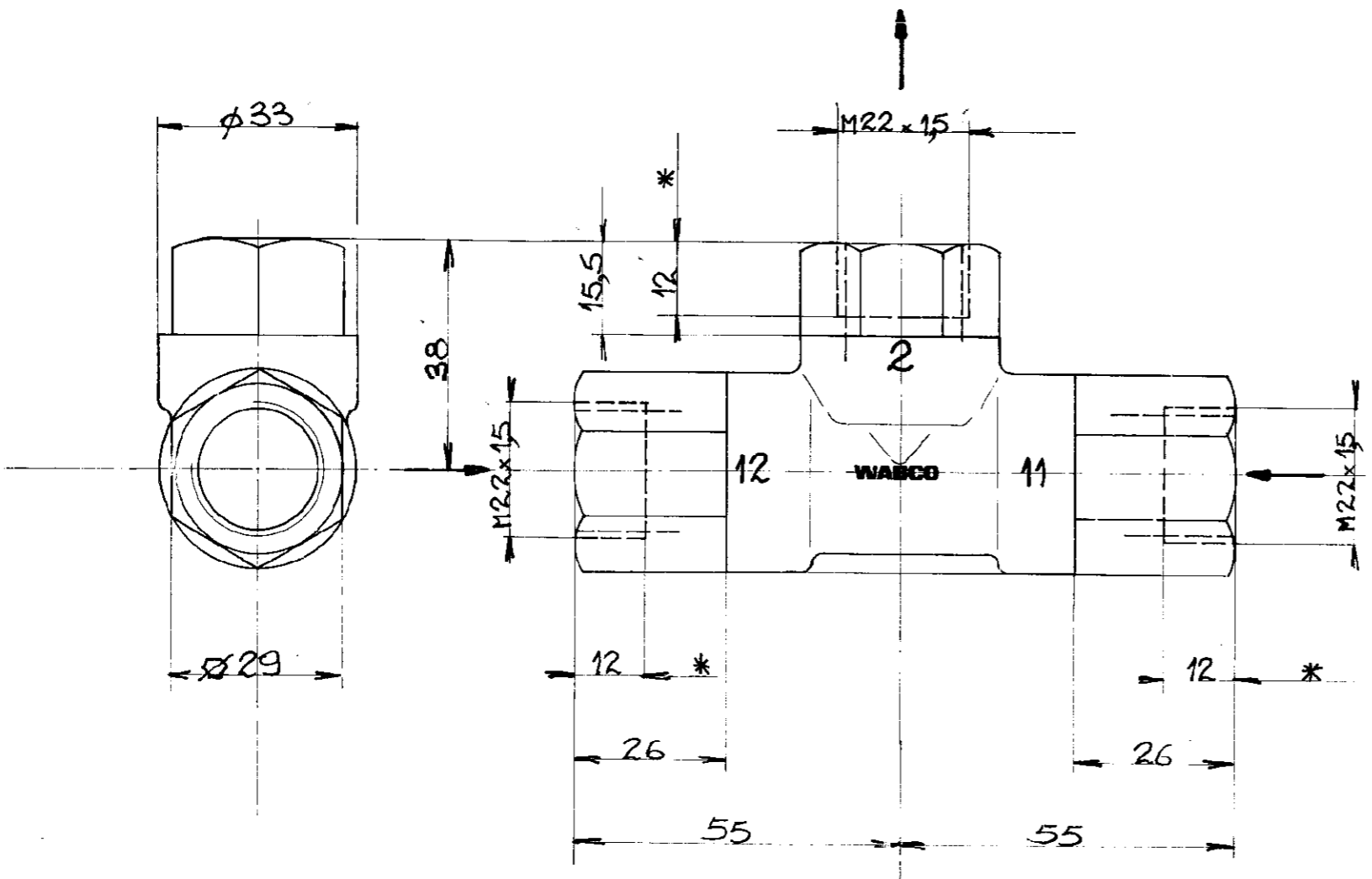


TIRAGE du :



WORKING POSITION EINBAULAGE POSITION DE FONCTIONNEMENT POSIZIONE DI FUNZIONAMENTO	UNIMPORTANT BELIEBIG INDIFFERENTE INDIFFERENTE
WORKING TEMPERATURE THERMISCHER ANWENDUNGSBEREICH TEMPERATURE DE FONCTIONNEMENT TEMPERATURA DI FUNZIONAMENTO	-40°C +80°C Ⓛ
OPERATING PRESSURE BETRIEBSDRUCK PRESSION DE SERVICE PRESSIONE DI ESERCIZIO	MAX. 10 BARS
MEDIUM MEDIUM FLUIDE FLUIDO	COMPRESSED AIR DRUCKLUFT AIR COMPRIE ARIA COMPRESSA

USABLE LENGTH
NUTZBARE LAENGE
LONGUEUR UTILE
LUNGHEZZA UTILIZZABILE

SUPPLY
LUFTZUFUHR
ALIMENTATION
ALIMENTAZIONE

DELIVERY
AUSGESTEUERTE LUFT
UTILISATION
UTILIZZAZIONE

11-12

2

GENERAL SPEC ALLGEMEINE SPEZ SPEC GENERALES SPEC GENERALI		BLANK NO. - ROHTEILNUMMER NO. PIECE BRUTE - NO. PEZZO GREZZO	
TREATMENT BEHANDLUNG TRAITEMENT TRATTAMENTO		SURFACE PROTECTION OBERFLACHENSCHUTZ PROTEZIONE	
MATERIAL - WERKSTOFF MATIERE - MATERIALE		MATERIAL - WERKSTOFF MATIERE - MATERIALE	
81 127 1 x L 81-11-19	79 500 K 79.8.10	DATE	SIGNATURE
		79-08-10	FOURGEAUD
		CHECKED	
		73.08.22	
		STANDARDIZATION	TRAN 7
MASS	SCALE	IDENTIFICATION CODE	
0,440 Kg	1:1	434 208 001 0	
CHANGE NO.	LETT.	DATE	SHEET
			19
REPLACEMENT FOR	SIZE	T.R.	
DRAWING OF 74-09-23 (K)	A 3	210	
CODE FOR FUNCTION		CODE FOR SHAPE	CODE FOR DOCUMENT
514			605

834-000-013
Proprieté de la Cie des Freres et Soeurs WESTINGHOUSE S.A. Tous droits réservés.

100 mm