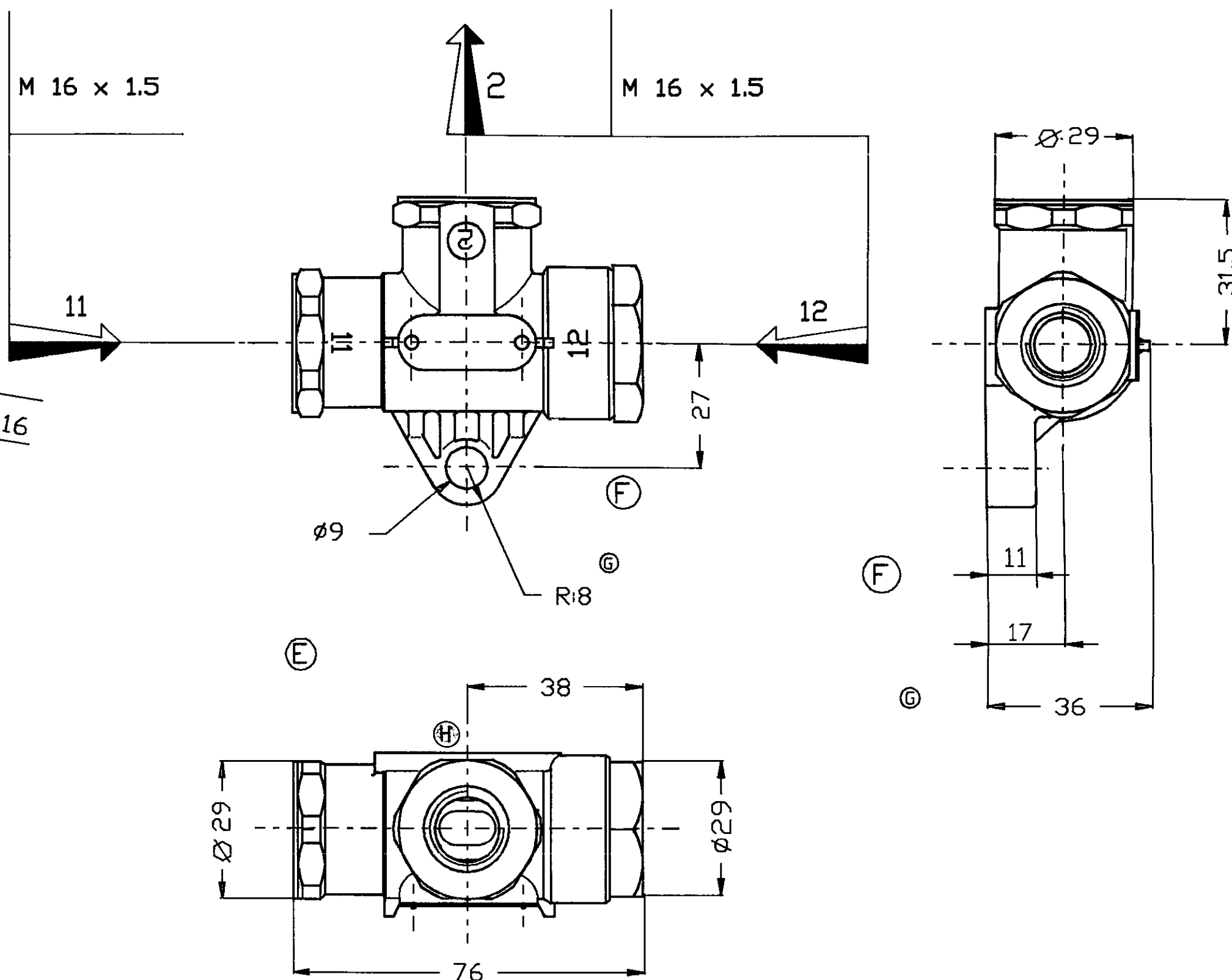
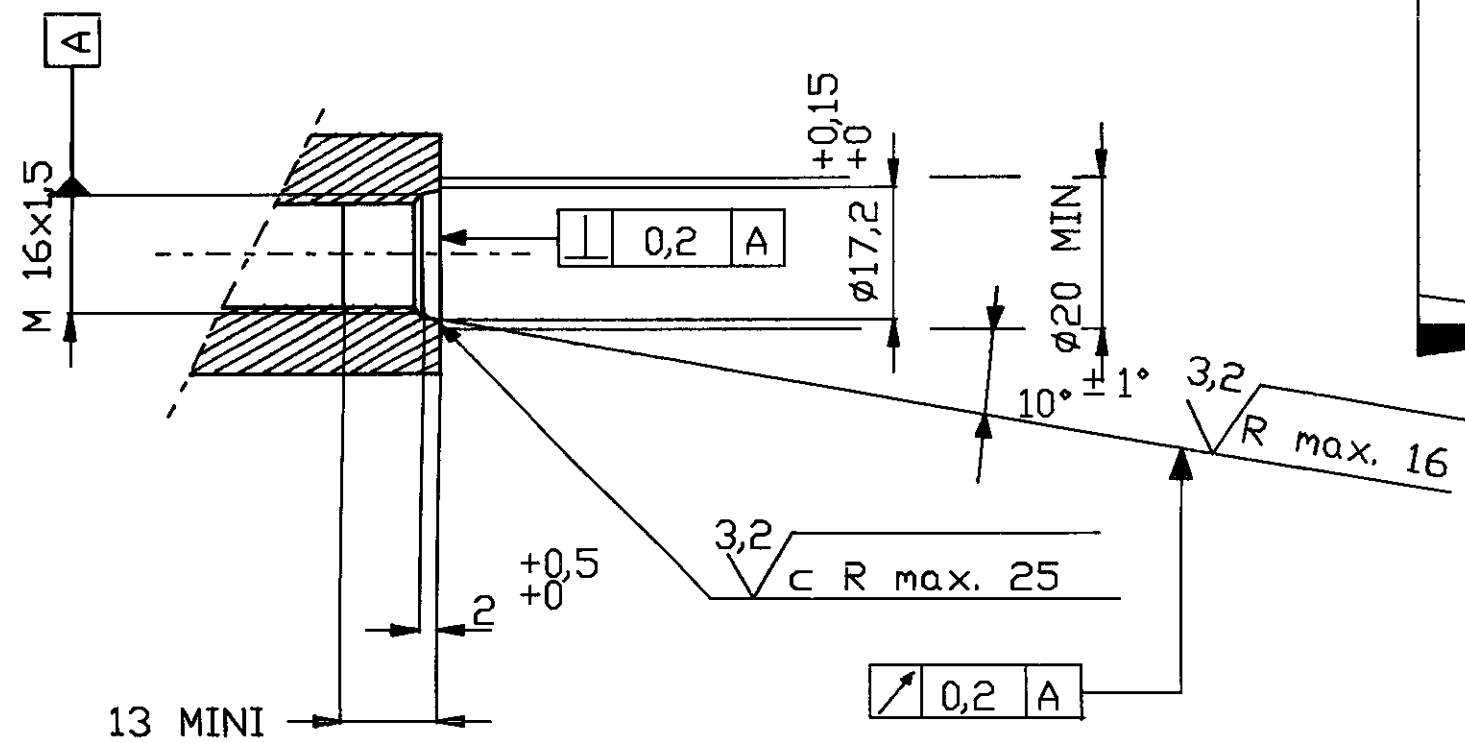


TAP HOLES  
GEWINDE BOHRUNGEN  
TARAUDAGES  
FORI FILETTATI



TORQUE FOR CONNECTIONS  
ANZUGSMOMENT FÜR EINSCHRAUBSTUTZEN  
COUPLE DE SERRAGE DES RACCORDS  
COPPIA DI SERRAGGIO DEI RACCORDI

34 Nm. MAX

WORKING POSITION  
EINBAULAGE  
POSITION DE FONCTIONNEMENT  
POSIZIONE DI FUNZIONAMENTO

UNIMPORTANT  
BELIEBIG  
INDIFFERENTE  
INDIFFERENTE

CONTROL FLUID  
STEUERMEDIUM  
FLUIDE DE COMMANDE  
FLUIDO DI COMANDO

AIR  
LUFT  
AIR  
ARIA

THERMAL RANGE  
THERM ANWENDUNGSBEREICH  
TEMPERATURE D'UTILISATION  
TEMPERATURA DI UTILIZZAZIONE

-40°C...+80°C

AIR PRESSURE INLET  
DRUCKLUFT  
PRESSION PNEUMATIQUE D'ALIMENTATION  
PRESSIONE PNEUMATICO DI ALIMENTAZIONE

10 BAR MAX

MARKING OF PORTS

11

AIR INLET  
VORRATSLEITUNG  
ALIMENTATION  
ALIMENTAZIONE

KENNZEICHNUNG DER  
ANSCHLUESSE  
MARQUAGE DES ORIFICES

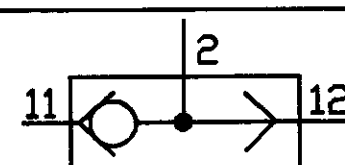
12

MARCATURA DEGLI ORIFIZI

2

DELIVERY  
AUSGESTEUERTE LUFT  
UTILISATION  
UTILIZZAZIONE

SYMBOL  
SINNBILD  
SYMBOLE  
SIMBOLD



FURTHER TECHNICAL DATA SEE		L		COPYRIGHT BY WABCO		WABCO		
IDENTIFICATION No.:		K		DATE		SIGNATURE		
CODE FOR DOCUMENT: 605 SHEET: TO		J		12.12.85		DESRUES		
GENERAL TOLERANCES		G		16.12.85		BION		
RANGE OF NOMINAL DIMENSIONS (± mm)		F		08.04.86		86027		
CLASS	1) < 50	> 50 < 180	> 180 < 400	> 400	MASS			SCALE
I	0,5	1	1,5	2	0,15 kg			1:1
II	1	2	3	4	SIZE			Y.R.I.
III	2	3,5	5	6,5	A 2			210
TAPPED HOLES ACC. ISO 4039		A		CODE FOR PRODUCT-GROUP		CODE FOR SHAPE		REPLACEMENT FOR
1) TOLERANCE CLASS APPLIED CROSSMARKED		DCN-No. REV. DATE		514		434 208 020 0		605 1/1