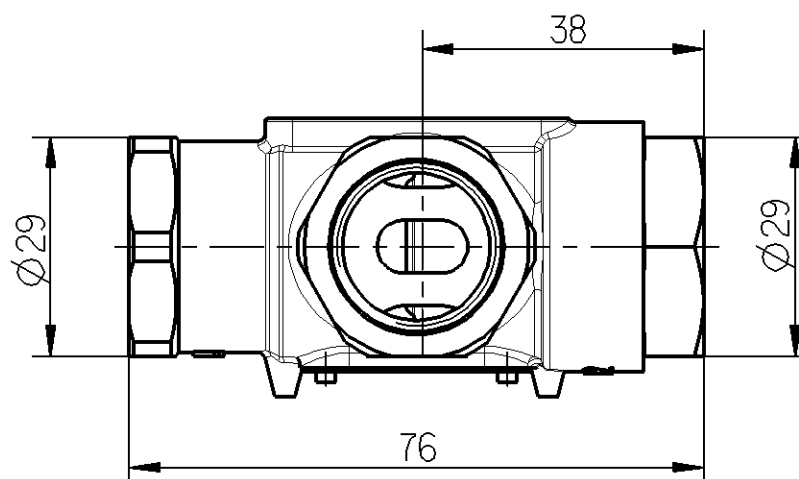
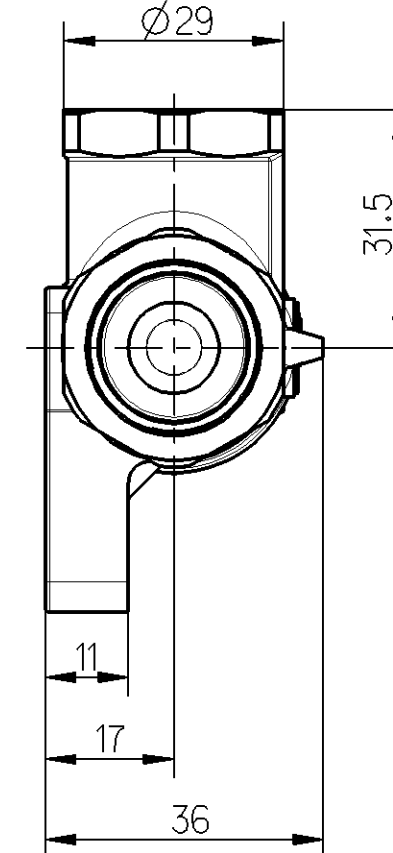
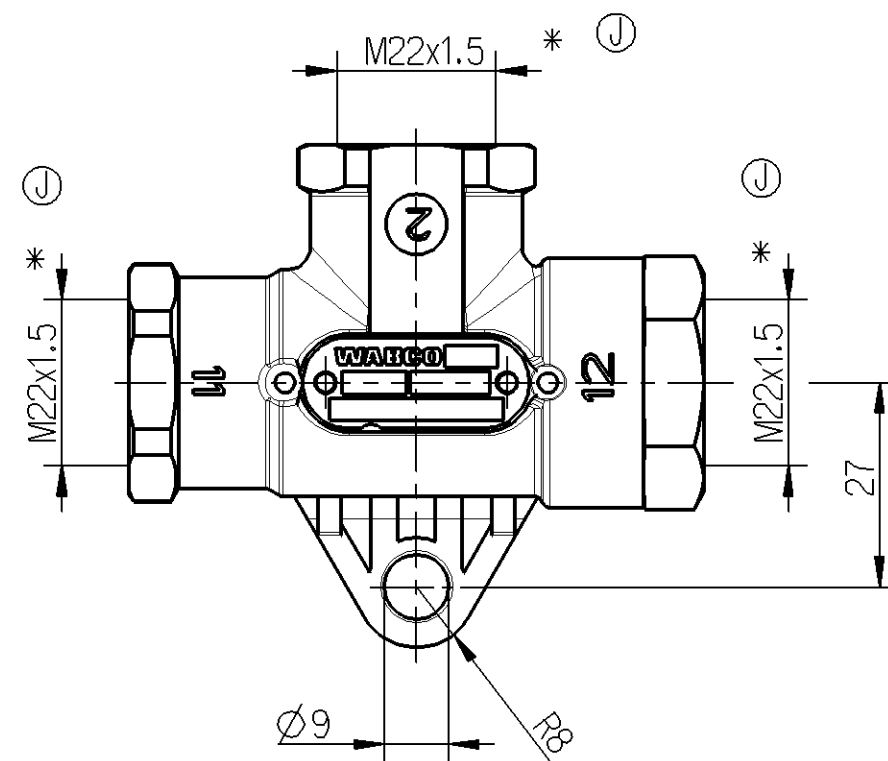
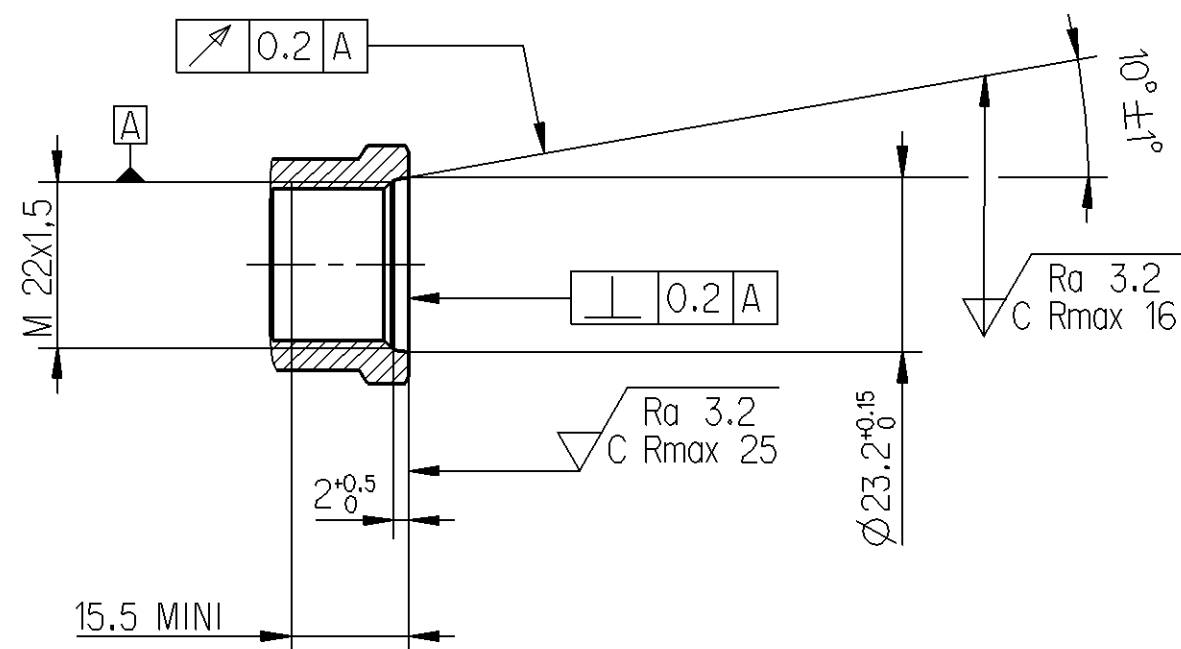


① * TAP HOLES
GEWINDE BOHRUNGEN
TARAUDAGES
FORI FILETTATI



TORQUE FOR CONNECTIONS ANZUGSMOMENT FÜR EINSCHRAUBSTUTZEN COUPLE DE SERRAGE DES RACCORDS COPPIA DISERRAGGIO DEI RACCORDI	53 Nm. MAX
WORKING POSITION EINBAULAGE POSITION DE FONCTIONNEMENT POSIZIONE DI FUNZIONAMENTO	UNIMPORTANT BELIEBIG INDIFFERENTE INDIFFERENTE
CONTROL FLUID STEUERMEDIUM FLUIDE DE COMMANDE FLUIDO DI COMANDO	AIR LUFT AIR ARIA
THERMAL RANGE THERM ANWENDBEREICH TEMPERATURE D'UTILISATION TEMPERATURA DI UTILIZZAZIONE	-40°C...+80°C
AIR PRESSURE INLET DRUCKLUFT PRESSION PNEUMATIQUE D'ALIMENTATION PRESSIONE PNEUMATICO DI ALIMENTAZIONE	① 13 BAR MAX

MARKING OF PORTS KENNEZEICHNUNG DER ANSCHLUESSE MARQUAGE DES DRIFICES MARCATURA DEGLI DRIFIZI	11	AIR INLET VORRATSLEITUNG ALIMENTATION ALIMENTAZIONE
	12	
	2	DELIVERY AUSGESTEUERTE LUFT UTILISATION UTILIZZAZIONE

SYMBOL SINNBILD SYMOLE SYMBOLI	
---	--

General Specification: JED-334-0		Copyright WABCO®			
Further Technical Data:		Date	Signature		
Doc. Code:	Sheet: To	1985-12-12	DESRUES		
General Tolerances JED-261		Checked	1985-12-16 BION		
Range of Nominal Dimensions (± mm)		Expert	CZAPIEWSKI		
Class 1)	≤ 50	> 50 ≤ 180	> 180 ≤ 400	> 400	±3°
Fine	0.5	1.0	1.5	2.0	±3°
Medium	X 1.0	2.0	3.0	4.0	
Coarse	2.0	3.5	5.0	6.5	
DCN-No. Rev. Date		Tapped Holes acc.			
112787	(J)x5	07-03-23			
State of Revision		1) Tolerance Class Applied Crossmarked			

Mass	Scale	Material No.	WABCO Id. No.: 4342080210
0.15 KG	1:1	434 208 021 0	Doc.Code Language Sheet
Size	TR1	605	en/de fr/it 1/1
A 2	510	Function Code	CAD System Prod.Type Replacement for
		Pro/E	0 0 X

WABCO		
DOUBLE CHECK VALVE ZWEIWEGE VENTIL DOUBLE VALVE D'ARRETO DOPPIA VALVOLA D'ARRESTO		
100mm		

dra-452080210...605 / Versim.-4 / state-Approved / md-452080210...002