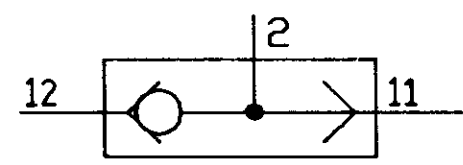


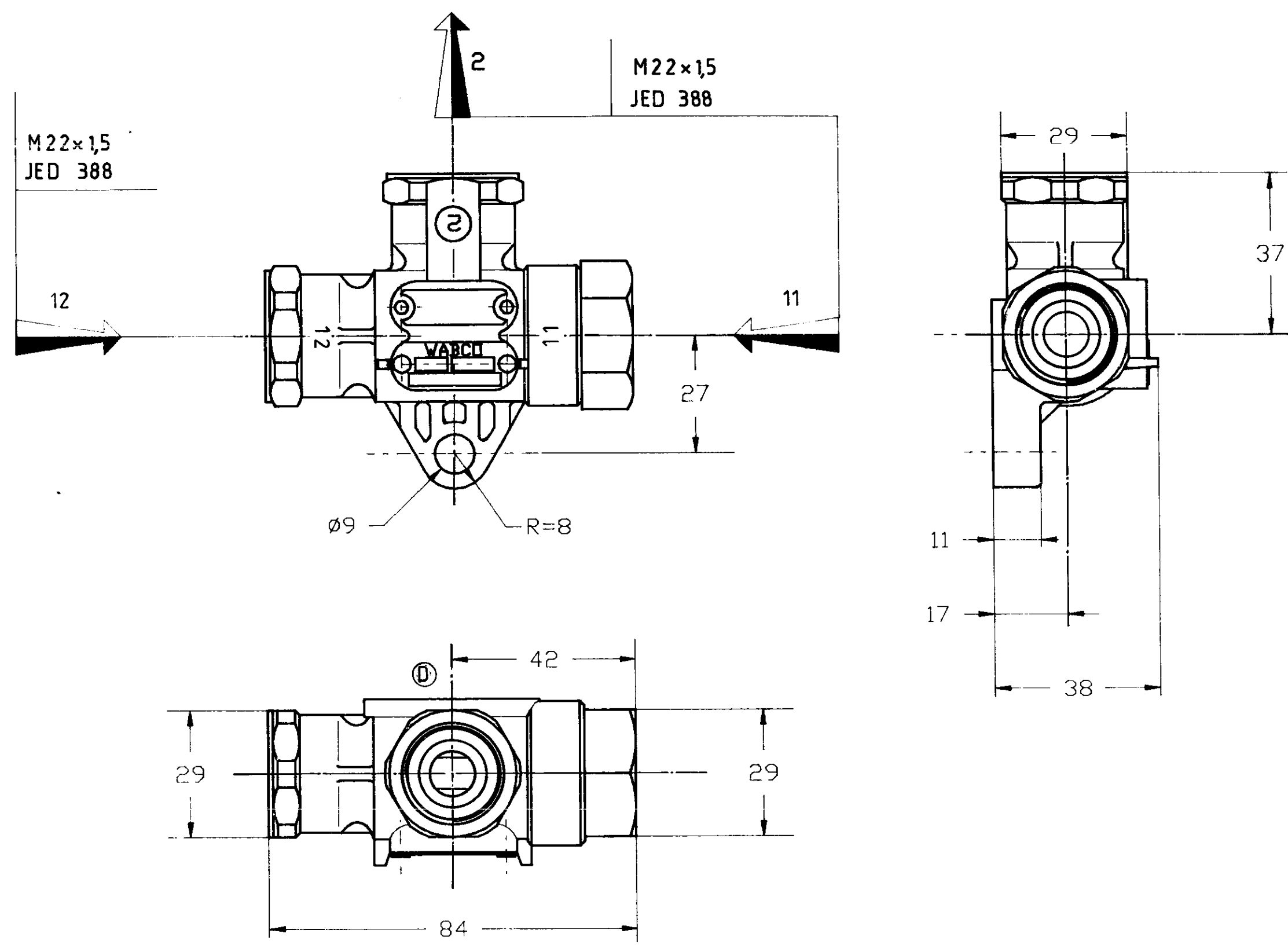
Non è permesso consegnare a terzi o riprodurre questo documento, né utilizzarne il contenuto o renderlo comunque noto a terzi, senza autorizzazione esplicita. Ogni violazione sarà considerata un evidente risarcimento dei danni subiti. È fatta riserva di tutti i diritti derivanti da brevetti o modelli.

It is not permitted to deliver this document or its contents to third parties, nor to reproduce it or make its contents known to third parties, without the express authorization of WABCO. Any violation will be considered an obvious infringement, entitling the holder to full compensation of damages. All rights reserved in respect of patents or designs.

Toute communication ou reproduction de ce document, toute exploitation ou communication de son contenu sont interdites, sans autorisation expresse. Tout manquement à cette règle est considéré comme une violation évidente, entraînant le paiement de dommages et intérêts. Tous droits réservés, notamment en matière de brevets et de modèles.

All communication or reproduction of this document, any use or communication of its contents without the express authorization of WABCO constitutes an evident abuse and result in a liability to the payment of damages. All rights are reserved in the event of the grant of a patent or the registration of an utility model or design.

TORQUE FOR CONNECTIONS ANZUGSMOMENT FÜR EINSCHRAUBSTUTZEN COUPLE DE SERRAGE DES RACCORDS COPPIA DI SERRAGGIO DEI RACCORDI		53 Nm. MAX
WORKING POSITION EINBAULAGE POSITION DE FONCTIONNEMENT POSIZIONE DI FUNZIONAMENTO		UNIMPORTANT BELIEBIG INDIFFERENTE INDIFFERENTE
CONTROL FLUID STEUERMEDIUM FLUIDE DE COMMANDE FLUIDO DI COMANDO		AIR LUFT AIR ARIA
THERMAL RANGE THERM ANWENDUNGSBEREICH TEMPERATURE D'UTILISATION TEMPERATURA DI UTILIZZAZIONE		-40°C...+80°C
AIR PRESSURE INLET DRUCKLUFT PRESSION PNEUMATIQUE D'ALIMENTATION PRESSIONE PNEUMATICO DI ALIMENTAZIONE		10 BAR MAX
MARKING OF PORTS KENNZEICHNUNG DER ANSCHLUESSE MARQUAGE DES ORIFICES MARCATURA DEGLI DRIFIZI	11	AIR INLET VORRATSLEITUNG ALIMENTATION ALIMENTAZIONE
	12	
	2	DELIVERY AUSGESTEUERTE LUFT UTILISATION UTILIZZAZIONE
SYMBOL SINNBILD SYMBOLE SIMBOLO		



FURTHER TECHNICAL DATA SEE		COPYRIGHT BY WABCO		WABCO	
IDENTIFICATION No		DATE	SIGNATURE		
CODE FOR DOCUMENT	605 SHEET TO	88.06.03	LHERMINIER	DOUBLE CHECK VALVE	
GENERAL TOLERANCES		88.06.03	BION	ZWEIWEGE VENTIL	
RANGE OF NOMINAL DIMENSIONS (mm)		STANDARDIZATION		DOUBLE VALVE D'ARRET	
CLASS	11 < 50 > 50 > 180 > 400 > 400	88.06.071 MAURY		DOPPIA VALVOLA D'ARRESTO	
I	0,5 1 1,5 2	MASS	SCALE	IDENTIFICATION	
II	1 2 3 4	0,3 kg	1:1	434 208 027 0	
III	2 3,5 5 6,5	SIZE	T.R.T.	CODE FOR DOCUMENT	SHEET
TAPPED HOLES ACC ISO 4039		A 2	210	605	1/1
TOLERANCE CLASS APPLIED CROSSMARKED		CODE FOR PRODUCT-GROUP		REPLACEMENT FOR	
		514		DRAWING OF 86.11.14 (B)	