

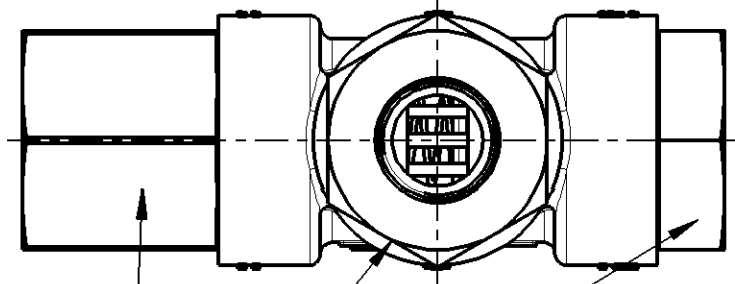
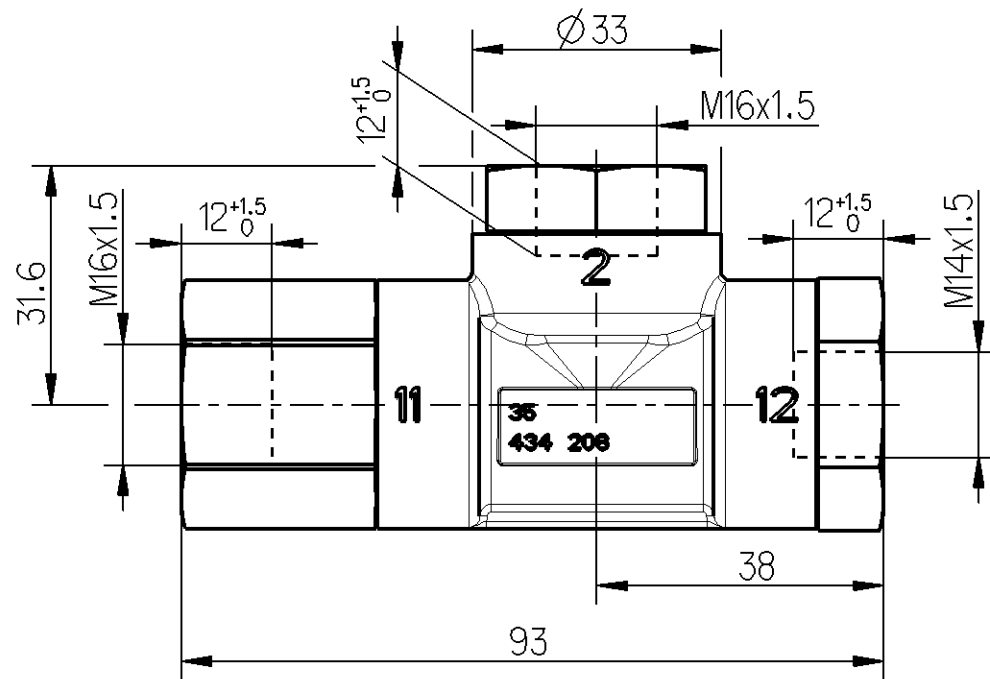
Non e permesso consegnare a terzi o riprodurre questo documento, ne utilizzare il contenuto o renderlo comunque noto a terzi senza autorizzazione esplicita. Ogni infrazione costituisce un evidente abuso e comportera il risarcimento dei danni subiti. E' fatta riserva di tutti i diritti derivanti da brevetti o modelli.

Toute communication ou reproduction de ce document, toute exploitation ou communication de son contenu sont interdites, sauf autorisation expresse. Tout manquement a cette regle constitue un abus evident et expose son auteur au versement de dommages et interets. Tous droits de proprieete industrielle reserves, notamment en matiere de brevets et de modesles.

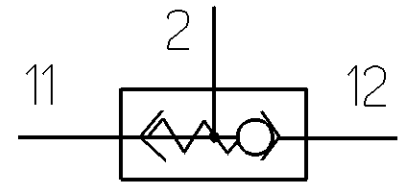
Copying of this document and giving it to others and the use or communication of the contents thereof, are forbidden without express authority. Contrivention of this restriction will constitute an evident abuse and result in a liability to the payment of damages. All rights are reserved in the event of the grant of patent or registration of a utility model or design. This document is the subject of copyright.

Weitergabe sowie Vervielfaerung dieser Unterlage, Verwertung und Mitteilung ihres Inhalts nicht gestattet, soweit nicht ausdruercklich zugestanden. Zuwiderhandlungen stellen einen offensichtlichlichen Missbrauch dar und verpflichten zu Schadensersatz. Alle Rechte fuer den Fall der Patenterteilung oder Gebrauchsmuster-Eintragung vorbehalten.

1 2 3 4 5 6 7 8



WIDTH ACROSS FLATS:  
SCHLUESSELWEITE:  
SURPLATS:  
LARGHEZZA IN CHIAVE: . . . 29



MEDIUM: AIR  
MEDIUM: LUFT  
FLUIDE: AIR  
FLUIDO: ARIA

MAX. WORKING PRESSURE:  
MAX. BETRIEBSDRUCK: 10 bar  
PRESSION D'UTILISATION MAX.:  
PRESIONE DI ESERCIZIO MAX.:

NOMINAL DIAMETER:  
NENNWEITE: Ø10.5  
DIAMETRE NOMINAL:  
DIAMETRO NOMINALE:

THERMAL RANGE OF APPLICATION:  
THERMISCHER ANWENDUNGSBEREICH: -40°C ... +80°C  
GAMME D'APPLICATION THERMIQUE:  
CAMPO DI APPLICAZIONE TERMICA:

VALVE OPENING PRESSURE PORT 12:  
VENTIL OEFFNUNGSDRUCK BEI ANSCHLUSS 12: < 0.1 bar  
PRESSION D'OUVERTURE ORIFICE 12:  
PRESSIONE DI APERTURA ORIFIZIO 12:

INSTALLATION POSITION: OPTIONAL  
EINBAULAGE: BELIEBIG  
POSITION D'INSTALLATION: INDIFFERENT  
POSIZIONE DI MONTAGGIO: INDIFFERENTE

©

General Specification: JED-334-0		Copyright WABCO®		<b>WABCO</b>		
Further Technical Data:		Date	Signature			
Doc. Code:	Sheet: To	Drawn		TWO-WAY VALVE ZWEIWEGEVENTIL VALVE A DEUX VOIES VALVOLA A DUE VIE		
General Tolerances JED-261		2009-02-10	Mazurkiewicz			
Range of Nominal Dimensions ( ± mm)		Checked				
Class 1)		2009-11-13				
	≤ 50	> 50 ≤ 180	> 180 ≤ 400	> 400	Expert	
Fine	X	0.5	1.0	1.5	2.0	Czapiewski
Medium		1.0	2.0	3.0	4.0	
Coarse		2.0	3.5	5.0	6.5	Czapiewski
Tapped Holes acc. JED-152		Mass	Scale	Material No.		
1) Tolerance Class Applied Crossmarked		0.427 KG	1:1	434 208 050 0		Doc.Code
		Size	CAD System	ECN-No.		Revision
		A 3	Pro/E	120216		Techn. Resp.
				C		5140
				Replacement for		

1 2 3 4 5 6 7 8

A

B

C

D

drw: 4342080500...005 / Version: -.15 / state: Under Review / mti: 4342080500...A02