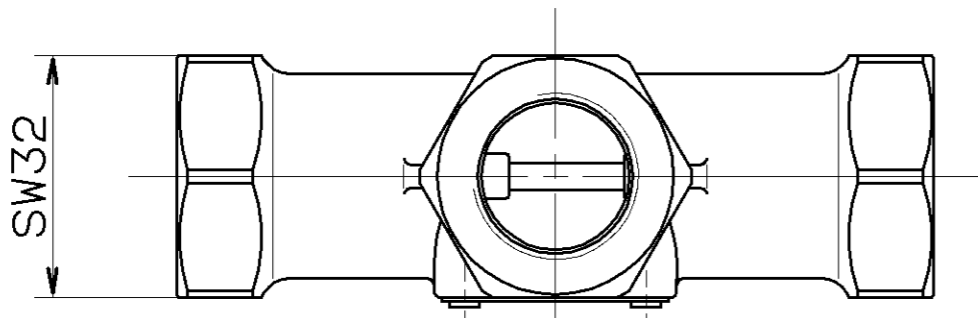
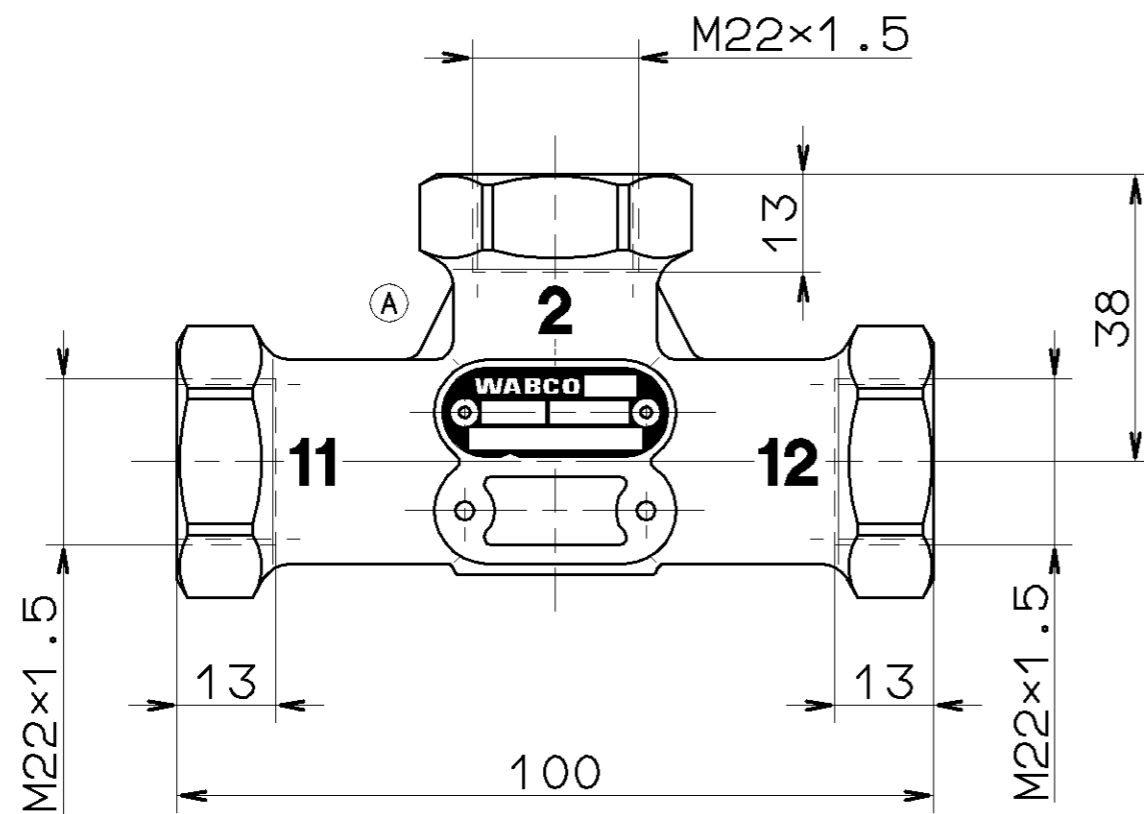


NON È PERMESSO CONSERVARE A TERZI O RIPRODURRE QUESTO DOCUMENTO. NE UTILIZZARE IL CONTENUTO O RES-
 ABBANDONARE I DIRITTI DI PROPRIETÀ IN TUTTI I PAESI. È FATTA RISERVA SU TUTTI I DIRITTI DERIVANTI DA
 BREVETTI O MODELLI.
 COPIING OF THIS DOCUMENT AND GIVING IT TO OTHERS AND THE USE OF COMMUNICATION OF THE CONTENTS THEREOF,
 ABANDONING THE RIGHTS OF PROPRIETY IN ALL COUNTRIES. RESERVATION IS MADE OF ALL RIGHTS DERIVING FROM
 PATENTS OR MODELS.
 REPRODUCTION OF THIS DOCUMENT AND GIVING IT TO OTHERS AND THE USE OF COMMUNICATION OF THE CONTENTS THEREOF,
 ABANDONING THE RIGHTS OF PROPRIETY IN ALL COUNTRIES. RESERVATION IS MADE OF ALL RIGHTS DERIVING FROM
 PATENTS OR MODELS.
 REPRODUCTION OF THIS DOCUMENT AND GIVING IT TO OTHERS AND THE USE OF COMMUNICATION OF THE CONTENTS THEREOF,
 ABANDONING THE RIGHTS OF PROPRIETY IN ALL COUNTRIES. RESERVATION IS MADE OF ALL RIGHTS DERIVING FROM
 PATENTS OR MODELS.



WORKING PRESSURE:
 BETRIEBSDRUCK:
 PRESSION DE SERVICE:
 PRESSIONE D'ESERCIZIO:

MAX. p_e = 10 bar

THERMAL RANGE OF APPLICATION:
 THERMISCHER ANWENDBEREICH:
 GAMME D'APPLICATION THERMIQUE:
 CAMPO DI APPLICAZIONE TERMICA:

-40° C...+80° C

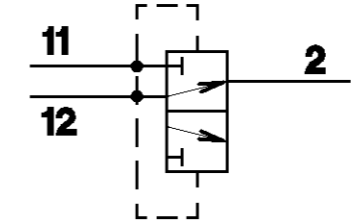
MEDIUM: AIR
 MEDIUM: LUFT
 FLUIDE: AIR
 FLUIDO: ARIA

NOMINAL DIAMETER:
 NENNWEITE:
 DIAMETRE NOMINAL:
 DIAMETRO NOMINALE:

Ø10mm

INSTALLATION POSITION:
 EINBAULAGE:
 POSITION D'INSTALLATION:
 POSIZIONE DI MONTAGGIO:

OPTIONAL
 BELIEBIG
 INDIFFERENTE
 A SCELTA



GENERAL SPECIFICATION: JED-334		CADAM-DRAWING COPYRIGHT		WABCO	
FURTHER TECHNICAL DATA:		DATE: _____ SIGNATURE: _____		DRAWN: 89-12-01 SEEW.	
DOC. CODE: _____ SHEET: _____ TO: _____		CHECKED: 89-12-01 DEIKE		DOUBLE CUT-OFF VALVE	
GENERAL TOLERANCES		STANDARDIZATION: 89-12-01 PANT.		DOPPELABSPERRVENTIL	
CLASS 1)	RANGE OF NOMINAL DIMENSIONS (± mm)				± 3°
	≤50	> 50 ≤180	>180 ≤400	>400	
FINE	0,5	1,0	1,5	2,0	REPLACEMENT FOR 884 007 810 0 OF 89-07-12
MEDIUM	1,0	2,0	3,0	4,0	
COARSE	2,0	3,5	5,0	6,5	
TAPPED HOLES ACC. ISO 4039 / JED-182		054110	1×A	93-09-14	DOC. CODE SHEET 605 1/1
1) TOLERANCE CLASS APPLIED CROSSMARKED		DCN-NO.	REV.	DATE	MASS SCALE PRODUCT IDENTIFICATION NO. 434 500 003 0
					SIZE T.R.I. A 2 140
				SHAPE CODE	
				EXPERT CODE 734	

1809/012/204_93
 605/603