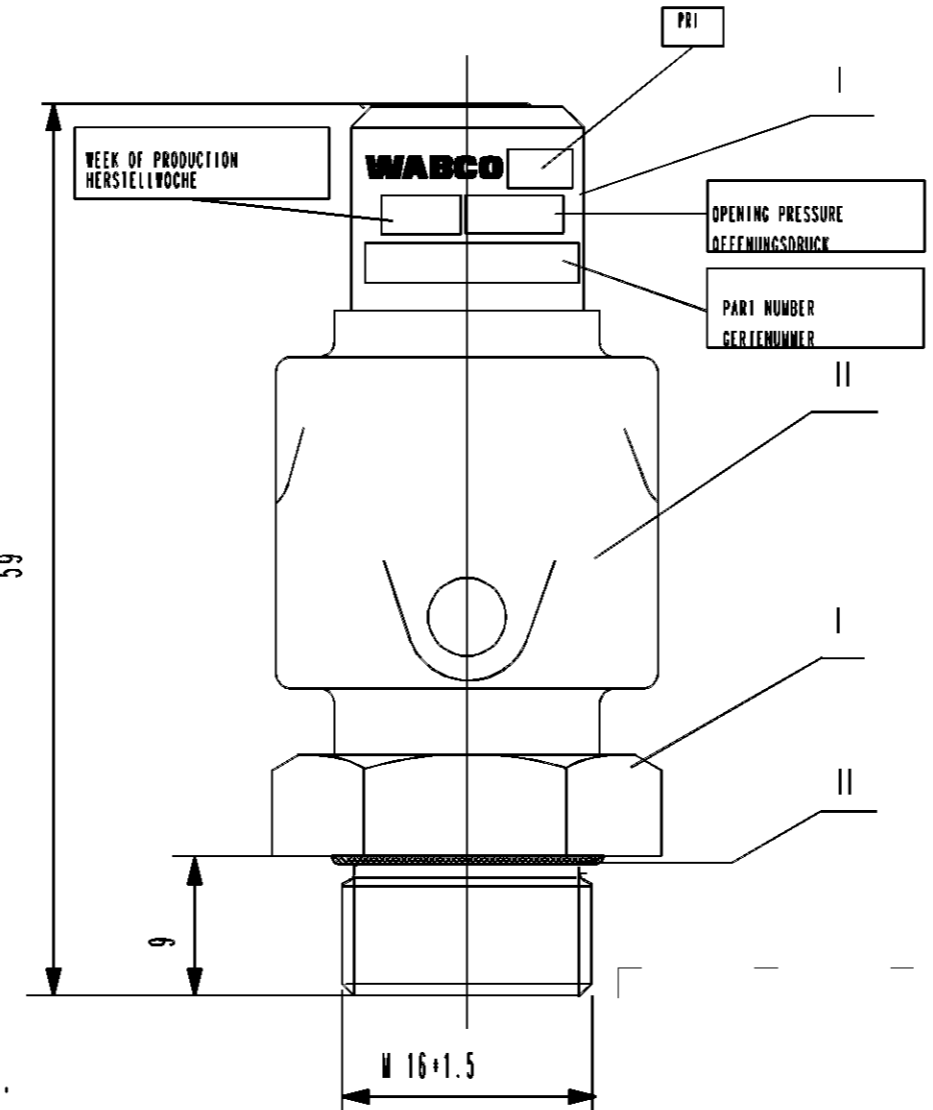
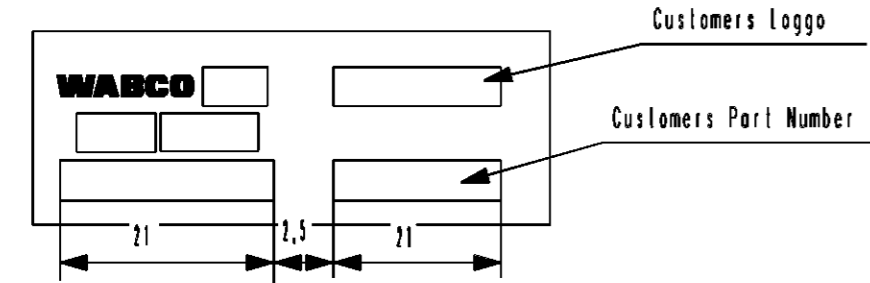


1
2
3
4
5
6
7
8

1
2
3
4
5
6
7
8

1
2
3
4
5
6
7
8

SURFACE PROTECT. / OBERFL. SCHUTZ	
I	BRASS / MESSING / JED-035M1
II	RUBBER / GUMMI / JED-235



434 608 226 0	15 + 1,5 bar	
434 608 225 0	14 + 1,4 bar	
434 608 224 0	13 + 1,3 bar	
434 608 223 0	12 + 1,2 bar	
434 608 222 0	11 + 1,1 bar	
434 608 221 0	9 + 0,9 bar	
434 608 220 0	10 + 1,0 bar	(E)
DEVICE NUMBER GERAETE-NUMMER NUMERO DAPPAREII NUMERO CODICE DELL APARECCHIO	OPENING PRESSURE OEFENUNGSDRUCK PRESSION DOVERTURE PRESSIONE DI APERTURA	CUSTOMERS NO. KUNDEN-NR No. CLIENT No. CLIENTE

THERMAL RANGE OF APPLICATION:
THERMISCHER ANWENDUNGSBEREICH:
GAMME D'APPLICATION THERMIQUE:
CAMPO DI APPLICAZIONE TERMICA:
9-15 bar: -40...+80 C'

MEDIUM:
MEDIUM:
FLUIDE:
FLUIDO:
AIR
LUFT
AIR
ARIA

NOMINAL DIAMETER:
NENNWEITE:
DIAMETRE NOMINAL:
DIAMETRO NOMINALE:
4,3

POSITION OF INSTALLATION:
EINBAULAGE:
POSITION D'INSTALLATION:
POSIZIONE DI MONTAGGIO:
OPTIONAL
BELIEBIG
AUCOIX
APIACERE

TORQUE:
ANZUGEMOMENT:
COUPLE DE SERRAGE:
COPPIA DI SERRAGGIO:
35 Nm

WIDTH ACROSS FLATS:
SCHLUESSELWEITE:
SURPLAT:
LARGHESSA:
22 mm

GENERAL SPECIFICATION: JED-334				
FURTHER TECHNICAL DATA:				
DOC. CODE:	SHEET:	TO		
GENERAL TOLERANCES				
	RANGE OF NOMINAL DIMENSIONS (± mm)			
CLASS 1)	≤ 50	> 50 ≤ 180	> 180 ≤ 400	> 400
FINE	0,5	1,0	1,5	2,0
MEDIUM	1,0	2,0	3,0	4,0
COARSE	2,0	3,5	5,0	6,5
				± 3°
TAPPED HOLES ACC. ISO 4039 / JED-152		072215	D	00-03-30
1) TOLERANCE CLASS APPLIED CROSSMARKED		DCN-NO.	REV.	DATE
		078285	1xE	02-03-06

CADAM-DRAWING COPYRIGHT		WABCO	
DATE	SIGNATURE	DRAWN: 00-03-30 Lippelt	
		CHECKED: 00-03-30 Diekmeyer	
STANDARDIZATION:		PRODUCT IDENTIFICATION NO. 434 608 239 0	
MASS	SCALE	DOC. CODE	
0.08	2:1	653	
KG		SHEET	
		1/1	
SIZE	I.R.I.	REPLACEMENT FOR	
A 3	140		
SHAPE CODE		REPLACEMENT FOR	
EXPERT CODE 7 4 3		PRODUCT TYPE 0 1	

A

B

C

D

E

1G09/008/3/04_93

605/653