

NON È PERMESSO CONCESSIONE A TERZI O RIPRODURRE QUESTO DOCUMENTO, NE UTILIZZARNE IL CONTENUTO O REN-
 DERSI RESPONSABILI PER QUALSIASI DANNI, PERDITE O GUASTI, CHE DERIVANO DALL'USO NON AUTORIZZATO.
 IT IS NOT PERMITTED TO REPRODUCE OR COMMUNICATE THIS DOCUMENT TO OTHERS, NOR TO USE OR COMMUNICATE
 ITS CONTENTS TO OTHERS AND THE USER OR COMMUNICATOR OF THE CONTENTS THEREOF.
 ALL RIGHTS ARE RESERVED IN THE EVENT OF THE ABUSE AND RESULT IN A LIABILITY TO THE PAYMENT OF DAMAGES.
 COPIING OF THIS DOCUMENT AND CIRCULATING IT TO OTHERS AND THE USE OR COMMUNICATION OF THE CONTENTS THEREOF
 IS PROHIBITED. THE USER OR COMMUNICATOR OF THE CONTENTS THEREOF IS RESPONSIBLE FOR ANY DAMAGE OR
 LOSS OF DATA THAT MAY BE CAUSED BY SUCH ABUSE AND RESULT IN A LIABILITY TO THE PAYMENT OF DAMAGES.
 GRANT OF PATENT OR REGISTRATION OF A UTILITY MODEL OR DESIGN, THIS DOCUMENT IS THE SUBJECT OF COPYRIGHT.

MATERIAL AND SURFACE PROTECTION	
I	Ms JED-035 M1
II	NBR JED-235
III	St-Zn JED-048 M7/JED-256
IV	PA 6.6 JED-359.1

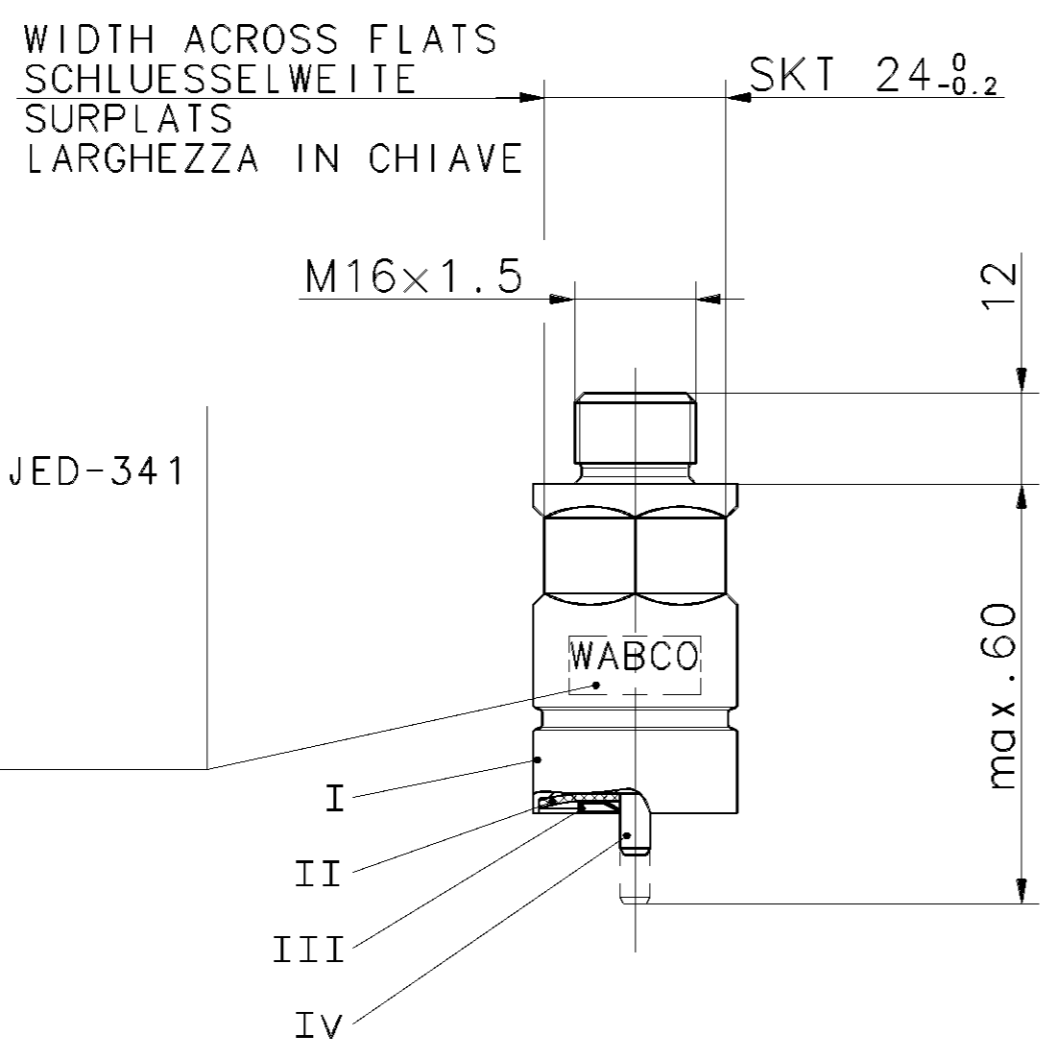
MEDIUM: AIR
 MEDIUM: LUFT
 FLUIDE: AIR
 FLUIDO: ARIA

 THERMAL RANGE OF APPLICATION :
 THERMISCHER ANWENDUNGSBEREICH: -40°C...+80°C, 1h bei 110°C
 GAMME D'APPLICATION THERMIQUE:
 CAMPO TERMICO D'APPLICAZIONE :

NOMINAL DIAMETER :
 NENNWEITE : $\varnothing 7$
 DIAMETRE NOMINAL :
 DIAMETRO NOMINALE :

 TORQUE :
 ANZUGSMOMENT : M16x1.5: $M_{max} = 34 \text{ Nm}$
 COUPLE DE SERRAGE :
 COPPIA DI SERRAGGIO :

INSTALLATIONS POSITION AS DRAWN
 EINBAULAGE WIE GEZEICHNET $\pm 90^\circ$
 POSITION D'INSTALLATION SUIVANT DESSIN
 POSIZIONE DI MONTAGGIO COMO DISEGNATO



IDENTIFICATION ACCORDING TO
 KENNZEICHNUNG NACH
 INDICATIONS SUIVANT
 INDICAZIONE SECONDO
 JED-341

 OPENING PRESSURE
 OEFFNUNGSDRUCK [bar]
 PRESSION D'OUVERTURE
 PRESSIONE DI APERTURA

434 612 066 0		15 ^{+1.5} ₀
434 612 065 0		14 ^{+1.4} ₀
434 612 064 0		12 ^{+1.2} ₀
DEVICE NUMBER GERAETE-NUMMER NUMERO D' APPAREIL NUMERO CODICE DELL APPARECCHIO	CUSTOMER NO. KUNDEN-NR. NO CLIENT NO CLIENTE	OPENING PRESSURE OEFFNUNGSDRUCK PRESSION D'OUVERTURE PRESSIONE DI APERTURA [bar]

GENERAL SPECIFICATION:		CADAM-DRAWING COPYRIGHT		WABCO	
JED-334		DATE	SIGNATURE	DRAWN: MYDLIKOWSKI	
FURTHER TECHNICAL DATA:		CHECKED: CZAPIEWSKI		SAFETY VALVE	
DOC. CODE: SHEET: TO		STANDARDIZATION:		SICHERHEITSVENTIL	
GENERAL TOLERANCES		PRODUCT IDENTIFICATION NO.		SOUPAPE DE SURETE	
CLASS 1) RANGE OF NOMINAL DIMENSIONS (± mm)		434 612 069 0		VALVOLA DI SICUREZZA	
FINE 0,5 1,0 1,5 2,0		MASS	SCALE	DOC. CODE	SHEET
MEDIUM 1,0 2,0 3,0 4,0		KG	1:1	653	1/1
COARSE 2,0 3,5 5,0 6,5		SIZE	T.R.I.	REPLACEMENT FOR	
TAPPED HOLES ACC. ISO 4039 / JED-152		A 2	510		
1) TOLERANCE CLASS APPLIED CROSSMARKED		DCN-NO.	REV.	DATE	SHAPE CODE
				EXPERT CODE 818	

1009/012/3/04-93 605 653