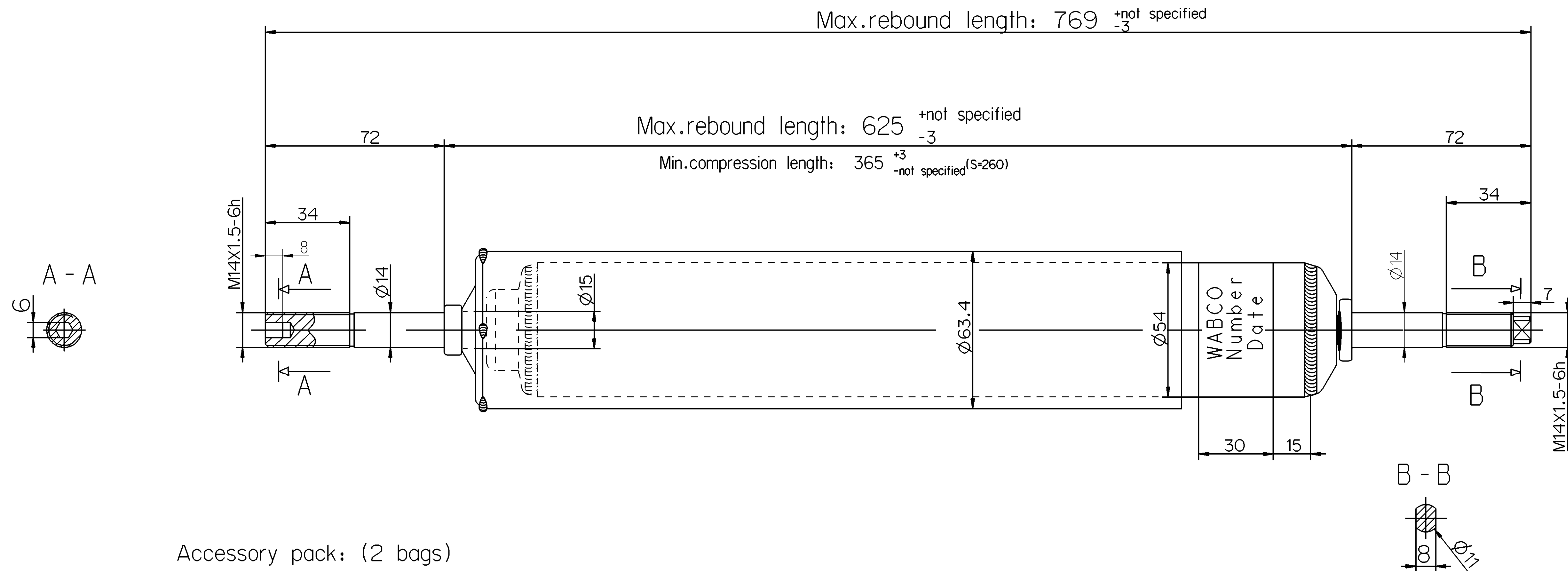
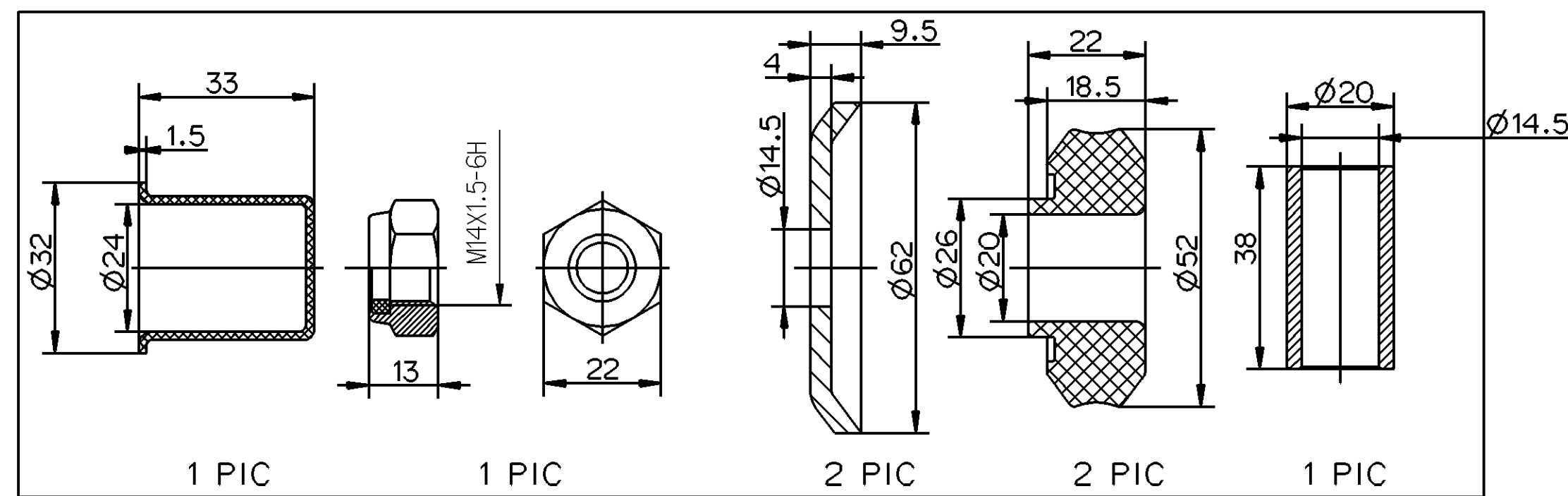


Colour: RAL 9005B Semi-Black



Accessory pack: (2 bags)



Sample damping force specification -Hydraulic

V(m/s)	0.079	0.157	0.314	0.520	0.750
Pf(N)	1505	5100	6755	7125	7485
Py(N)	175	260	395	495	650
S(mm)	60		Rebound(N)		

DESIGNED BY Shikai Zhang	CHECKED BY Chao Zhao	APPROVED BY DATE Dongming Gui	DATE 04/08/2009	WEIGHT (KG) 4.0	SCALE 1:1	FIRST ANGLE METHOD
ADD INDUSTRY CO., LTD.			SHOCK ABSORBER DRAWING			
			DRAWING NUMBER AHN50417	ADD NO. WABCO No.	438 600 342 0	

General Specifications: JED-334-0		Copyright WABCO®	
Further Technical Data:		Date	Signature
Doc. Code:	Sheet: To	2009-04-06	D. Jasinski
General Tolerances JED-261		2009-04-24 B. Basinski	
Range of Nominal Dimensions (± mm)		Expert	
Class 1)	< 50	50 > 180	180 > 400
Fine	0.5	1.0	1.5
Medium	1.0	2.0	3.0
Coarse	2.0	3.5	5.0
Tapped Holes acc. JED-152		Material No.	
1) Tolerance Class Applied Crossmarked		438 600 342 0	
Date of first issue: 2009-04-24		Doc.Code Language Sheet	
A 1		005 EN 1/1	
Pro/E		Revision Techn. Resp. 6961	

Tutti i diritti sono riservati. È vietata espressamente la ristampa o l'uso non autorizzato senza permesso scritto dalla ADD Industry Co., Ltd. / Toute réimpression ou utilisation non autorisée sans la permission écrite de la ADD Industry Co., Ltd. est formellement interdite. / All rights reserved. No part of this publication may be reproduced, stored in a retrieval system, or transmitted, in any form or by any means, without the prior written permission of ADD Industry Co., Ltd. / Alle Rechte sind vorbehalten. Nachdruck, Vervielfältigung und Verbreitung, auch auszugsweise, ist ohne schriftliche Genehmigung der ADD Industry Co., Ltd. / This document is the property of ADD Industry Co., Ltd. / Este documento é propriedade da ADD Industry Co., Ltd. / This document is the property of ADD Industry Co., Ltd.