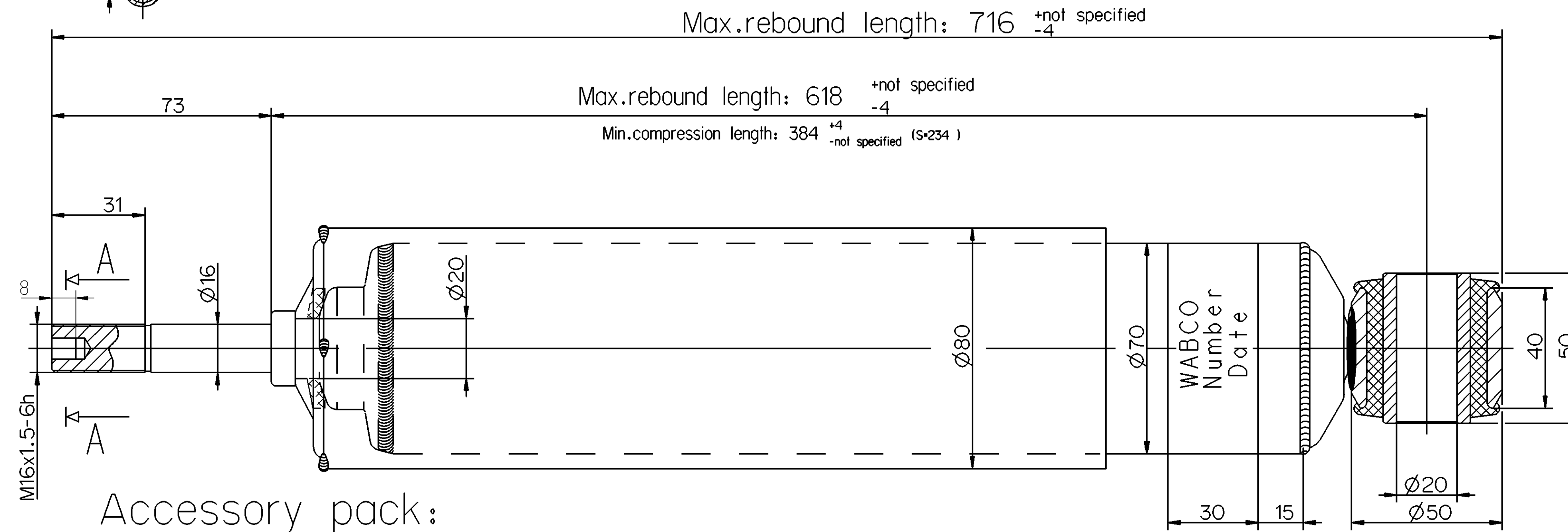
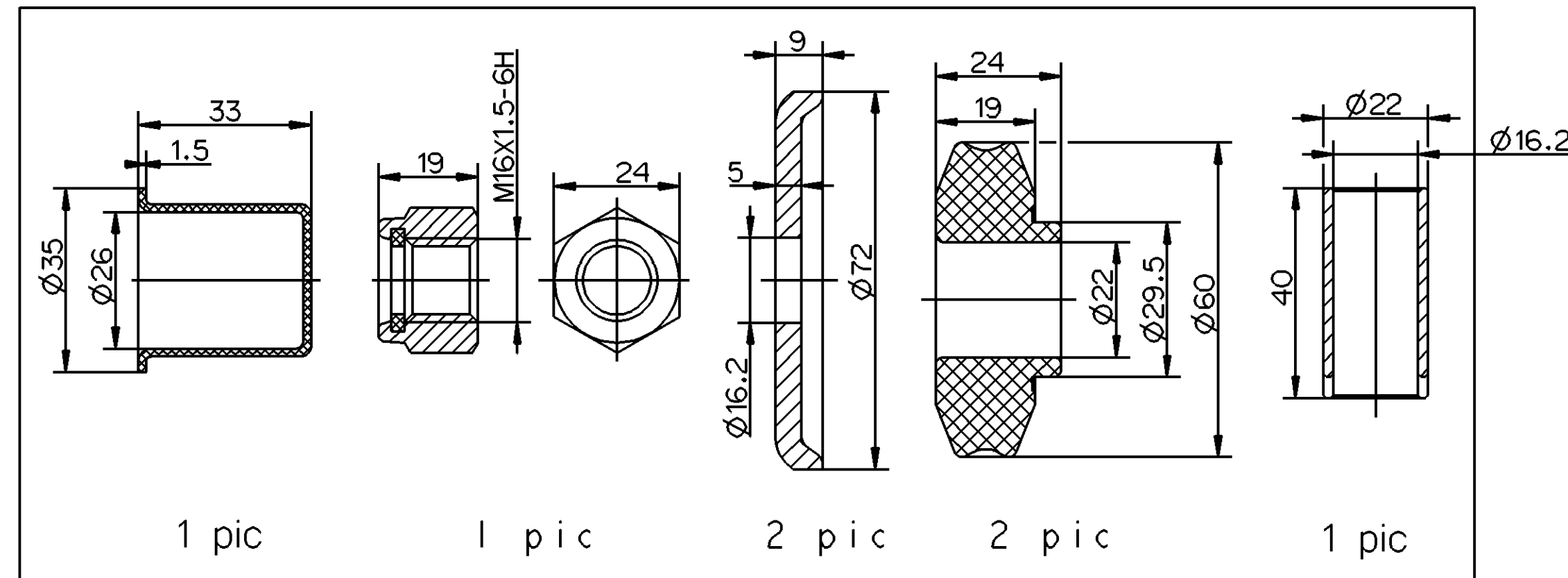


Colour: RAL 9005B Semi-Black



Accessory pack:



Sample damping force specification -Hydraulic

V(m/s)	0.079	0.157	0.314	0.520	
Pf(N)	5945	9425	11020	12320	
Py(N)	630	950	1105	1285	
S(mm)		60	Rebound(N)		

DESIGNED BY Shikai Zhang	CHECKED BY Chao Zhao	APPROVED BY DATE Dongming Gui	DATE 04/08/2009	WEIGHT (KG) 5.2	SCALE 1:1	FIRST ANGLE METHOD
ADD INDUSTRY CO., LTD.			SHOCK ABSORBER DRAWING			
			DRAWING NUMBER AHN61024	ADD NO. WABCO No.	438 600 343 0	

General Specifications: JED-334-0		Copyright WABCO®		WABCO	
Further Technical Data:		Date		Signature	
Doc. Code:	Sheet:	To:	2009-04-07	Drawn:	D. Jozinski
General Tolerances JED-261		Checked:		2009-04-24	
Range of Nominal Dimensions (± mm)		Checked:		B. Basinski	
Class 1)		Expert:		B. BASINSKI	
Class 1)	≤ 50	> 50 ≤ 180	> 180 ≤ 400	> 400	±3 ^o
Fine	0.5	1.0	1.5	2.0	
Medium	1.0	2.0	3.0	4.0	
Coarse	2.0	3.5	5.0	6.5	
Tapped Holes acc. JED-152		Material No.		Date of first issue: 2009-04-24	
1) Tolerance Class Applied Crossmarked		438 600 343 0		Doc.Code Language Sheet	
A 1		Pro/E		005 EN 1/1	
		ECN-No.		Revision Techn. Resp.	
		-		6961	
				Replacement for	

Note e permesso consegnare a terzi o riprodurre questo documento, ne utilizzarne il contenuto o renderlo comunque noto a terzi...
 Toute communication ou reproduction de ce document, toute exploitation ou communication de son contenu sont interdites, sauf...
 Alle Rechte sind vorbehalten. Nachdruck, Vervielfältigung und Verbreitung, auch auszugsweise, ist ohne schriftliche Genehmigung...
 All rights reserved. No part of this publication may be reproduced, stored in a retrieval system, or transmitted in any form or by any means...
 Tutti i diritti sono riservati. È vietata espressamente la ristampa o l'uso non autorizzato di questo documento.