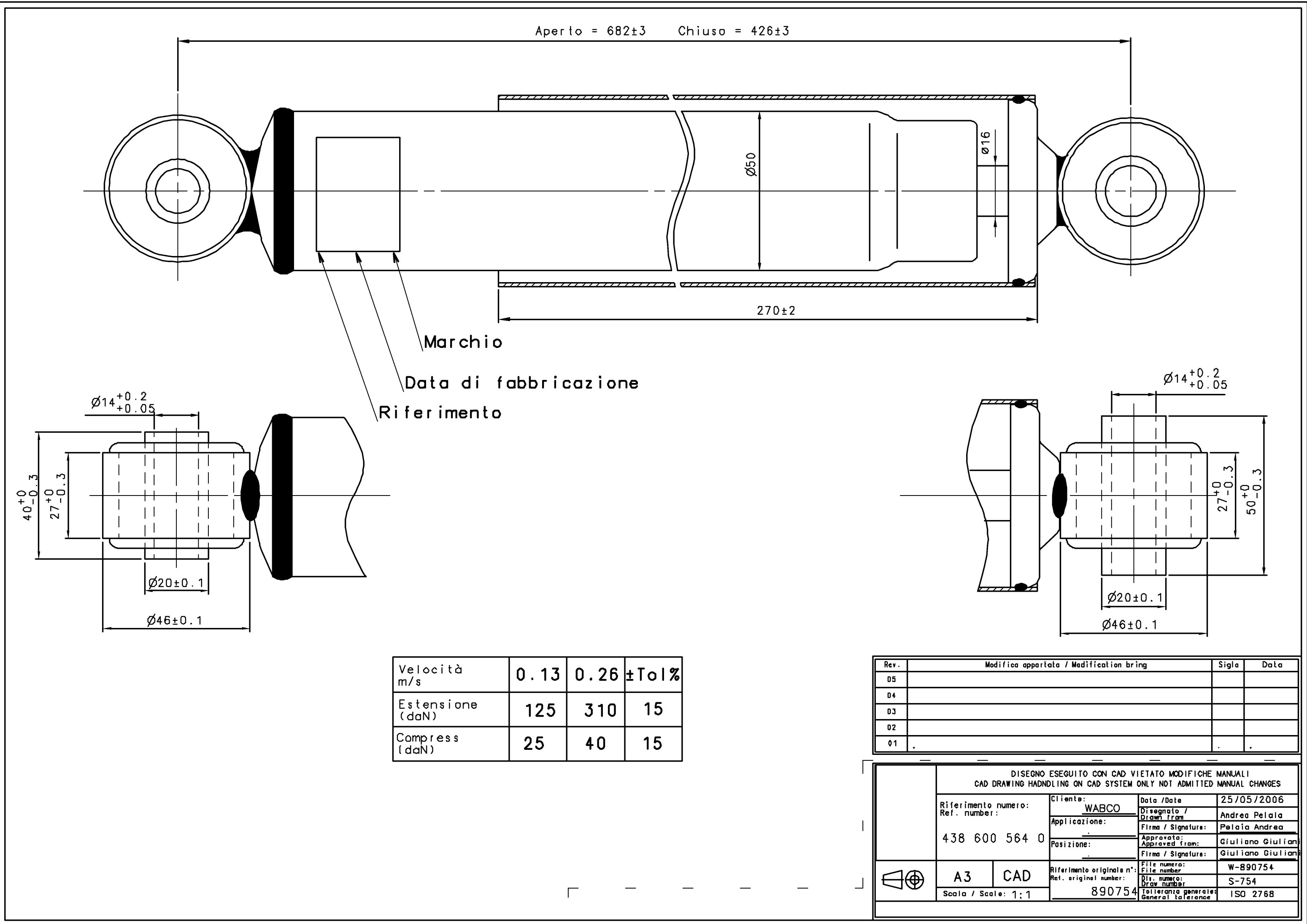


NON E' PERMESSO CONSERVARE A LERZI O RIPRODURRE QUESTO DOCUMENTO, NE UTILIZZARNE IL CONTENUTO O RENDERSI RESPONSABILI PER QUALSIASI DANNO SUBITO O IN FUTURO. TUTTI I DIRITTI RISERVATI DA WABCO E COMPARTIBILI. IL RISARCIMENTO DE' DANNI SUBITI E' FATTA RISERVA DI TUTTI I DIRITTI DERIVANTI DA BREVETTI O MODELLI. TO DIVERTS AND USE OF DERIVATION OF THE CONTENTS IN WHATEVER FORM OR BY ANY MEANS, WITHOUT THE WRITTEN PERMISSION OF WABCO. ALL RIGHTS ARE RESERVED IN THE EVENT OF THE APPEARANCE AND RESULT IN A LIABILITY TO THE PAYMENT OF DAMAGES. THIS DOCUMENT IS THE SUBJECT OF COPYRIGHT. GRANT OF PATENT OR REGISTRATION OF A UTILITY MODEL OR DESIGN.



| | | | |
|---------------------|------|------|-------|
| Velocità m/s | 0.13 | 0.26 | ±To1% |
| Estensione (daN) | 125 | 310 | 15 |
| Compress (daN) | 25 | 40 | 15 |

| Rev. | Modifica apportata / Modification bring | Sigla | Data |
|------|---|-------|------|
| 05 | | | |
| 04 | | | |
| 03 | | | |
| 02 | | | |
| 01 | | | |

| DISEGNO ESEGUITO CON CAD VIETATO MODIFICHE MANUALI CAD DRAWING HANDLING ON CAD SYSTEM ONLY NOT ADMITTED MANUAL CHANGES | | | |
|---|---------------|--|--|
| Riferimento numero: Ref. number: | 438 600 564 0 | Cliente: WABCO | Data / Date 25/05/2006 |
| Disegnato / Drawn from: | | Applicazione: | Disegnato / Drawn from: Andrea Pelala |
| Posizione: | | Firma / Signature: | Firma / Signature: Pelala Andrea |
| Approvato / Approved from: | | Approvato / Approved from: | Approvato / Approved from: Giuliano Giuliani |
| Firma / Signature: | | Firma / Signature: | Firma / Signature: Giuliano Giuliani |
| File numero: File number: | 890754 | Riferimento originale n°: Ref. original number: | File numero: File number: W-890754 |
| Disegnato / Drawn from: | | Disegnato / Drawn from: | Disegnato / Drawn from: S-754 |
| Tolleranza generale: General tolerance: | | Tolleranza generale: General tolerance: | Tolleranza generale: General tolerance: ISO 2768 |

| | | | | | |
|--|---|-------------------------|-----------|----------------------------|--|
| GENERAL SPECIFICATION: JED-334 | | CADAM-DRAWING COPYRIGHT | | WABCO | |
| FURTHER TECHNICAL DATA: | | DATE | SIGNATURE | SHOCK ABSORBER | |
| DOC. CODE: | SHEET: 10 | 04-08-06 | LESZCZUK | DRAWN: | |
| GENERAL TOLERANCES | | CHECKED: | | 04-08-06 | |
| CLASS 1) | RANGE OF NOMINAL DIMENSIONS (± mm) | STANDARDIZATION: | | SUTOR | |
| | ≤50 > 50 >180 >400 | | | | |
| FINE | 0,5 1,0 1,5 2,0 | MASS | SCALE | PRODUCT IDENTIFICATION NO. | |
| MEDIUM | 1,0 2,0 3,0 4,0 | KG | 1:1 | 438 600 564 0 | |
| COARSE | 2,0 3,5 5,0 6,5 | SIZE | T.R.I. | DOC. CODE | SHEET |
| TAPPED HOLES ACC. ISO 4039 / JED-152 | | A 2 | 560 | 605 | 1/1 |
| 1) TOLERANCE CLASS APPLIED CROSSMARKED | | DGN-NO. | REV. | DATE | REPLACEMENT FOR |
| | | | | | |
| | | 100mm | | SHAPE CODE | |
| | | | | EXPERT CODE | 9 4 5 |
| | | | | PRODUCT TYPE | <input type="checkbox"/> <input checked="" type="checkbox"/> |

1089/012/J/04.93
605.653