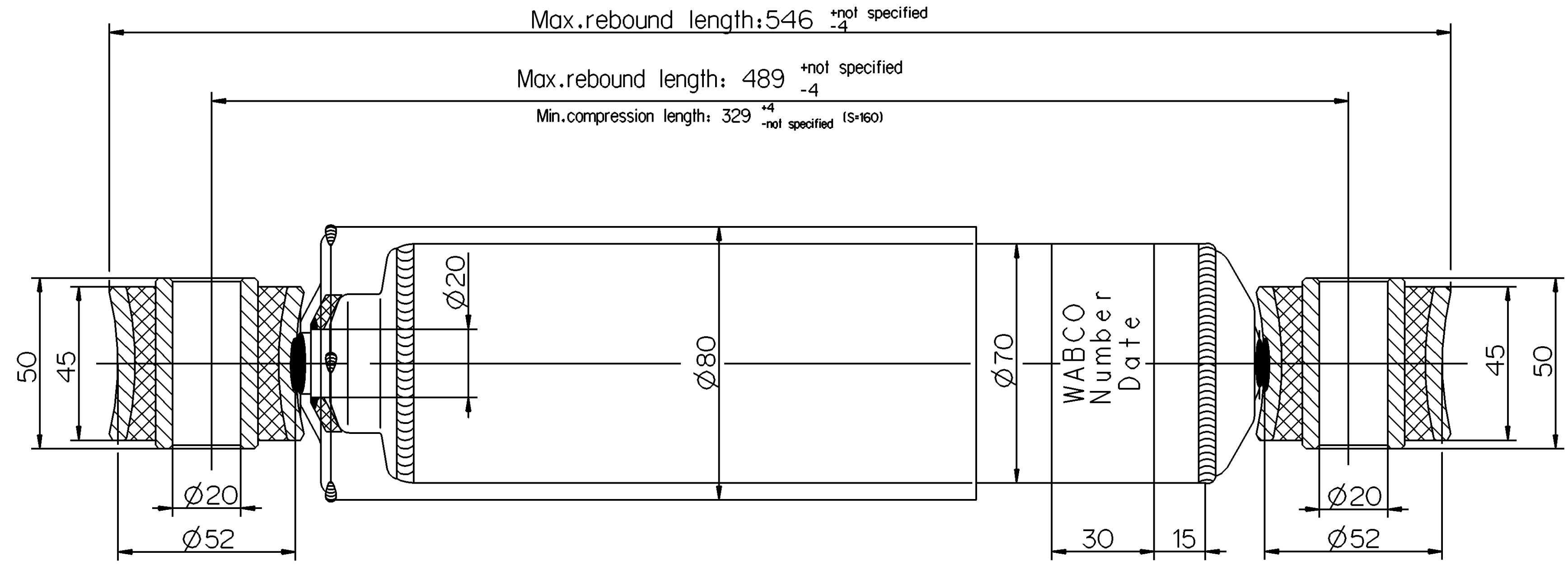


Colour: RAL 9005B Semi-Black



Sample damping force specification -Hydraulic

V (m/s)	0.079	0.157	0.314	0.520	0.750
P f (N)	2450	7930	10200	10785	11220
P y (N)	495	530	695	930	995
S (mm)	60		Rebound (N)		

DESIGNED BY Shikai Zhang	CHECKED BY Chao Zhao	APPROVED BY DATE Dongming Gui	DATE 04/08/2009	WEIGHT (KG) 4.2	SCALE 1:1	FIRST ANGLE METHOD 
ADD INDUSTRY CO., LTD.			SHOCK ABSORBER DRAWING			
			DRAWING NUMBER AHN60314	ADD NO. WABCO No.	438 601 078 0	

Note e permesso consegnare a terzi o riprodurre questo documento, ne utilizzare il contenuto o renderlo comunque noto a terzi...  
 Toute communication ou reproduction de ce document, toute exploitation ou communication de son contenu sont interdites, sauf...  
 Alle Rechte sind vorbehalten. Nachdruck, Vervielfältigung und Verbreitung, auch auszugsweise, ist ohne schriftliche Genehmigung...  
 All rights reserved. No part of this publication may be reproduced, stored in a retrieval system, or transmitted in any form or by any means...

General Specifications: JED-334-0		Copyright WABCO®	
Further Technical Data:		Date	Signature
Doc. Code:	Sheet: To	2009-04-07	D. Jozinski
General Tolerances JED-261		Checked:	
Range of Nominal Dimensions ( ± mm)		2009-04-24 B. Basinski	
Class 1)	≤ 50 > 50 > 180 > 400	Expert	
Fine	0.5 1.0 1.5 2.0	B. BASINSKI	
Medium	1.0 2.0 3.0 4.0	Material No.	
Coarse	2.0 3.5 5.0 6.5	438 601 078 0	
Tapped Holes acc. JED-152	±3°	Doc.Code	Language
1) Tolerance Class Applied Crossmarked	A 1	005	EN
	Pro/E	Revision	1/1
		6961	Replacement for