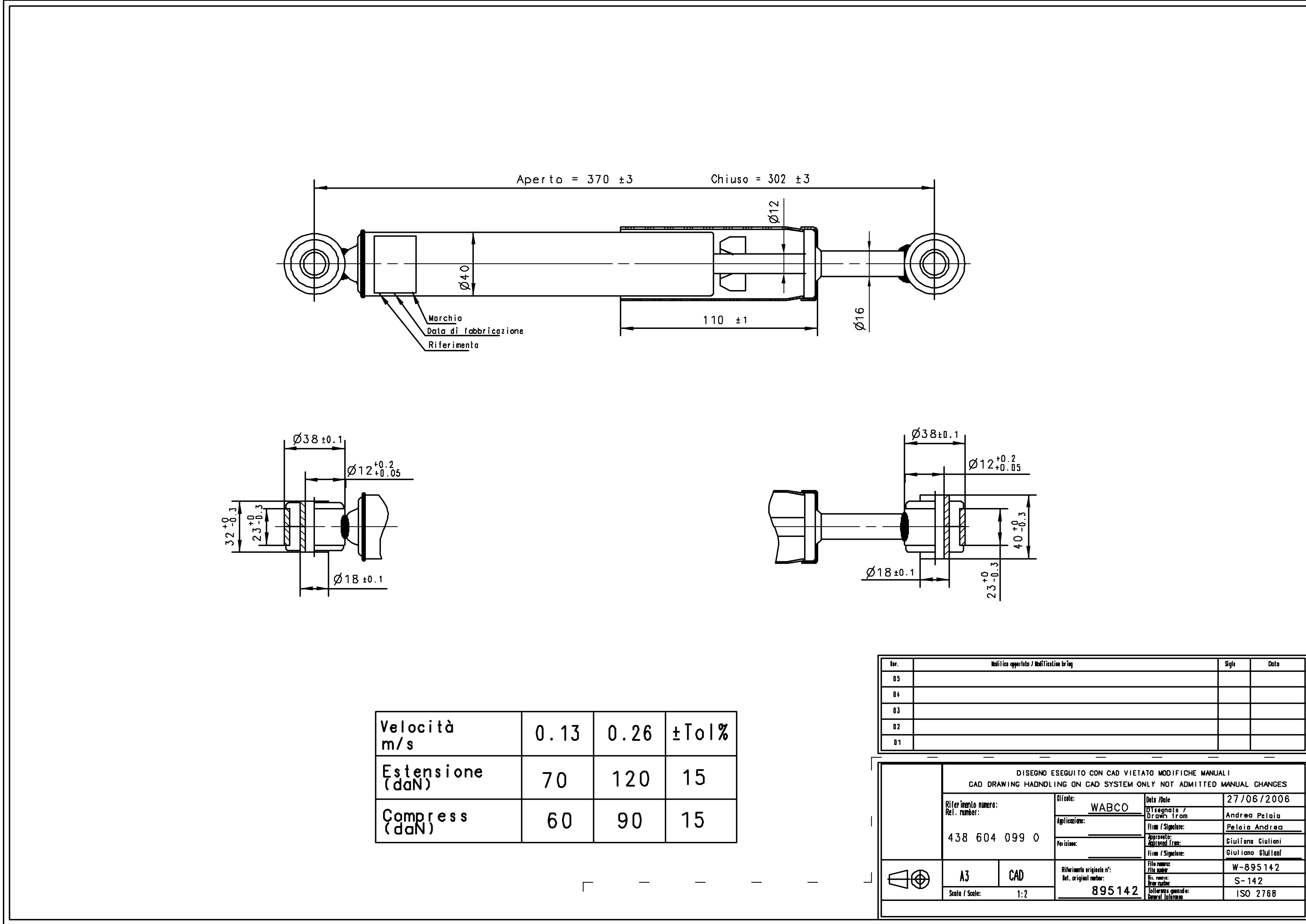


NON È PERMESSO CONSERVARE A TERZI O RIPRODURRE QUESTO DOCUMENTO, NE UTILIZZARNE IL CONTENUTO O RENDERSI RESPONSABILI PER QUALSIASI DANNO SUBITO O IN FUTURO. È FATTA RISERVA DI TUTTI I DIRITTI DERIVANTI DA BREVETTI O MODELLI. TO DIVERTS AND USE OF INFORMATION OF THE CONTENTS OF THIS DOCUMENT IS PROHIBITED. ANY REPRODUCTION OR TRANSMISSION OF THIS DOCUMENT WITHOUT THE WRITTEN PERMISSION OF WABCO IS PROHIBITED. ALL RIGHTS ARE RESERVED IN THE EVENT OF THE APPEARANCE OF PATENT OR REGISTRATION OF A UTILITY MODEL OR DESIGN. THIS DOCUMENT IS THE SUBJECT OF COPYRIGHT.

TOUTE COMMUNICATION OU REPRODUCTION OU COMMUNICATION DE SON CONTENU À TROISIÈMES, OU REPRODUCTION, OU UTILISATION DE SON CONTENU, OU RESPONSABILITÉ POUR QUICUNQUE DANNÉ EN CONSÉQUENCE DE L'UTILISATION DE CE DOCUMENT, EST INTERDITE. TOUS DROITS DE PROPRIÉTÉ INDUSTRIELLE SONT RÉSERVÉS, NOTAMMENT EN MATIÈRE DE BREVETS ET DE MODÈLES. VERBODEN VAN REPRODUCTIE, VERBODEN VAN COMMUNICATIE VAN DE INHOUD VAN HET DOCUMENT EN VERBODEN VAN TOEGANG TOT DE INHOUD VAN HET DOCUMENT. ALLE RECHTEN VOOR PATENTEN, MODELLEN OF ANDERE RECHTEN VOOR OORZAKEN VAN SCHADE, ZIJN VOORBEHOUDEN. DIT DOCUMENT IS DE OORZAKEN VAN AANSPRAKELIJKHEID VOOR SCHADE.

ALL RIGHTS RESERVED. ANY REPRODUCTION OR TRANSMISSION OF THIS DOCUMENT WITHOUT THE WRITTEN PERMISSION OF WABCO IS PROHIBITED. ALL RIGHTS ARE RESERVED IN THE EVENT OF THE APPEARANCE OF PATENT OR REGISTRATION OF A UTILITY MODEL OR DESIGN. THIS DOCUMENT IS THE SUBJECT OF COPYRIGHT.



Velocità m/s	0.13	0.26	±Tol%
Estensione (daN)	70	120	15
Compress (daN)	60	90	15

Rev.	Modifica operata / Modification bring	Signo	Data
05			
04			
03			
02			
01			

DISEGNO ESEGUITO CON CAD VIETATO MODIFICHE MANUALI CAD DRAWING HANDLING ON CAD SYSTEM ONLY NOT ADMITTED MANUAL CHANGES			
Riferimento numero: Ref. number:	438 604 099 0	Titolo: Title:	WABCO
		Disegnato da / Drawn from:	Andrea Palaia
		Firma / Signature:	Palaia Andrea
		Approvato: Approved from:	Giuliana Giuliani
		Firma / Signature:	Giuliana Giuliani
		File name: File name:	W-895142
		Rev. number: Rev. number:	S-142
		Tolleranza standard: Standard tolerance:	ISO 2768
Scale / Scale:	1:2	Riferimento originale n°: Ref. original number:	895142

GENERAL SPECIFICATION: JED-334		CADAM-DRAWING COPYRIGHT		WABCO	
FURTHER TECHNICAL DATA:		DATE	SIGNATURE	DRAWN: LESZCZUK	
DOC. CODE:	SHEET: 10	18-08-06		CHECKED: SUTOR	
GENERAL TOLERANCES		STANDARDIZATION:		PRODUCT IDENTIFICATION NO.	
CLASS 1)	RANGE OF NOMINAL DIMENSIONS (± mm)	MASS	SCALE	438 604 099 0	
	≤50 ≤180 ≤400 >400	KG	1:1	DOC. CODE	SHEET
FINE	0,5 1,0 1,5 2,0	SIZE	T.R.I.	605	1/1
MEDIUM	1,0 2,0 3,0 4,0	A 2	560	REPLACEMENT FOR	
COARSE	2,0 3,5 5,0 6,5	SHAPE CODE			
TAPPED HOLES ACC. ISO 4039 / JED-152		DGN-NO.		REV.	
1) TOLERANCE CLASS APPLIED CROSSMARKED		DATE		DATE	
				100mm	
				EXPERT CODE 9 4 5	
				PRODUCT TYPE	