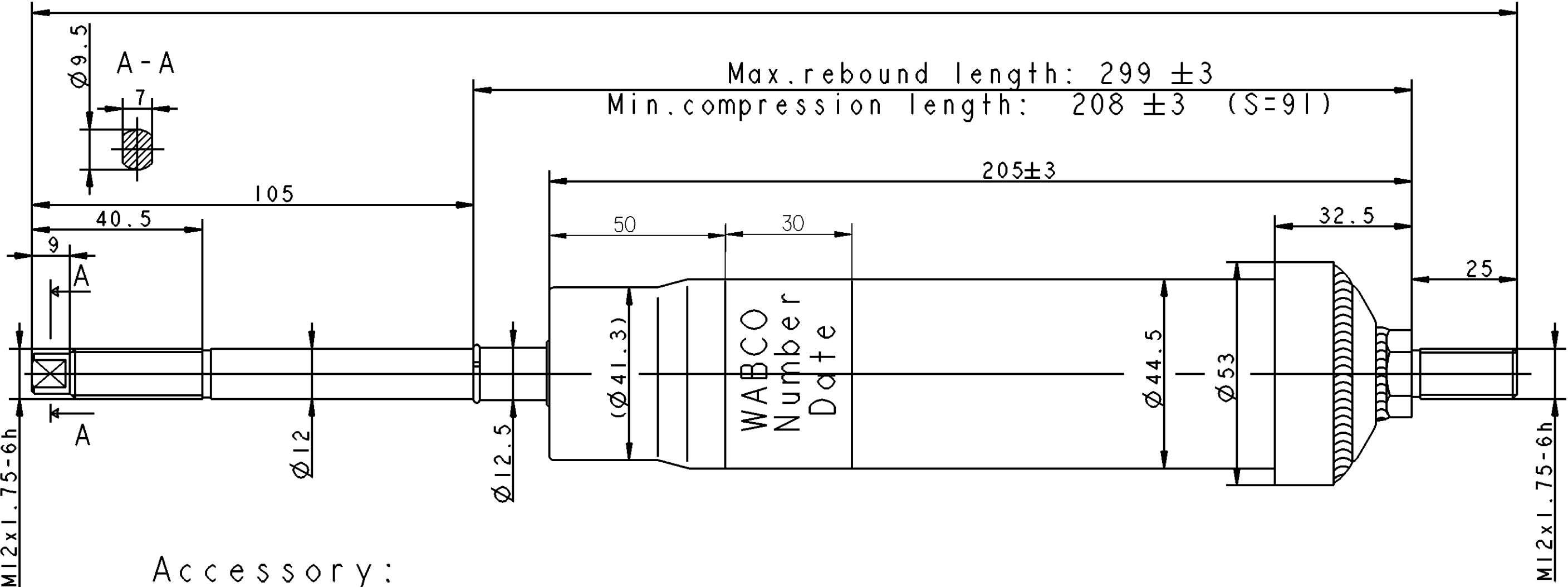
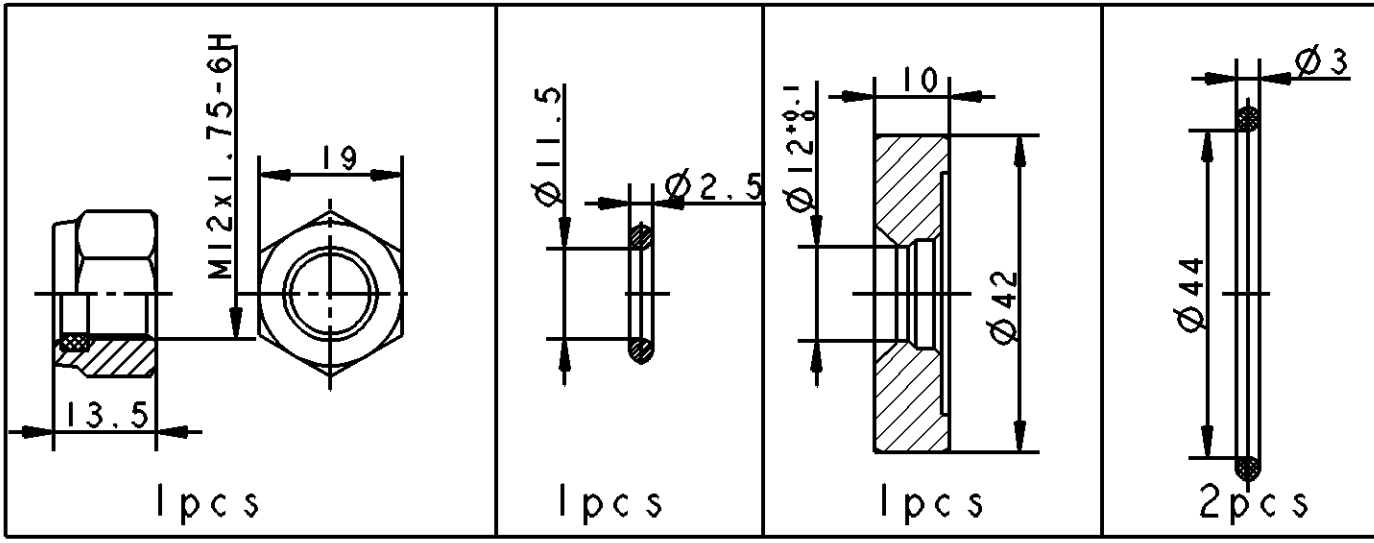


Colour: RAL 9005B Semi-Black

Max.rebound length: 429±3




Accessory:



ADD damping force specification -Hydraulic

V(m/s)	0.079	0.157	0.314	0.520
P f(N)	600	1425	3015	4415
P y(N)	345	670	1345	1860
S(mm)	60		Rebound(N)	

				WEIGHT (kg)	1.5
				REV.	B
				SCALE	1:1 WABCO No. 4386041550
				FIRST ANGLE PROJECTION	ADD No. 671112
LTR.	REVISIONS	CHK'D	E.C.O	DATE	DRAWING No. WGN30079
SHOCK ABSORBER DRAWING					
DRAWING	CHECKED	APPROVED	DATE	 ADD INDUSTRY CO.,LTD	
Bingrong Lin	Yingying Chen	Dongming Gui	08/05/2009		

General Specification: JED-334-0		Copyright WABCO®		
Further Technical Data:		Date	Signature	
Doc. Code:	Sheet: To	2009-09-03	Jasinski	
General Tolerances JED-261		Checked	Hladik	
Range of Nominal Dimensions (± mm)		Expert	B. Bosinski	
Class 1)	≤ 50	> 50 ≤ 180	> 180 ≤ 400	> 400
Fine	0.5	1.0	1.5	2.0
Medium	1.0	2.0	3.0	4.0
Coarse	2.0	3.5	5.0	6.5
Tapped Holes acc. JED-152				
1) Tolerance Class Applied Crossmarked				

WABCO			
SHOCK ABSORBER STÖßDAMPFER AMORTISSEUR AMMORTIZZATORI			
Material No.	Date of first issue:	2009-09-14	
438 604 155 0	Doc.Code	Language	Sheet
	005	ML	1/1
Size	CAD System	ECN-No.	Revision
A 2	Pro/E	121691	6961
Replacement for		Techn. Resp.	

Non e' permesso consegnare o terzi o riprodurre questo documento, ne utilizzare il contenuto o renderlo comunque noto a terzi. E' fatto riserva di tutti i diritti, espressi o non, di brevetto o di modello. Copying of this document and giving it to others and the use or communication of the contents thereof, are forbidden without express authorisation of the manufacturer. The manufacturer assumes no responsibility for the use of the information contained in this document. All rights reserved in the event of the grant of patent or registration of a utility model or design. This document is the subject of copyright.

Toute communication ou reproduction de ce document, toute exploitation ou communication de son contenu sont interdites, sauf autorisation expresse. Tout manquement a cette regle constitue un abus evident et expose son auteur au versement de dommages et interets. Tous droits de brevets industriels reserves, notamment en matiere de brevets et de modeles. Weitergabe sowie Vervielfaelligung dieser Unterlagen, Verwertung und Mitteilung ihres Inhalts nicht gestattet, soweit nicht ausdrücklich zugestanden. Zuwiderhandlungen stellen einen strafrechtlichen Missbrauch dar und verpflichten zu Schadensersatz. Alle Rechte für den Fall der Patentierung oder Gebrauchsmuster-Eintragung vorbehalten.

dwg: 4386041550_005 / Version: 7 sheet: 1 / mfr: 4386041550_1 AD2