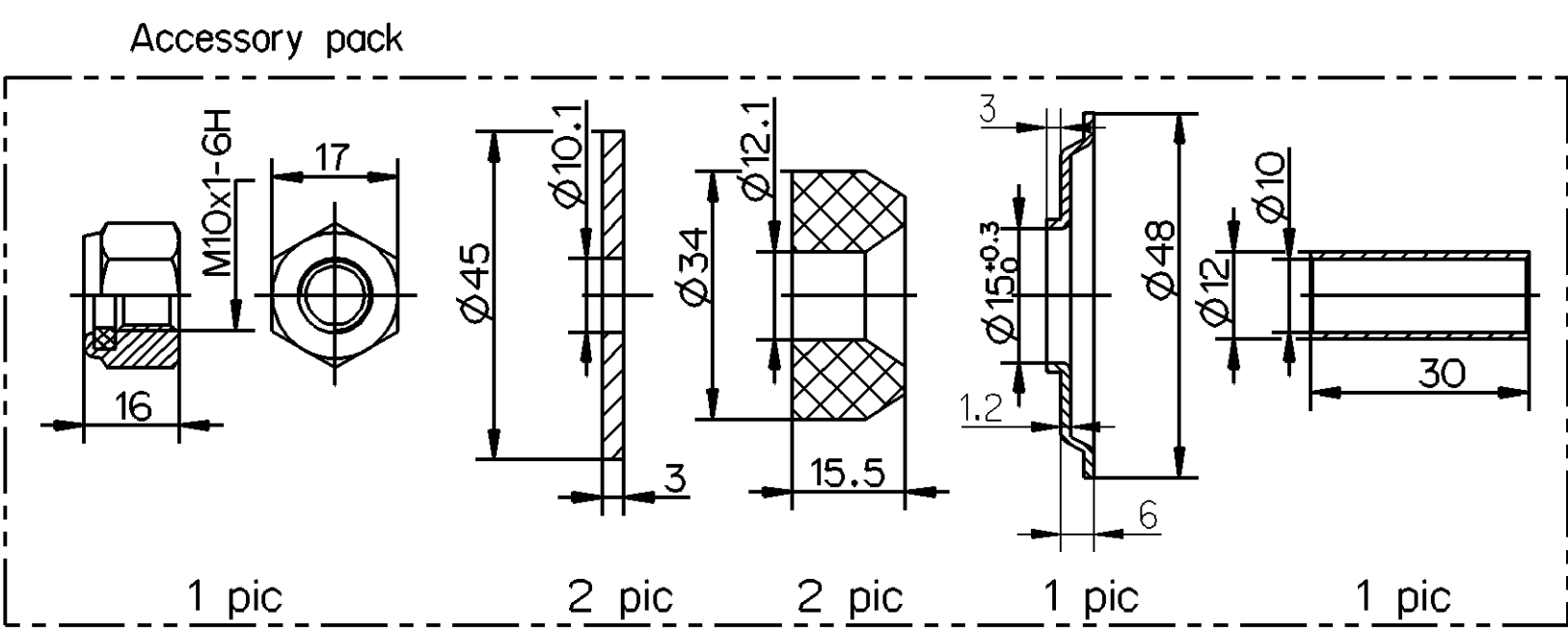
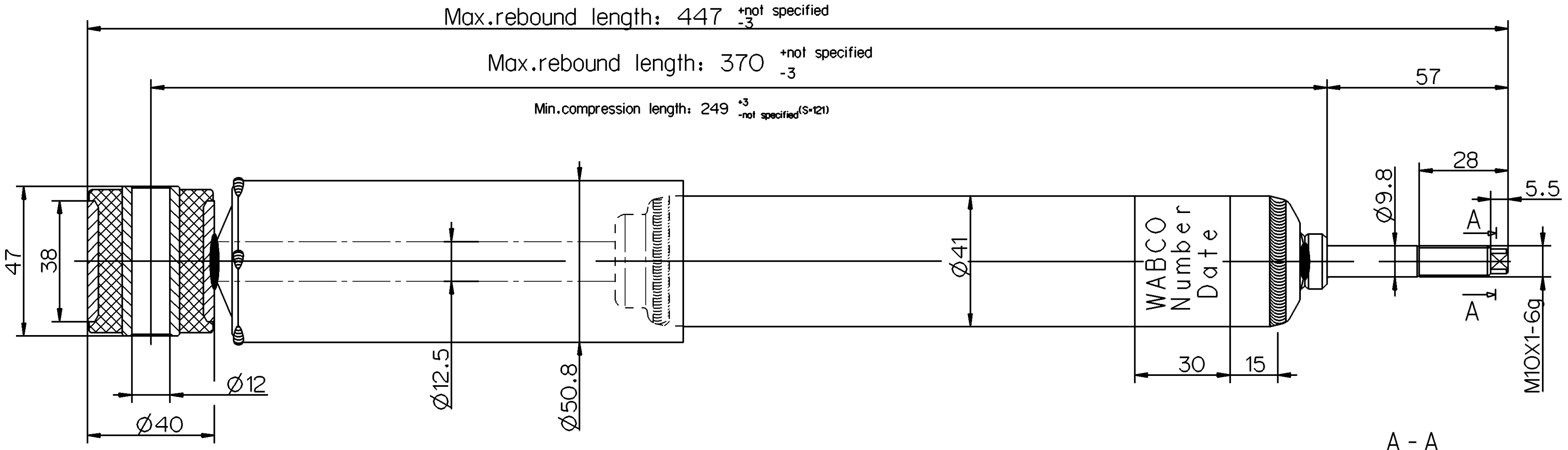


Colour: RAL 9005B Semi-Black



Sample damping force specification -hydraulic

V (m/s)	0.079	0.157	0.314	0.520	0.750
Pf(N)	335	785	1920	3020	3525
Py(N)	560	1340	1790	1930	2085
S (mm)	30		Rebound(N)		

DESIGNED BY Shikai Zhang	CHECKED BY Chao Zhao	APPROVED BY DATE Dongming Gui	DATE 04/08/2009	WEIGHT (KG) 1.4	SCALE 1:1	FIRST ANGLE METHOD
ADD INDUSTRY CO., LTD.			SHOCK ABSORBER DRAWING			
			DRAWING NUMBER WHN30089	ADD NO. WABCO No.	438 604 163 0	

General Specifications: JED-334-0		Copyright WABCO®		
Further Technical Data:		Date	Signature	
Doc. Code	Sheet	2009-04-06	D. Josinski	
General Tolerances JED-261		Checked		
Range of Nominal Dimensions (± mm)		2009-04-24 B. Basinski		
Class	1)	Expert		
Fine	0.5	1.0	1.5	2.0
Medium	1.0	2.0	3.0	4.0
Coarse	2.0	3.5	5.0	6.5
Tapped Holes acc. JED-152		Expert		
1) Tolerance Class Applied Crossmarked		B. BASINSKI		
Material No.		Date of first issue: 2009-04-24		
438 604 163 0		Doc.Code	Language	
1.400 kg		005	EN	
Size CAD System		Sheet 1/1		
A 1 Pro/E		ECN No.	Techn. Resp.	
-		6961	Replacement for	

This communication or reproduction of its content, in whole or in part, is prohibited. Any use of this document without the express written consent of WABCO is prohibited. WABCO is not responsible for any damage or loss resulting from the use of this document.

Tutti i diritti sono riservati. È vietata espressamente la ristampa o l'uso non autorizzato senza permesso scritto dalla WABCO. La WABCO non è responsabile per i danni o le perdite derivanti dall'uso di questo documento.

All rights reserved. Any use of this document without the express written consent of WABCO is prohibited. WABCO is not responsible for any damage or loss resulting from the use of this document.