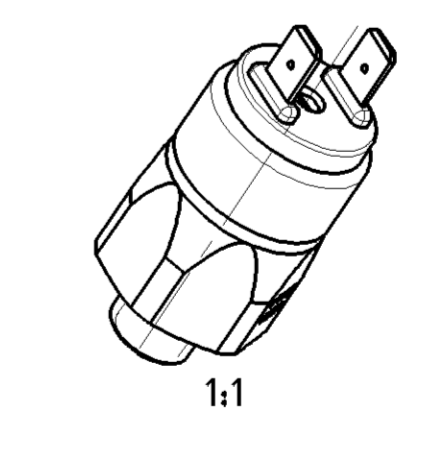


CHARACTERISTICS KENNDATEN	
NORMALLY OPEN CONTACT EINSCHALTER	NOC
TEST ACCORDING TO PRUEFUNG NACH	DIN 72759
MEDIUM MEDIUM	AIR, MINERAL OIL, WATER LUFT, MINERALOEL, WASSER
WORKING PRESSURE BETRIEBSDRUCK	MAX. 200 bar
THERMAL RANGE OF APPLICATION THERMISCHER ANWENDUNGSBEREICH	-30...+100 °C
SWITCHING CAPACITY SCHALTLEISTUNG	MAX. 100 W (OHMIC LOAD) WITH INDUCTIVE LOAD (E. G. SOLENOIDS) RELAY SWITCHES 445 003 ... . HAVE TO BE CONNECTED WITH IN SERIES MAX. 100 W (OHMSCHER BELASTUNG) BEI INDUKTIVER BELASTUNG (Z. B. MAGNETE) SIND SCHALTSETZE 445 003 ... . VORZUSCHALTEN
NOMINAL VOLTAGE NENNSPANNUNG	MAX. 42 V DC
DEGREE OF PROTECTION ACCORDING TO SCHUTZART NACH	IEC 529 DIN 40050
BODY GEGEAUSE	IP 65
SWITCH (WITH RECEPTACLE 6.3 DIN 46247 AND APPLICATION OF TWO CABLES OF Ø2.2 AND OF A PROTECTIVE SLEEVE 897 754 830 4) SCHALTER (MIT STECKHUELSE 6.3 DIN 46247 UND VERWENDUNG ZWEIER KABEL Ø2.2 UND SCHUTZHUELLE 897 754 830 4)	IP 65
FLAT PIN TERMINAL 6.3 DIN 46248 (WITH RECEPTACLE 6.3 DIN 46247) FLACHSTECKER 6.3 DIN 46248 (MIT STECKHUELSE 6.3 DIN 46247)	IP 00

NOTE BEMERKUNG			
1 TORQUE ANZUGSMOMENT	M12x1.5		MAX. 30 Nm
2 MARKING STAMPED KENNZEICHNUNG EINGEPRAEGT	WABCO NO. WABCO-NR. DATE OF MANUFACTURE HERSTELLDATUM		XX
3 SEALING SURFACE DICHTFLAECHE	PRESSURE RANGE WITH TOLERANCE SCHALTD RUCK MIT TOLERANZ		E
4 ADJUSTING SCREW FOR SWITCH PRESSURE EINSTELLSCHRAUBE FUER SCHALTD RUCK	TYPE OF SWITCH: MAKE CONTACT SCHALTERTYP: EINSCHALTER		



WABCO NUMBER WABCO NUMMER	SWITCH PRESSURE SCHALTD RUCK	EXCESS PRESSURE UEBERDRUCK	THREAD GEWINDE	SWITCH ADJUSTED AT	MATERIAL OF BODY/SURFACE PROTECTION GEGEAUSEWERKSTOFF/OBERFLAECHENSCHUTZ	FLAT PIN TERMINAL/SURFACE PROTECTION FLACHSTECKER/OBERFLAECHENSCHUTZ
441 014 055 0	1 - 10 bar	300 bar	X 1	N/A	FE / JED-256	JED-594.1
441 014 070 0	54 ± 5 bar	300 bar	X 1	FALLING	FE / JED-256	JED-594.1
441 014 082 0	26 ± 2 bar	300 bar	X 1	RISING	FE / JED-256	JED-594.1
441 014 084 0	2.5 ± 0.3	300 bar	X 1	RISING	FE / JED-256	JED-594.1

General Specification: ISO 8015, JED-334-1, Size ISO 14405 LP

Copyright WABCO®

Doc. Code: Sheets: To: Date: Signature: 2023-03-20 Markuszewski

Doc. Code: Language: Sheet: 2023-03-23 Grundker

Material No.: 441 014 304 0

Doc. Code: Language: Sheet: 5033 EN 1/1

Mass: 0.070 kg

Scale: 2:1 (1:1)

Size: A 1 CREO

EDN No.: 506342

Revision: tx L

Techn. Resp.: 5090.EM

Replacement for:

Non è permesso copiare o riprodurre questo documento, né utilizzare il contenuto o i marchi commerciali senza permesso scritto dalla WABCO. È vietata espressamente la ristampa o l'uso non autorizzato. Toute réimpression ou utilisation non autorisée sans la permission écrite de la WABCO est formellement interdite. Toute utilisation non autorisée sera considérée comme une violation des lois en vigueur. All rights reserved. No part of this document may be reproduced, stored in a retrieval system, or transmitted in any form or by any means, electronic, mechanical, photocopying, recording, or by any information storage and retrieval system, without the prior written permission of WABCO. All rights reserved.