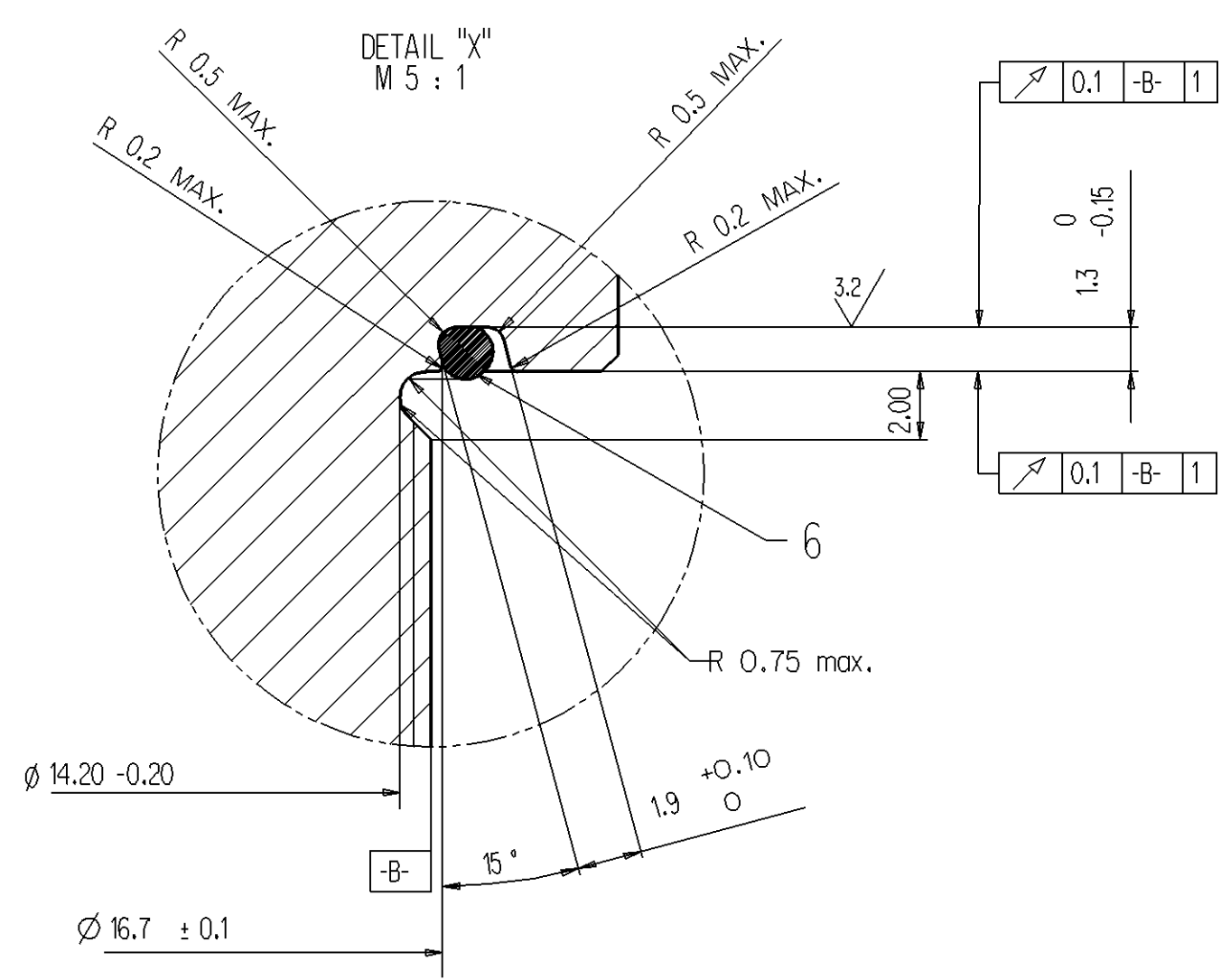
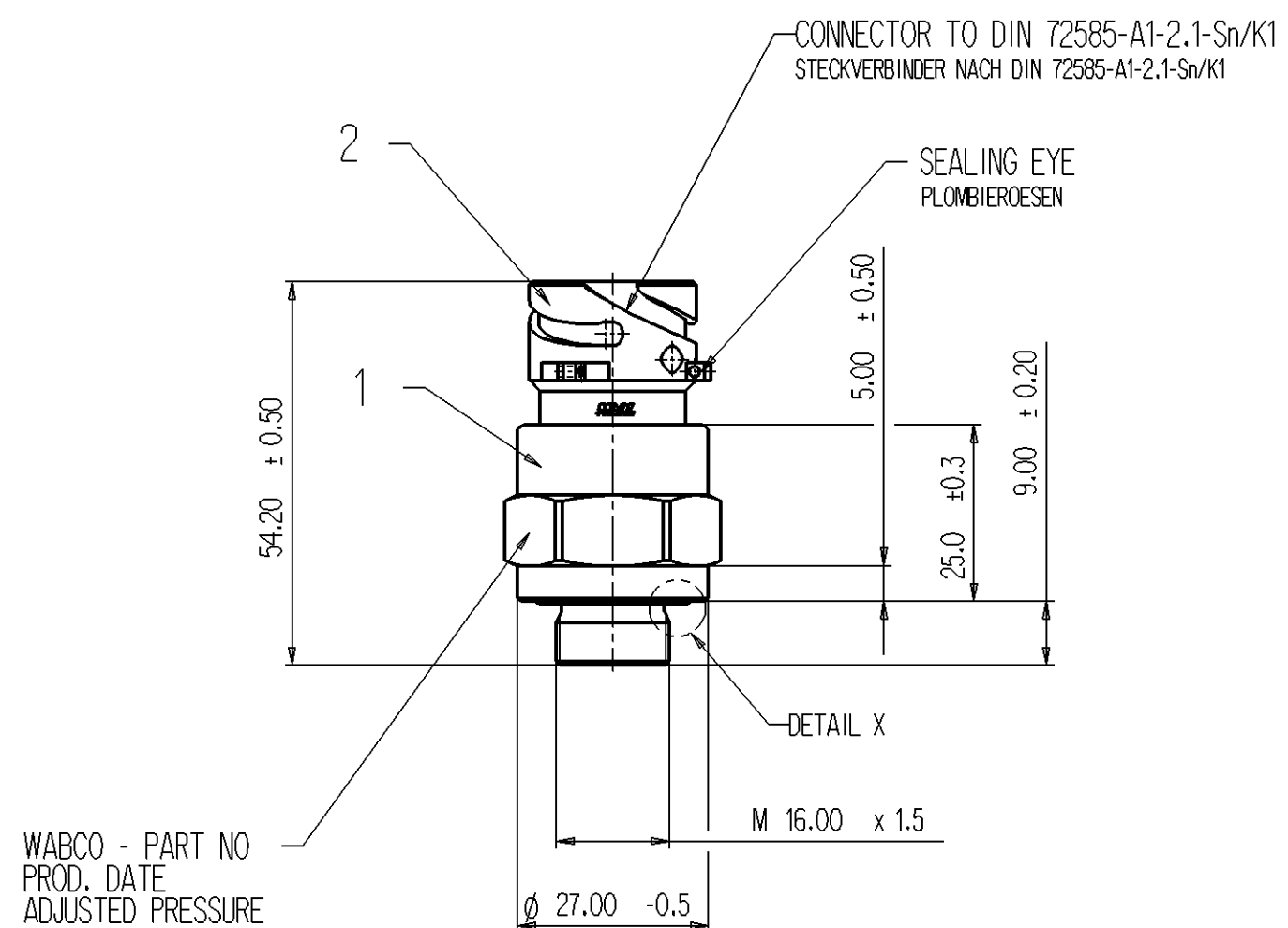


Non e' permesso consegnare o terzi o riprodurre questo documento, ne utilizzare il contenuto o renderlo comunque noto a terzi senza permesso scritto dalla WABCO. E' vietata espressamente la ristampa o l'uso non autorizzato in qualsiasi forma o con qualsiasi mezzo, elettronico o meccanico, senza permesso scritto dalla WABCO. E' vietata espressamente la ristampa o l'uso non autorizzato in qualsiasi forma o con qualsiasi mezzo, elettronico o meccanico, senza permesso scritto dalla WABCO.

Toute communication ou reproduction de ce document, toute exploitation ou communication de son contenu sont interdites, sauf autorisation expresse. Tout manquement a cette regle constitue un abus evident et expose son auteur au versement de dommages et interets. Toute utilisation non autorisee de ce document est formellement interdite. Toute utilisation non autorisee de ce document est formellement interdite.



**TECHNICAL DATA**

SET PRESSURE: 0,4 ± 0,15 BAR

OVER PRESSURE SAFETY : 100 BAR

OPERATING TEMPERATURE: -40 ° to +80 °C

MEDIUM: ATMOSPHERIC COMPRESSED-AIR

HYSTERESE. MAX. 0,2 BAR

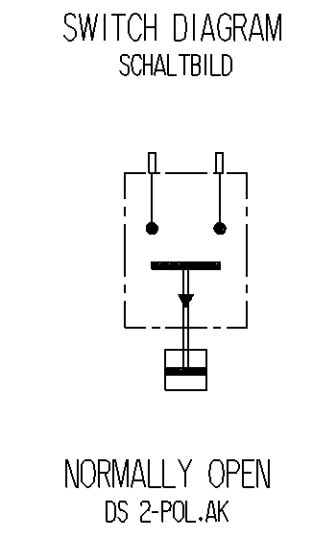
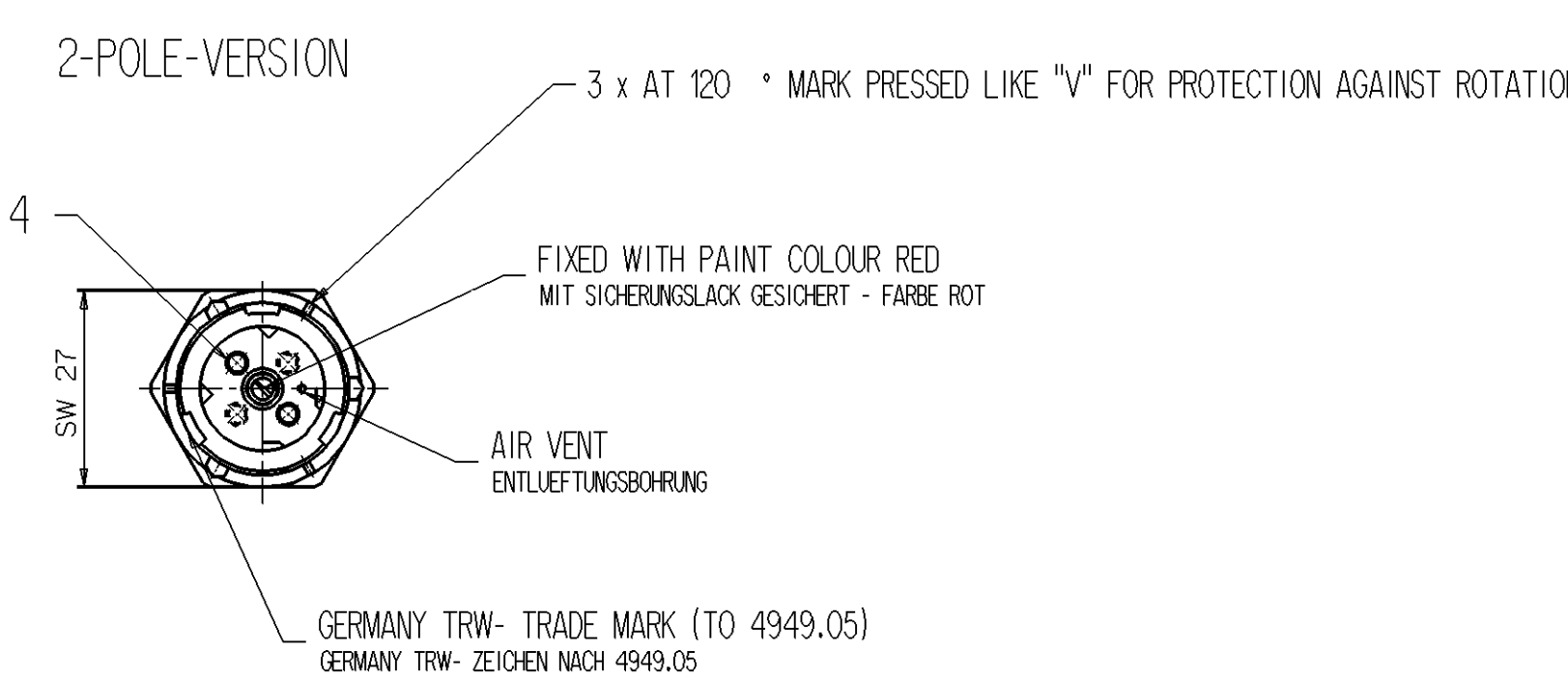
RATED VOLTAGE: 12/24V

ELEKTRICAL LOAD: 5 mA MINIMUM

ENDURANCE TEST: 100 000 CYCLES

TEST TO PROTECTION: IP 69 K TO DIN 40 050 WITH CABLE CONN.

PRESSURE INCREASE AT LEAST: 1BAR/SEC



**TECHNISCHE DATEN**

EINSTELLDRUCK: 0,4 ± 0,15 BAR

UEBERDRUCKSICHERHEIT: 100 BAR

BETRIEBSTEMPERATUR: -40 ° BIS +80 °C

DRUCKMEDIUM: ATMOSPHAERISCHE DRUCKLUFT

HYSTERESE: MAX.0,2 BAR

NENNSPANUNG: 12/ 24V

NENNSTROM: 5 mA MINIMAL

LEBENSDAUER: 100 000 ZYKLEN

PRUEFUNG: NACH

SCHUTZART: IP 69 K NACH DIN 40 050 MIT GEGENSTECKER

DRUCKANSTIEG MINDESTENS: 1 BAR/SEC

| POS. (POS.) | DESCRIPTION (BENENNUNG)       | MATERIAL (WERKSTOFF)                        | SURFACE FINISH (OBERFLAECHE)                             |
|-------------|-------------------------------|---|--|
| 1           | HOUSING (GEBAEUSE)            | 95MFPb 28 100% CRACK PROOFED (RISSGEPRUEFT) | ZINC GALVANIZED 12-16 µm - BLUE PASSIVATED (VERZINKT)    |
| 2           | INSULATION (ISOLIERTEIL)      | ULTRAMID A3 W06                             |  |
| --          | CONTACT PLATE (KONTAKTPLATTE) | Cu Zn 28 F36                                | GOLD ELECTRO PLATING 0.002-0.004 mm GALVANISCH VERGOLDET |
| 4           | ROUND PIN (RUNDSTECKER)       | Cu Zn 38 Pb F42                             | TIN GALVANIZED 4 - 6 µm (VERZINNT)                       |
| --          | MEMBRANE                      | KAPTON 300 FN929                            |  |
| 6           | O-RING                        | HNR 16.1 x 1.6                              | TREATED WITH MAX WAX (BESCHICHTET MIT MAX WAX)           |
| --          | O-RING                        | Ø 16,0 x 1,4 SILICON MVQ70                  | GETEMPET   |
| --          | O-RING                        | HNR 70 22,6 x 1,3                           | GETEMPET   |

|  |  |  |           |                           |  |
|--|--|--|-----------|---------------------------|--|
| General Specification: JED-334-0             |  | Copyright WABCO®                       |           | <b>WABCO</b>              |  |
| Further Technical Data:                      |  | Date                                   | Signature | Date                      |  |
| Doc. Code: Sheet: To                         |  | 2006-06-08                             | BIESTER   | 2006-06-08                |  |
| General Tolerances JED-261                   |  | Checked                                |           | Expert                    |  |
| Class 1) Range of Nominal Dimensions ( ± mm) |  | 2006-06-13                             |           | Hoefler                   |  |
| Fine   |  | 0,5                                    |           | 1,0                       |  |
| Medium                                       |  | 1,0                                    |           | 2,0                       |  |
| Coarse                                       |  | 2,0                                    |           | 3,5                       |  |
| Tapped Holes acc. JED-152                    |  | LAAGES                                 |           | Material No.              |  |
| State of Revision                            |  | 1) Tolerance Class Applied Crossmarked |           | WABCO Id. No.: 4410145010 |  |
| A 2  |  | 650                                    |           | 441 014 501 0             |  |
| Function Code                                |  | CAD System                             |           | Prod.Type                 |  |
| Pro/E  |  | 9 1 X                                  |           | Replacement for           |  |
| 884 042 771 4                                |  | 100mm                                  |           |                           |  |