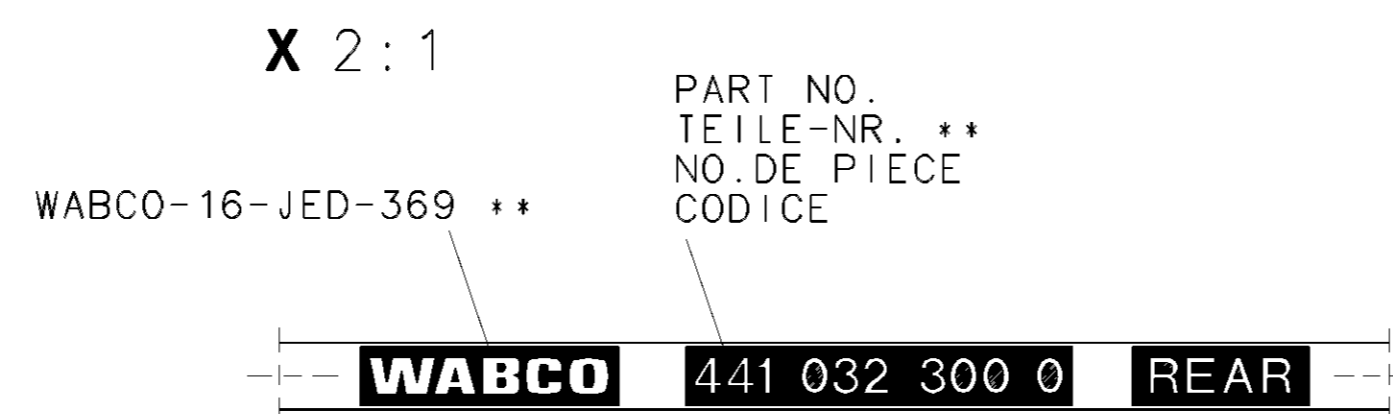
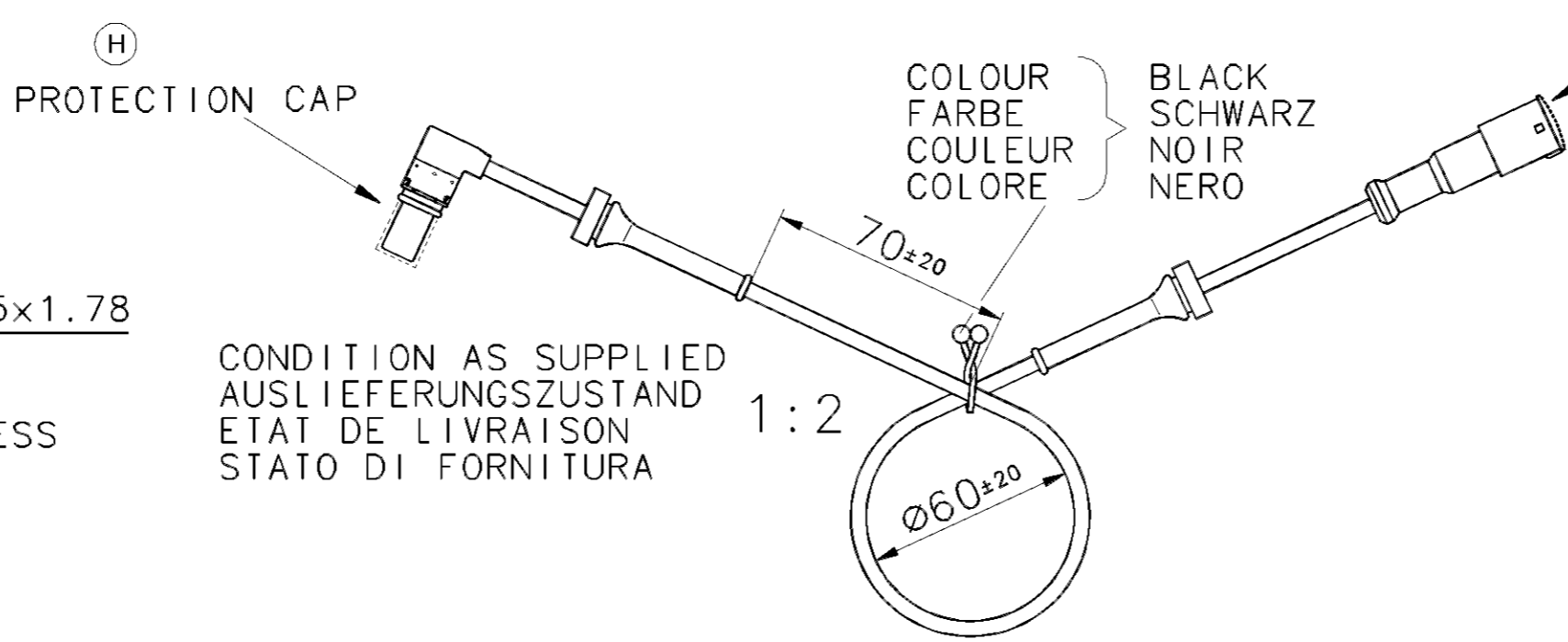


----- ON JACKET SMALL FLATTENED AREA (LENGTH MAX.3) ADMISSIBLE



(H) PROTECTION CAP TO BE USED FOR DELIVERY

DUST CAP 898 011 550 4 NOT BE FITTED TO SENSOR - INCLUDE IN SEPERATE BOX
SCHUTZKAPPE 898 011 550 4 WIRD NICHT AUFGESTECKT-WIRD SEPERAT MITGELIEFERT

- * TWO CORE CABLE
LEITUNG ZWEIADRIG
CABLE A DEUX CONDUCTEURS
CAVO A DUE CONDUTORI } THERMORAD
2x0.5mm²
ASC 77799 A
- ** ABRASION RESISTANT PRINT
ABRIEFESTER AUFDRUCK
RESISTANTE A L'ABRASION
RESISTENTE ALL'ABRASIONE } RAL 9001
- BEND RADIUS CABLE
BIEGERADIUS KABEL
RAYON DE COURBURE DE CABLE
RAGGIO DI CURVATURA DEL CAVO } R 15 MIN, $\sphericalangle 90^\circ$
- STRAIN RELIEF CABLE
ZUGENTLASTUNG KABEL
ARRET DE CABLE
SCARICO DI TRAZIONE DEL CAVO } MAX. 50N ^(1s) $\sphericalangle 20^\circ$
- COIL RESISTANCE
SPULENWIDERSTAND
RESISTANCE DE BOBINE
RESISTENZA DELLA BOBINA } 1050 ±100 Ω $\sphericalangle 20^\circ$

- I -40°C... +150°C
+200°C [1h]
- II -40°C... +150°C
+180°C [1h]
- III -40°C... +180°C
+220°C [1h]
- IV -40°C... +80°C

TYPE OF PROTECTION (IN CONNECTION WITH PLUG)
SCHUTZART (IN VERBINDUNG MIT STECKER) } IP 68 → EN 60529/IEC 529
MODE DE PROTECTION (DANS CONNECTION AVEC FICHE) } IP 69K → DIN 40050 BL.9
TIPO DI PROTEZIONE (NELLE INAUTIVO CON SPINOTTO)

FOR FURTHER TECHNICAL DATA SEE PRODUCT SPECIFICATION
WEITERE TECHNISCHE DATEN SIEHE PRODUKT SPEZIFIKATION } 441 032 300 0
POUR AUTRES DONNEES TECHNIQUES VOIR PRODUCT SPECIFICATION
PER ULTERIORI DATI TECNICI VEDERE SPECIFICA DI PRODOTTO

GENERAL SPECIFICATION: JED-334		CADAM-DRAWING COPYRIGHT		WABCO	
FURTHER TECHNICAL DATA:		DATE: 18-02-07		SIGNATURE: MARKUSZEWSKI	
DOC. CODE: SHEET: TO		175651 2x H 18-02-07		18-02-07	
GENERAL TOLERANCES		068376 1x G 99-08-04		CHECKED: GRUENDKER	
RANGE OF NOMINAL DIMENSIONS (± mm)		068358 1x F 99-04-15		STANDARDIZATION:	
CLASS 1)	≤50	>50 ≤180	>180 ≤400	064057 1x E 98-04-14	
	±0.1	±0.15	±0.2	064035 1x D 98-01-27	
FINE	0.5	1.0	1.5	064027 1x C 97-11-07	
MEDIUM	1.0	2.0	3.0	064003 3x B 97-07-25	
COARSE	2.0	3.5	5.0	TAPPED HOLES ACC. ISO 4039 / JED-152	
TAPED HOLES ACC. ISO 4039 / JED-152		061594 3x A 97-04-21		DCN-NO. REV. DATE	
1) TOLERANCE CLASS APPLIED CROSSMARKED		A 2 141		SHAPE CODE	
		REPLACEMENT FOR		884 010 086 0	

NON È PERMESSO CONCESSIONE A TERZI O RIPRODURRE QUESTO DOCUMENTO. NE UTILIZZARNE IL CONTENUTO O RENDERSI RESPONSABILI PER QUALSIASI DANNI SUBITI O CAUSATI. È FATTA RISERVA DI TUTTI I DIRITTI DERIVANTI DA BREVETTI O MODELLI. COPIING OF THIS DOCUMENT AND ITS CONTENTS WITHOUT THE WRITTEN PERMISSION OF WABCO IS STRICTLY PROHIBITED. ALL RIGHTS ARE RESERVED IN THE EVENT OF THE GRANT OF PATENT OR REGISTRATION OF A UTILITY MODEL OR DESIGN. THIS DOCUMENT IS THE SUBJECT OF COPYRIGHT.

1009/012/3/04-93 605 653